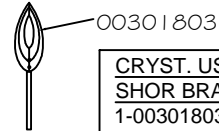
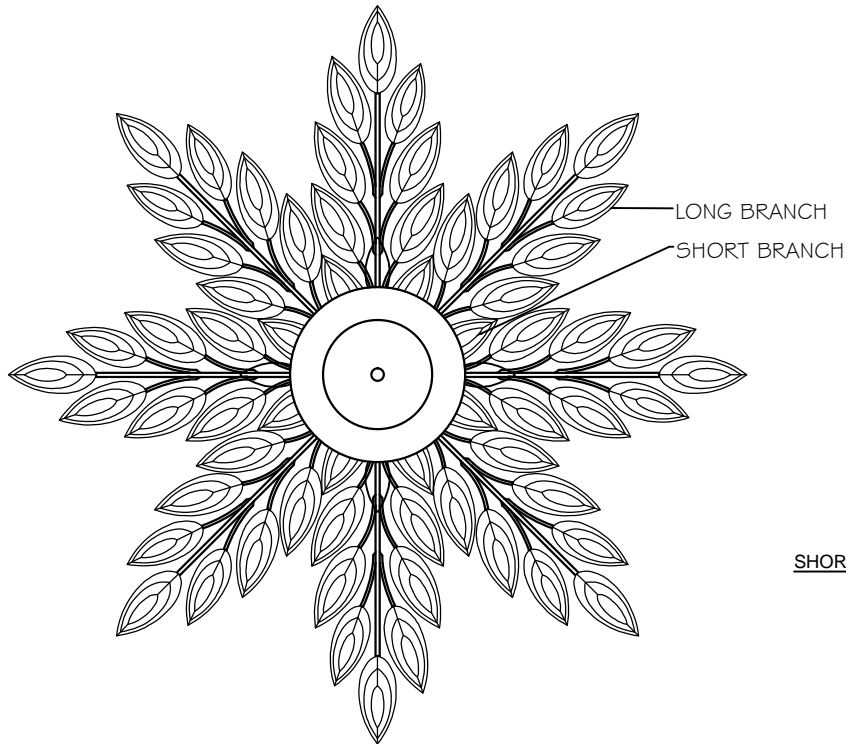
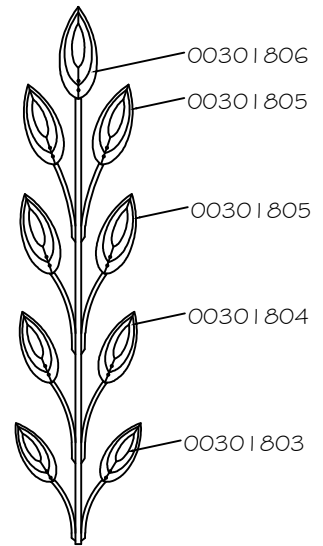
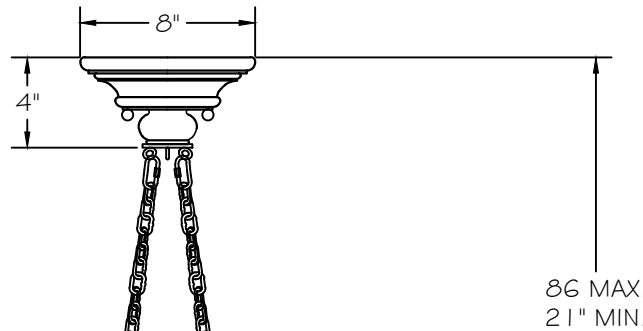


CUSTOMER REFERENCE DRAWING



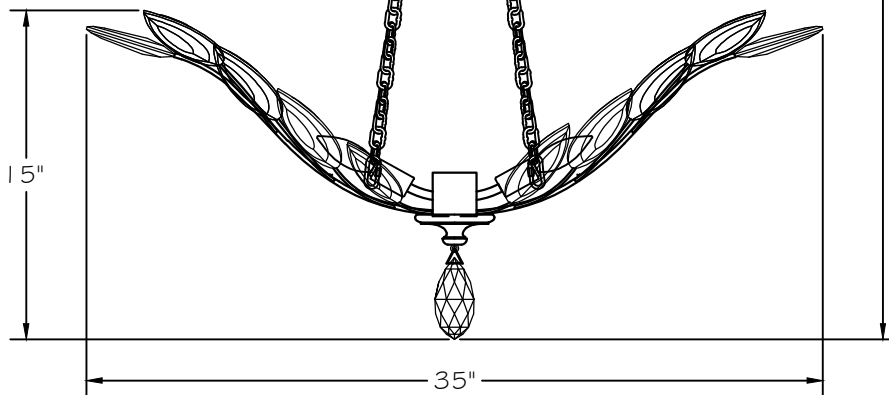
CRYST. USAGE BY  
SHORT BRANCH:  
1-00301803----- (X8)

SHORT BRANCH



LONG BRANCH

CRYST. USAGE BY  
LONG BRANCH:  
1-00301806----- (X8)  
2-00301805----- (X32)  
3-00301804----- (X16)  
4-00301803----- (X16)



STYLE CONFIGURATIONS:

-ST SILVER	776340 GOLD	-SF4 SILVER	-SF3 GOLD
------------	-------------	-------------	-----------



This drawing, specifications and the product depicted are the exclusive property of Fine Art Handcrafted Lighting®. In compliance with US copyright and patent requirements, notice is hereby given that this document and the product depicted shall not be copied, altered or used in any manner without the expressed written consent of Fine Art Handcrafted Lighting®.

www.finearthl.com Tel:(305) 821-3850 Fax:(305) 513-5736  
FINE ART LAMPS®

STYLE NUMBER:  
**753640**  
DATE:  
**4/17/2020**