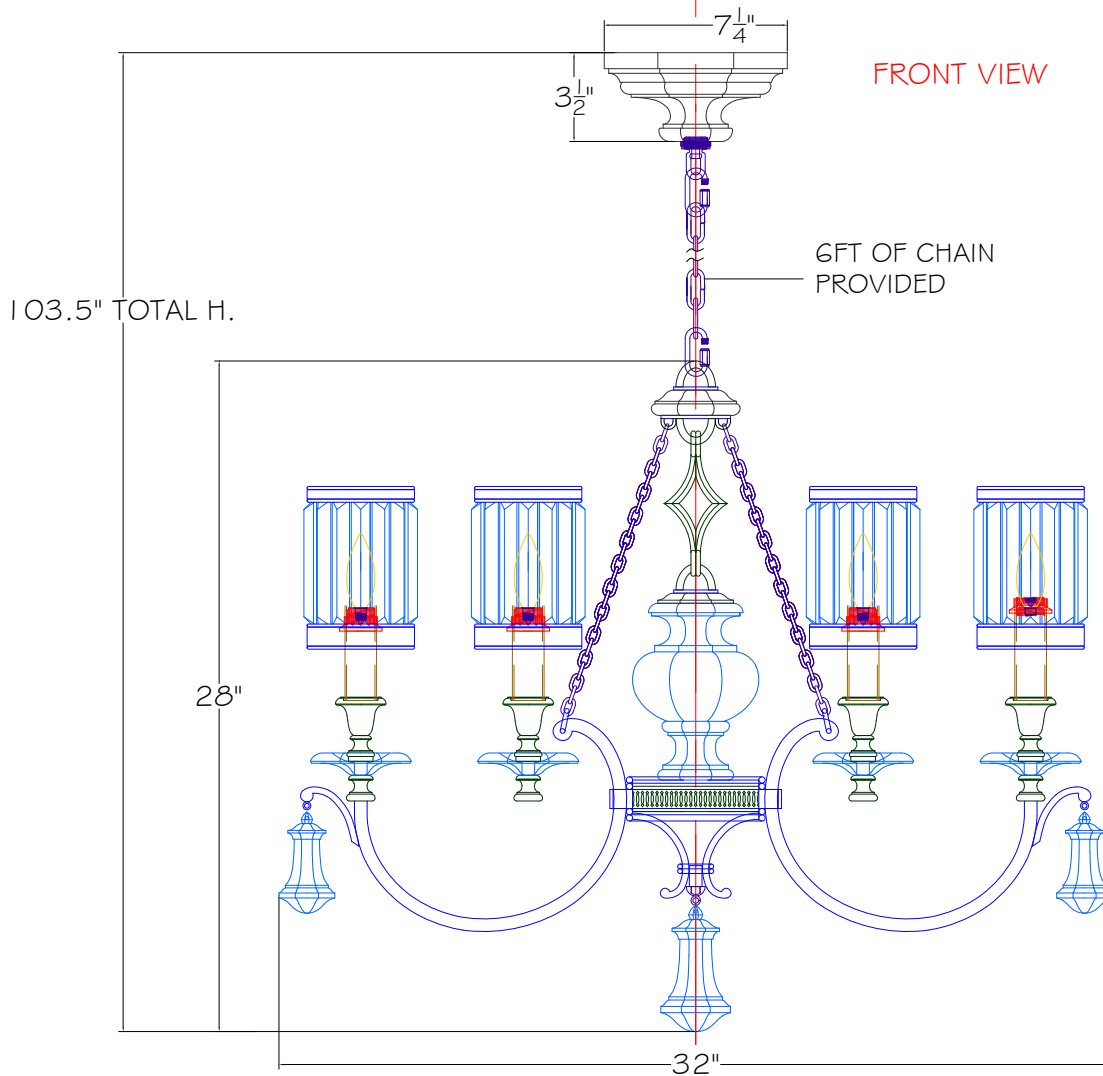
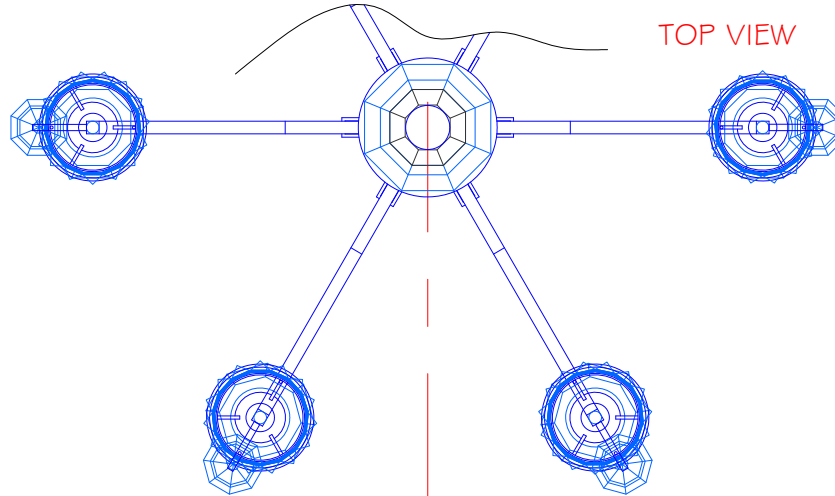


# CUSTOMER REFERENCE INSTRUCTIONS

REV.	ECN # IF APPLIC.	REVISION DESCRIPTION	REQD. BY	DRAFTER	DATE
1	NA	ORIGINAL RELEASED VERSION	NA	MAR	11/12/09
2	N/A	UPDATE		MAR	11/4/10



*Fine Art*  
L A M P S

This drawing and specifications are the exclusive property of BLUMBERG INDUSTRIES, INC. issued in strict confidence and shall not, without the prior written permission of BLUMBERG INDUSTRIES, INC., be produced, copied or used for any purpose whatsoever except the manufacture articles for FINE ART LAMPS.

5770-5772 Miami Lakes Dr. East / Miami Lakes, FL 33014  
Ph: (305) 821-3850 FAX: (305) 821-1564

STYLE NUMBER: 595440ST

PART NUMBER: CUSTOM

ASSY. INSTRUCTION TEMPLATE

DRAFTER: MAR

STYLE ENGINEER: MC

DATE: 11/4/10

REVISION: 2

SHEET: 1 / 1