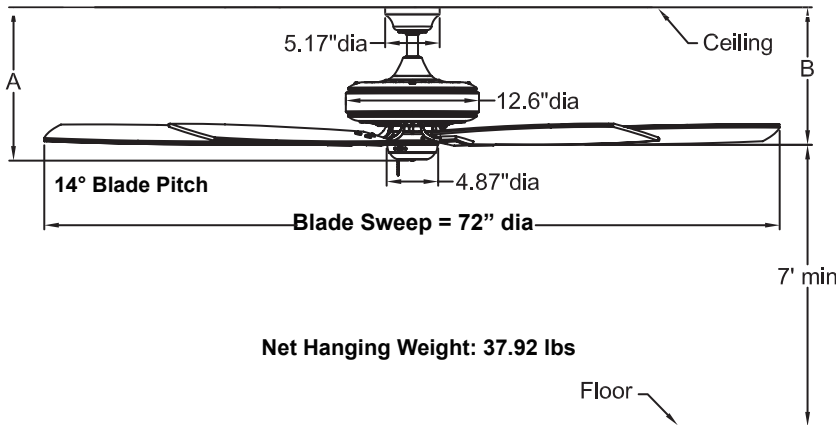


EDGEWOOD® SERIES

TF721** -220 Supreme Fan



	A	B
Fan w/4.5" downrod	14.51"	13.01"
Fan w/12" downrod	22.01"	20.51"
Fan w/18" downrod	28.01"	26.51"
Fan w/24" downrod	34.01"	32.51"
Fan w/36" downrod	46.01"	44.51"
Fan w/48" downrod	58.01"	56.51"
Fan w/60" downrod	70.01"	68.51"
Fan w/72" downrod	82.01"	80.51"

INSTALLATION REQUIREMENTS:

Fan must be attached to a securely anchored electrical junction box capable of withstanding a load of at least 50 lbs.

ELECTRICAL REQUIREMENTS:

Requires a grounded electrical supply line of 220~240 volts AC, 50Hz, 5 amp circuit.

MOTOR SPECS:

212x35-220 motor is designed for optimal performance with this fan. 3x21 Fan is Energy Star Rated.

BLADES:

A set of five 32" reversible traditional wood blades is included.

CONTROL OPTIONS:

Optional C1-220, C2-220, C3-220 and C6-220 wall controls and CR4WH-220 remote control (with receiver units) are available—sold separately. Instructions are provided with each control.

LIGHTING OPTIONS:

Optional lighting fitters and light kits are available. See our catalog or visit www.fanimation.com for available lighting options.

DOWNROD OPTIONS:

Fan comes with 1" dia. x 4.5" long downrod. Optional downrods available in 12", 18", 24", 36", 48", 60", and 72" lengths. A downrod coupler is available for installations requiring a downrod longer than 72". Fan can be mounted on a sloped ceiling up to 19°. Optional close-to-ceiling kit is available as well—sold separately. Call technical support for more information.

LOCATION USE:

Fan is rated for dry locations only.

Available Finishes		
Fan / Housing Assembly		Blades - Traditional
SN	Satin nickel	Walnut / light walnut
TS	Tortoise shell	Walnut / light walnut
WH	White	White / white oak

TUV/GS Efficiency Info (220V)			
Fan Speed	Max RPM	Amps	Watts
High	113	0.77	90.4
Med	77	0.53	44.0
Low	47	0.34	18.7