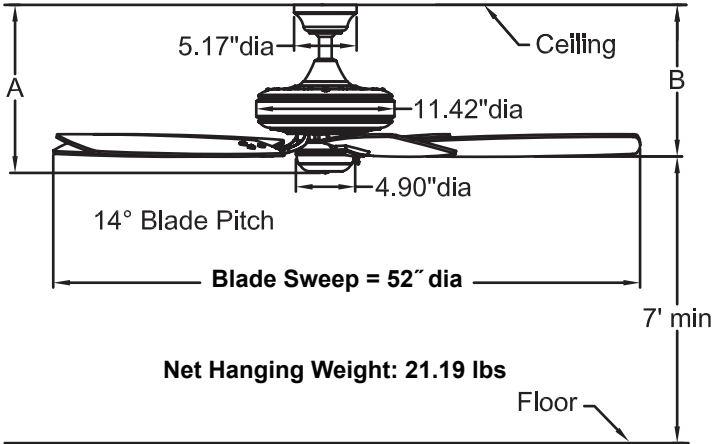


**EDGEWOOD® SERIES**

**TF610\*\* -220  
Decorative Fan**



	A	B
Fan w/4.5" downrod	13.88"	12.52"
Fan w/12" downrod	21.38"	20.02"
Fan w/18" downrod	27.38"	26.02"
Fan w/24" downrod	33.38"	32.02"
Fan w/36" downrod	45.38"	44.02"
Fan w/48" downrod	57.38"	56.02"
Fan w/60" downrod	69.38"	68.02"
Fan w/72" downrod	81.38"	80.02"

Available Finishes		
Fan / Housing Assembly		Blades - Traditional
SN	Satin nickel	Walnut / light walnut
TS	Tortoise shell	Walnut / light walnut
WH	White	White / white oak

TUV/GS Efficiency Info (220V)			
Fan Speed	Max RPM	Amps	Watts
High	161	0.26	63
Med	122	0.20	38
Low	77	0.13	15

**INSTALLATION REQUIREMENTS:**

Fan must be attached to a securely anchored electrical junction box capable of withstanding a load of at least 50 lbs.

**ELECTRICAL REQUIREMENTS:**

Requires a grounded electrical supply line of 220~240 volts AC, 50Hz, 5 amp circuit.

**MOTOR SPECS:**

188x20-220 motor is designed for optimal performance with this fan.

**BLADES:**

A set of five 22" reversible traditional wood blades is included.

**CONTROL OPTIONS:**

Optional C1-220, C2-220, C3-220 and C6-220 wall controls and CR4WH-220 remote control (with receiver units) are available — sold separately. Instructions are provided with each control.

**LIGHTING OPTIONS:**

Optional lighting fitters and light kits are available. See our catalog or visit [www.fanimation.com](http://www.fanimation.com) for available lighting options.

**DOWNROD OPTIONS:**

Fan comes with 1" dia. x 4.5" long downrod. Optional downrods available in 12", 18", 24", 36", 48", 60", and 72" lengths. A downrod coupler is available for installations requiring a downrod longer than 72". Fan can be mounted on a sloped ceiling up to 19°. Call technical support for more information.

**LOCATION USE:**

Fan is rated for dry locations only.