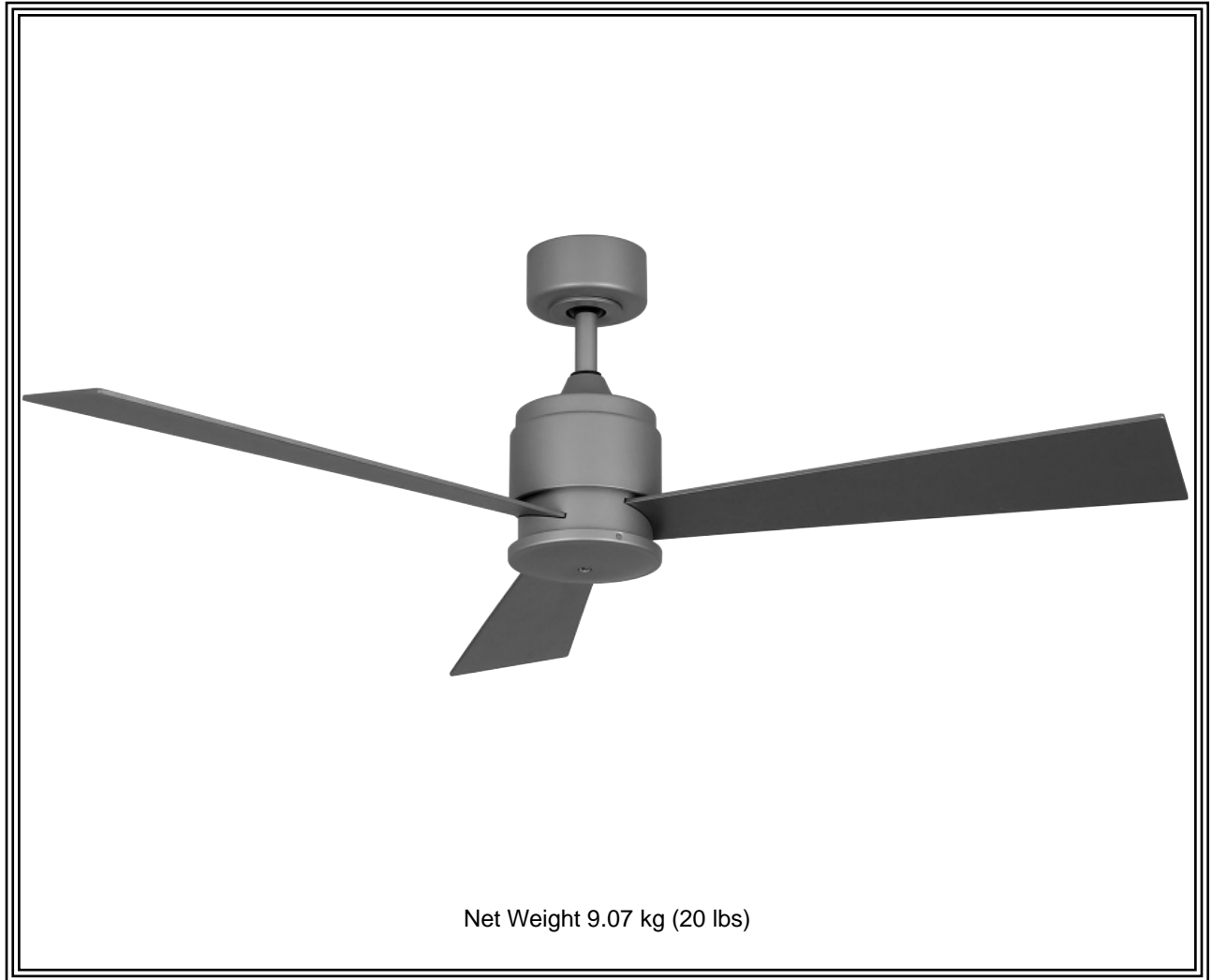


The Zonix™

Ceiling Fan



Model No. FP4620**

OWNER'S MANUAL
READ AND SAVE THESE INSTRUCTIONS



Important Safety Instructions

WARNING: To avoid fire, shock and serious personal injury, follow these instructions.

1. Read your owner's manual and safety information before installing your new fan. Review the accompanying assembly diagrams.
2. Before servicing or cleaning unit, switch power off at service panel and lock service panel disconnecting means to prevent power from being switched on accidentally. When the service disconnecting means cannot be locked, securely fasten a warning device, such as a tag, to the service panel.
3. Be careful of the fan and blades when cleaning, painting, or working near the fan. Always turn off the power to the ceiling fan before servicing.
4. Do not insert anything into the fan blades while the fan is operating.
5. Do not operate reversing switch until fan blades have come to a complete stop.

Additional Safety Instructions

1. To avoid possible shock, be sure electricity is turned off at the fuse box before wiring, and do not operate fan without blades.
2. All wiring and installation procedures must satisfy National Electrical Codes (ANSI/ NFPA 70-1999) and Local Codes. The ceiling fan must be grounded as a precaution against possible electrical shock. Electrical installation should be made or approved by a licensed electrician.
3. The fan base must be securely mounted and capable of reliably supporting at least 50 lbs. See page 4 of owner's manual for support requirements. Consult a qualified electrician if in doubt.
4. The fan must be mounted with the fan blades at least 7 feet from the floor to prevent accidental contact with the fan blades.
5. Follow the recommended instructions for the proper method of wiring your ceiling fan. If you do not have adequate electrical knowledge or experience, have your fan installed by licensed electrician.

WARNING: This product is designed to use only those parts supplied with this product and/or accessories designated specifically for use with this product. Using parts and/or accessories not designated for use with this product could result in personal injury or property damage.

WARNING: To reduce the risk of personal injury, do not bend the blade bracket (flange or blade holder) when installing the brackets, balancing the blades, or cleaning the fan. Do not insert foreign objects in between rotating fan blades.

WARNING: To Reduce The Risk Of Fire Or Electric Shock. Do Not Use This Fan With Any Solid-State Speed Control Device.

LIMITED LIFETIME WARRANTY

Extends to the original purchaser of a Fanimation Fan

1. **LIMITED LIFETIME MOTOR WARRANTY** - If any part of your fan motor fails, due to a defect in materials or workmanship during the lifetime of the original purchaser, Fanimation will provide the replacement part free of charge, when the defective fan is returned to our national service center. Proof of purchase is required. Customer shall be responsible for all costs incurred in the removal or reinstallation and shipping of the product for repairs or replacement.
2. **ONE YEAR MOTOR LABOR WARRANTY** - If your fan motor fails at any time within one year from the original purchase, due to defects in materials or workmanship, labor to repair the motor will be provided free of charge at our national service center. Purchaser will be responsible for labor charges after this one-year period. Customer shall be responsible for all costs incurred in the removal or reinstallation and shipping of the product for repairs or replacement.
3. If any other part of your fan fails at any time within one year after original purchase, due to a defect in materials or workmanship, we will repair, or replace, at our option, the defective part free of charge for parts and labor performed at our national service center.
4. Because of varying climate conditions, this warranty does not cover changes in the finish, including rusting, pitting, corroding, tarnishing, or peeling.
5. This warranty is void and does not apply to damage from improper installation, neglect, accident, misuse, exposure to extremes of heat or humidity, or as a result of any modification to the original product.
6. All costs of removal and reinstallation of the fan are the sole responsibility of the owner of the fan and not the store that sold the fan or Fanimation.
7. Fanimation reserves the right to modify or discontinue any product at any time and may substitute any part under this warranty.
8. Under no circumstances may a fan be returned without prior authorization from Fanimation. The receipt of purchase must accompany authorized returns and must be sent freight prepaid to Fanimation. The fan to be returned must be properly packed to avoid damage in transit; Fanimation will not be responsible for any damage resulting from improper packaging.
9. It is understood that any repair or replacement is the exclusive remedy available from Fanimation. There is no other expressed or implied warranty. Fanimation hereby disclaims any and all implied warranties, including, but not limited to those of merchantability and fitness for a particular purpose to the extent permitted by law. Some states do not allow limitations on implied warranties. Fanimation will not be liable for incidental, consequential, or special damages arising out of or in conjunction with product use or performance, except as may otherwise be accorded by law. This warranty gives you special legal rights and you may also have other rights that vary from state to state.
10. A certain amount of wobble is normal and should not be considered a problem or a defect.

Table of Contents

Unpacking Instructions	3	Mounting the Fan Blades and Lower Housing Cover	8
Energy Efficient Use of Ceiling Fans	4	Operating Instructions - CW40 Wall Control	9
Electrical and Structural Requirements	4	Maintenance	9
How to Assemble Your Ceiling Fan	5	Blade Cleaning	9
How to Hang Your Ceiling Fan	6	Parts List	10
How to Wire Your Ceiling Fan - CW40 Wall Control	7	Exploded-View Illustration	11
Installing the Canopy Housing	7	Trouble Shooting	12

This Manual is Designed to Make it as Easy as Possible for You to Assemble, Install, Operate, and Maintain Your Ceiling Fan

Tools Needed for Assembly

- One Phillips head screwdriver
- One wire stripper
- One stepladder
- Three wire connectors (supplied)
- One ¼" blade screwdriver

Materials

Wiring outlet box and box connectors must be of type required by local code. The minimum wire would be a 3-conductor (2-wire with ground) of the following size:

Installed Wire Length	Wire Size A.W.G.
Up to 50 ft.	14
50 - 100 ft.	12

NOTE: Place the parts from the loose parts bags in a small container to keep them from being lost. If any parts are missing, contact your local retailer.

⚠ WARNING

Before assembling your ceiling fan, refer to section on proper method of wiring your fan (page 4). If you feel you do not have enough wiring knowledge or experience, have your fan installed by a licensed electrician.

Unpacking Instructions

For your convenience, check-off each step. As each step is completed, place a check mark. This will ensure that all steps have been completed and will be helpful in finding your place should you be interrupted.

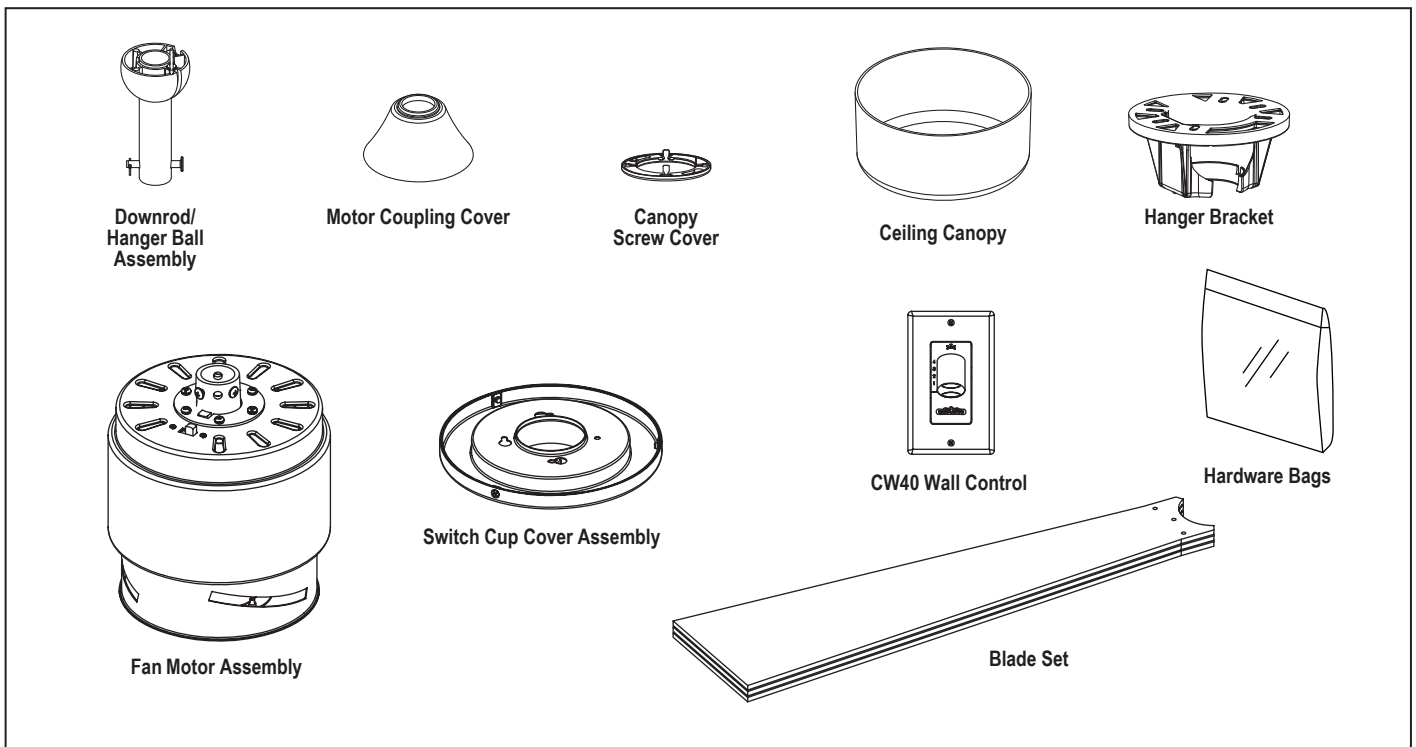
⚠ WARNING

Do not install or use fan if any part is damaged or missing. This product is designed to use only those parts supplied with this product and/or any accessories designated specifically for use with this product by Fanimation. Substitution of parts or accessories not designated for use with this product by Fanimation could result in personal injury or property damage. Contact your retail store for missing or damaged parts.

- Fan Motor Assembly
- Downrod/Hanger Ball Assembly
- Hanger Bracket
- Ceiling Canopy
- Canopy Screw Cover
- Motor Coupling Cover
- Switch Cup Cover Assembly
- Wood Blades (3)
- CW40 Wall Control
- Hardware bags:
 - 3/16-24 x 15 mm (blade to motor hub) washer-head screws & fiber washers
 - Phillips screwdriver, 4"
 - Four wire connectors
 - Blade Balance Kit

1. Check to see that you have received the following parts:

NOTE: If you are uncertain of part description, refer to exploded view illustration. (Figure 1, page 13)



Energy Efficient Use of Ceiling Fans

Ceiling fan performance and energy savings rely heavily on the proper installation and use of the ceiling fan. Here are a few tips to ensure efficient product performance.

Choosing the Appropriate Mounting Location

Ceiling fans should be installed, or mounted, in the middle of the room and at least 7 feet above the floor and 18 inches from the walls. If ceiling height allows, install the fan 8 - 9 feet above the floor for optimal airflow. Consult your Fanimation Retailer for optional mounting accessories.

Turn Off When Not in the Room

Ceiling fans cool people, not rooms. If the room is unoccupied, turn off the ceiling fan to save energy.

Using the Ceiling Fan Year Round

Summer Season: Use the ceiling fan in the counter-clockwise direction. The airflow produced by the ceiling fan creates a wind-chill effect, making you "feel" cooler. Select a fan speed that provides a comfortable breeze, lower speeds consume less energy.

Winter Season: Reverse the motor and operate the ceiling fan at low speed in the clockwise direction. This produces a gentle updraft, which forces warm air near the ceiling down into the occupied space. Remember to adjust your thermostat when using your ceiling fan - additional energy and dollar savings could be realized with this simple step!

Electrical and Structural Requirements

Your new ceiling fan will require a grounded electrical supply line of 120 volts AC, 60 Hz, 15 amp circuit. The outlet box must be securely anchored and capable of withstanding a load of at least 50 lbs. **Figure 1** depicts different structural configurations that may be used for mounting the outlet box.

⚠ WARNING

To reduce the risk of fire, electrical shock, or personal injury, mount fan to outlet box marked acceptable for fan support. Use screws supplied with outlet box. Most outlet boxes commonly used for support of light fixtures are not acceptable for fan support and may need to be replaced. Consult a qualified electrician if in doubt.

⚠ WARNING

Turning off wall switch is not sufficient. To avoid possible electrical shock, be sure electricity is turned off at the main fuse box before wiring. All wiring must be in accordance with National and Local codes and the ceiling fan must be properly grounded as a precaution against possible electrical shock.

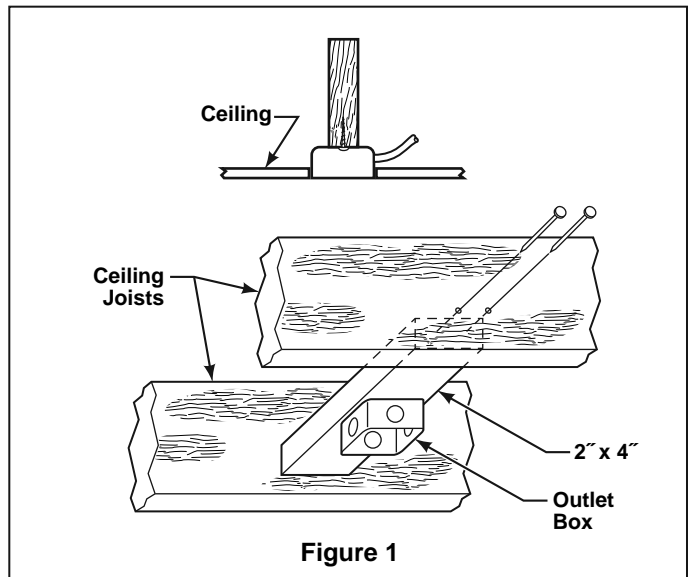


Figure 1

⚠ WARNING

To avoid fire or shock, follow all wiring instructions carefully. Any electrical work not described in these instructions should be done or approved by a licensed electrician.

How to Assemble Your Ceiling Fan

1. Remove the Hanger Ball by loosening the setscrew in the Hanger Ball until the ball falls freely down the Downrod. (Figure 1) Remove the Pin from the Downrod, then remove the Hanger Ball. Retain the Pin and Hanger Ball for reinstallation in Step 5.

2. The fan comes with blue, black and white 80" wires. Separate & untwist the three wires and safety cable. Route the wires through the downrod.

NOTE: You will be using either the 6" downrod supplied with your fan or an optional downrod purchased separately.

3. Loosen the two setscrews in the Downrod Support. Align the Clevis Pin holes in the Downrod with the holes in the Downrod Support. Install the Clevis Pin and secure with the Hairpin Clip. (Figure 3) Be sure to push the straight leg of the hairpin clip through the hole near the end of the clevis pin until the curved portion of the hairpin clip snaps around the clevis pin. The hairpin clip must be properly installed to prevent the clevis pin from working loose. Pull on the Downrod to make sure the clevis pin is properly installed.

▲ WARNING

It is critical that the clevis pin in the downrod support is properly installed and the setscrews are securely tightened. Failure to verify that the pin and setscrews are properly installed could result in the fan falling.

4. Route wires through Motor Coupling Cover, Canopy (with Canopy Screw Cover) on fan shown with open side facing up. (Figure 3)

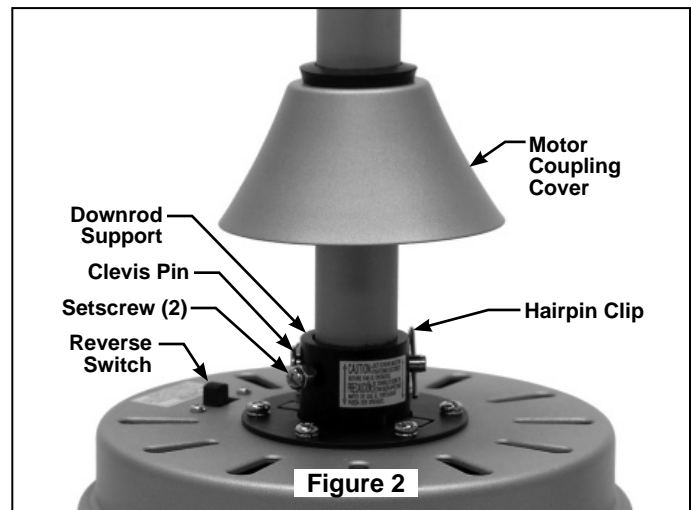
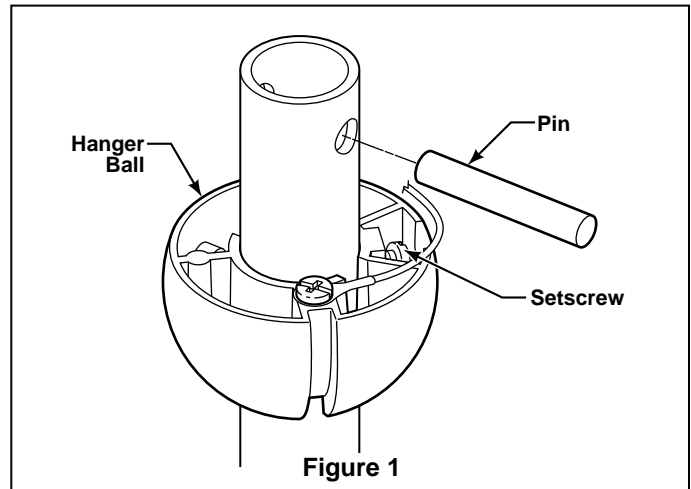
5. Reinstall the Hanger Ball (Figure 1) on the Downrod as follows. Route the three 80" wires and cable through the Hanger Ball. Position the Pin through the two holes in the Downrod and align the Hanger Ball so the Pin is captured in the groove in the top of the Hanger Ball. Pull the Hanger Ball up tight against the pin. **Securely tighten the setscrew in the Hanger Ball.** A loose setscrew could create fan wobble.

6. While pulling up on the hanger ball, securely tighten the two setscrews with nuts in the downrod support. Slide the Motor Coupling Cover down on top of the motor housing. (Figures 2 & 3)

7. Before installing fan, measure up approximately 6-9 inches above top of Downrod/Hanger Ball Assembly. Cut off excess wire and strip back insulation 1/2" from end of wire.

8. All set screws must be checked and retightened where necessary before installation.

9. You have now completed the upper assembly of your new ceiling fan. You can now proceed with the hanging and the electrical wiring of your fan.



How to Hang Your Ceiling Fan

⚠ WARNING

To avoid possible electrical shock, be sure electricity is turned off at the main fuse box before hanging.
NOTE: If you are not sure if the outlet box is grounded, contact a licensed electrician for advice, as it must be grounded for safe operation.

⚠ WARNING

The fan must be hung with at least 7' of clearance from floor to blades (Figure 1)

⚠ WARNING

The outlet box must be securely anchored and capable of withstanding a load of at least 50 lbs. Hanger bracket must seat firmly against outlet box. If the outlet box is recessed, remove wallboard until bracket contacts box. If bracket and/or outlet box are not securely attached, the fan could wobble or fall.

CAUTION

Do not connect fan blades until the fan is completely installed. Hanging fan with blades connected may result in damage to the fan blades.

1. Securely attach the hanger bracket to the outlet box using the outlet box screws and washers supplied with the outlet box (Figure 2).

NOTE: Outlet box screws pass through slotted holes of the hanger bracket (Figure 2).

2. Pull the electric wires in the outlet box down through the opening in the hanger bracket and bend wires up and out of the way so that the hanger ball will easily fit into the hanger bracket.

3. Carefully lift the fan and seat the downrod/hanger ball assembly on the hanger bracket that was just attached to the outlet box (Figure 3). Be sure the groove in the ball is lined up with tab on the hanger bracket (Figure 2).

4. After splicing, the wiring should be turned upward and pushed carefully up into the outlet box.

⚠ WARNING

Failure to seat tab in groove could cause damage to electrical wires and possible shock or fire hazard.

⚠ WARNING

To avoid possible shock, do not pinch wires between the downrod/hanger ball assembly and the hanger bracket.

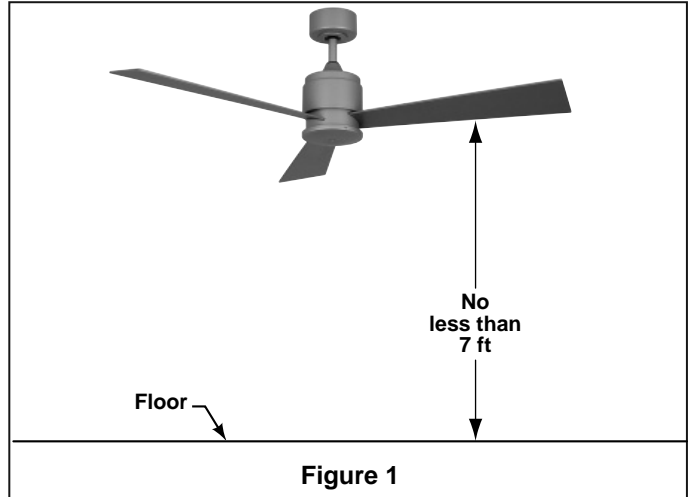


Figure 1

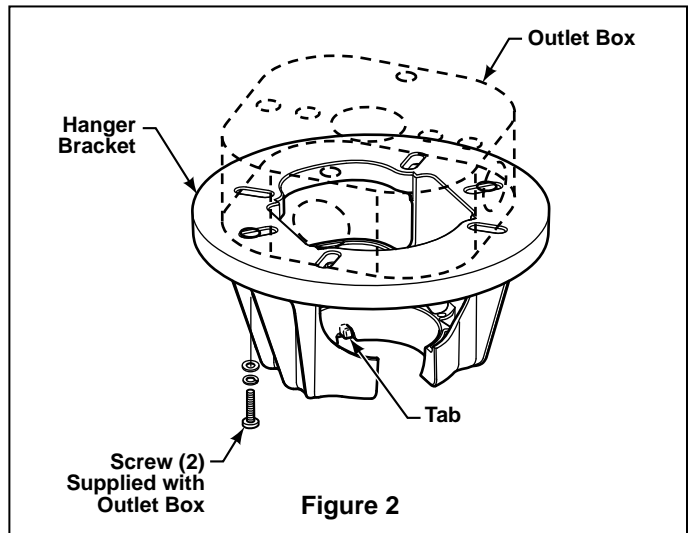


Figure 2

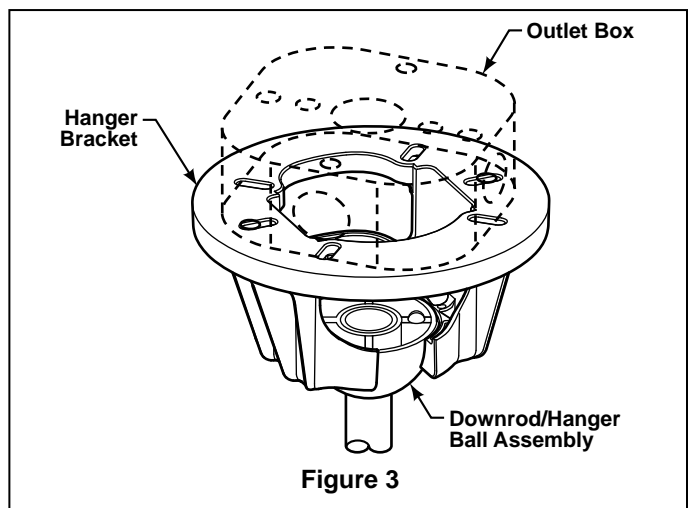


Figure 3

How to Wire Your Ceiling Fan - CW40 Wall Control

If you feel that you do not have enough electrical wiring knowledge or experience, have your fan installed by a licensed electrician.

⚠ WARNING

To avoid possible electrical shock, be sure electricity is turned off at the main fuse box before wiring.
NOTE: If you are not sure if the outlet box is grounded, contact a licensed electrician for advice, as it must be grounded for safe operation.

1. Installing Wall Control (Figures 1 & 2):

- With electrical power still disconnected, remove the existing wall plate and switch.
- Make wiring connections with wire nuts as shown in Figure 1.
 - One black wire from wall control unit to black (hot supply).
 - One black wire from wall control unit to black wire leading to ceiling outlet box.
 - One green wire from wall control unit to ground wire leading to ceiling outlet box.
- Attach wall control unit to outlet box using the two 6-32 screws provided.
- Attach wall plate to the switch control front using the two small screws provided.

NOTE: Blue wire *MUST* be capped if not installing optional light kit.

⚠ WARNING

Check to see that all connections are tight, including ground, and that no bare wire is visible at the wire connectors, except for the ground wire. Do not operate fan until the blades are in place. Noise and fan damage could result.

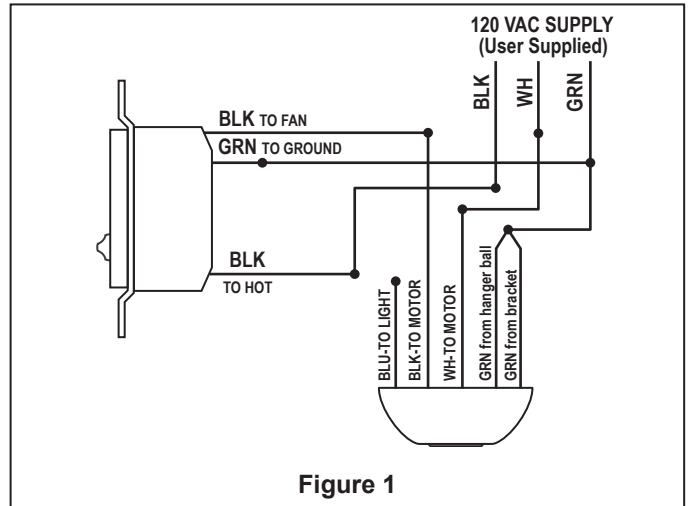


Figure 1

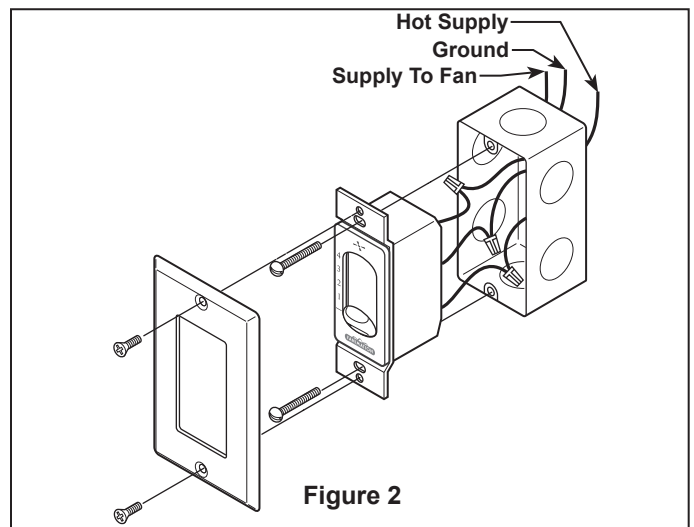


Figure 2

Installing the Canopy Housing

NOTE: This step is applicable *after* the necessary wiring is completed.

⚠ WARNING

To avoid possible fire or shock, make sure that the electrical wires are completely inside the canopy housing and not pinched between the housing and the ceiling.

1. Loosen the two shoulder screws in the Hanger Bracket.
2. Securely attach the Canopy Housing over the shoulder screws (Figure 1a).
3. Securely attach and tighten the Canopy Screw Cover over the shoulder screws in the Hanger Bracket utilizing the keyslot twist-lock feature (Figure 1b).

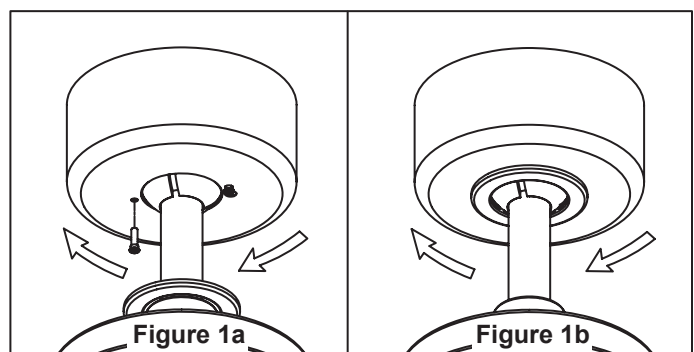


Figure 1a

Figure 1b

Mounting the Fan Blades and Switch Cup Cover Assembly

INSTALLATION NOTE

Do not connect fan blades until the fan is completely installed. Installing the fan with blades assembled may result in damage to the fan blades.

⚠ WARNING

To reduce the risk of personal injury, do not bend the blades when installing, balancing or cleaning the fan. Do not insert foreign objects in between the rotating blades.

Blade Assembly:

1. Carefully slide the blade through the slot as shown. (Figure 1)

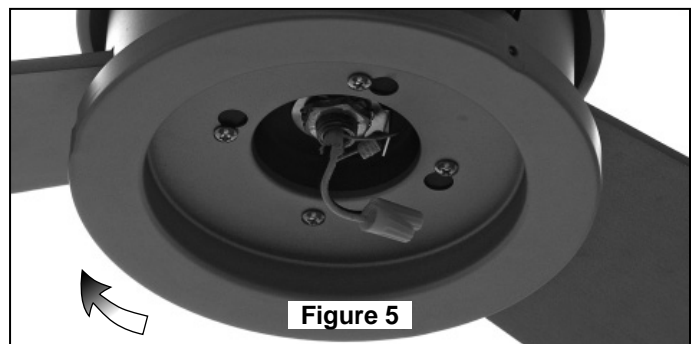
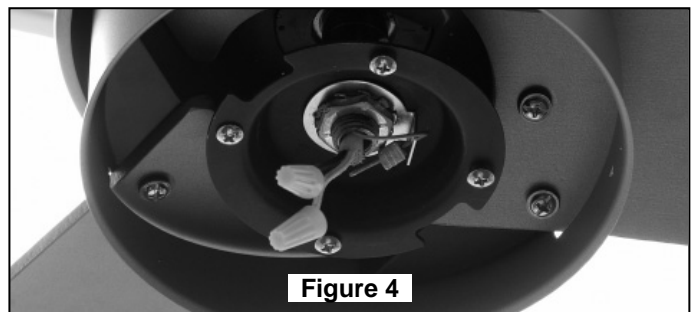
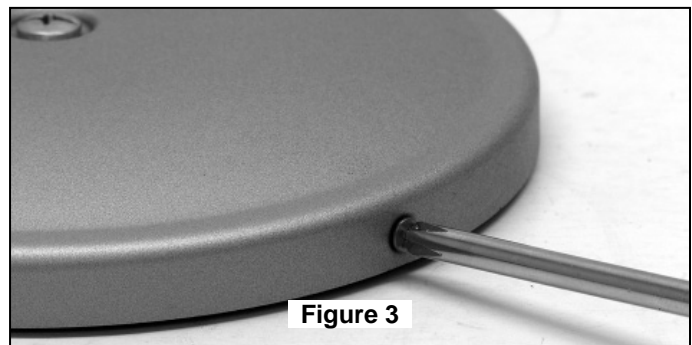
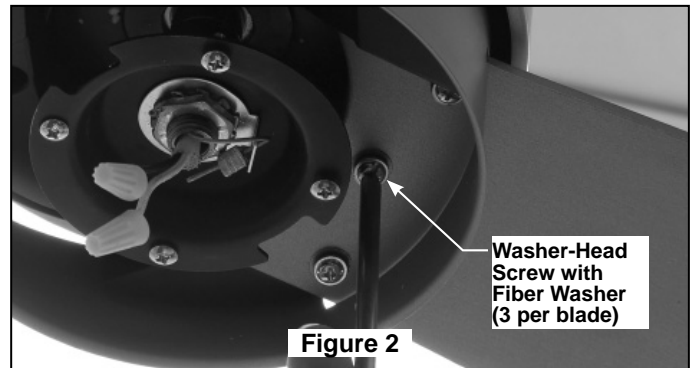
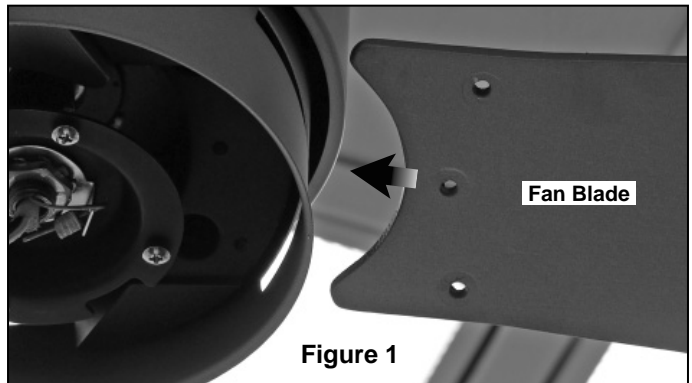
2. Securely fasten the three blades with washer-head screws with fiber washers. Do not over-tighten. (Figure 2)

Switch Cup Cover Assembly:

3. Disassemble Switch Cup Cover from Switch Cup Support Plate by removing three screws. (Figure 3)

4. Loosen three screws and remove one screw from support flange. (Figure 4)

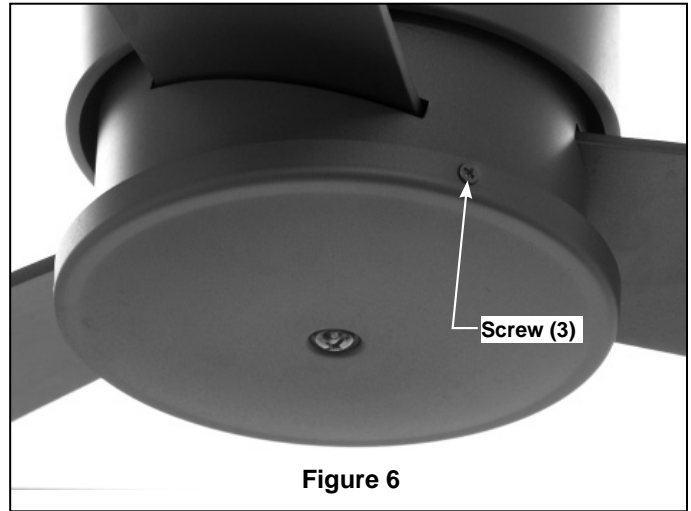
5. Attach the Switch Cup Support Plate to the support flange by rotating plate and properly positioning screws in key slots. Install fourth screw in remaining hole. Fully tighten all four screws. (Figure 5)



Mounting the Fan Blades and Switch Cup Cover Assembly (cont'd)

6. Assemble the Switch Cup Cover onto the assembled Switch Cup Support Plate with three screws provided. (Figure 6)

7. Restore Power and your fan is now wired to be turned on and off from the wall speed control.



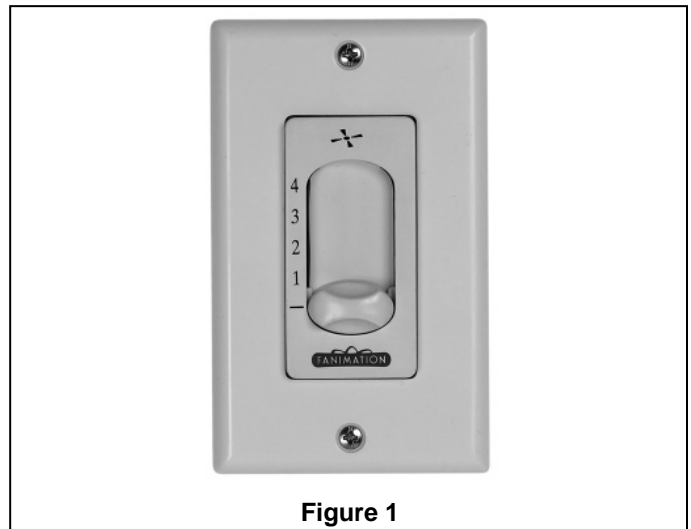
Operating Instructions - CW40 Wall Control

1. Restore electrical power to the outlet box by turning the electricity on at the main fuse box.

2. Your fan model is equipped with a 4-position, 3-speed, slide switch wall control. The operating sequence is as follows:

- 4th Position = low speed
- 3rd Position = medium speed
- 2nd Position = medium high speed
- 1st Position = high speed
- — Position = fan off

3. If airflow is desired in the opposite direction, turn the fan off and wait for the blades to stop turning. Slide the reverse switch to the opposite position (located on top of fan housing) and turn fan on again.



Maintenance

Periodic cleaning of your new ceiling fan is the only maintenance that is needed.

When cleaning, use only a soft brush or lint free cloth to avoid scratching the finish.

Abrasive cleaning agents are not required and should be avoided to prevent damage to finish.

CAUTION

Do not use water when cleaning your ceiling fan. It could damage the motor or the blades and create the possibility of electrical shock.

Blade Cleaning

Periodic light dusting of the blades is recommended. A feather duster will work best.

Avoid using water, cleansers, or harsh rags, which can warp and ruin the blades.

Parts List

Model FP4620**

Ref. #	Description	Part #
1	Hanger Bracket Assembly with Screws	AP255BL
2	<i>Downrod/Hanger Ball Assembly Containing:</i>	ADR1-6**
2a	Hanger Ball Assembly	
2b	Downrod	
2c	Clevis Pin	
2d	Hairpin Clip	
3	Ceiling Canopy	PG154**
4	Canopy Screw Cover	AP260**
5	Motor Coupling Cover with Grommet	AP1115**
6	Fan Motor Assembly	AMA4620**
7	Switch Cup Cover Assembly with Flat-Head Screws (3)	AP462010**
8	Blade Set (3)	AP442007**
9	Wall Control	CW40
10	<i>Hardware Bag Containing:</i>	HDWFP4620
	Blade Balance Kit (BALKT)	HDWHW4620
	Wire Connectors (4)	
	<i>Blade Mounting Hardware Bag Containing:</i>	HDWBM4620
	$\frac{3}{16}$ -24 x 15 mm Washer Head Screw (10)	
	Fiber Washers (10)	
Phillips Screwdriver, 4"		

****Insert FINISH CODES (Refer to fan model number located on downrod support)**

Before discarding packaging materials, be certain all parts have been removed

How To Order Parts
<p>When ordering repair parts, always give the following information:</p> <ul style="list-style-type: none"> • Part Number • Part Description • Fan Model Number <p>Contact your retail store for repair parts.</p>

The Zonix™ Model FP4620** Exploded-View

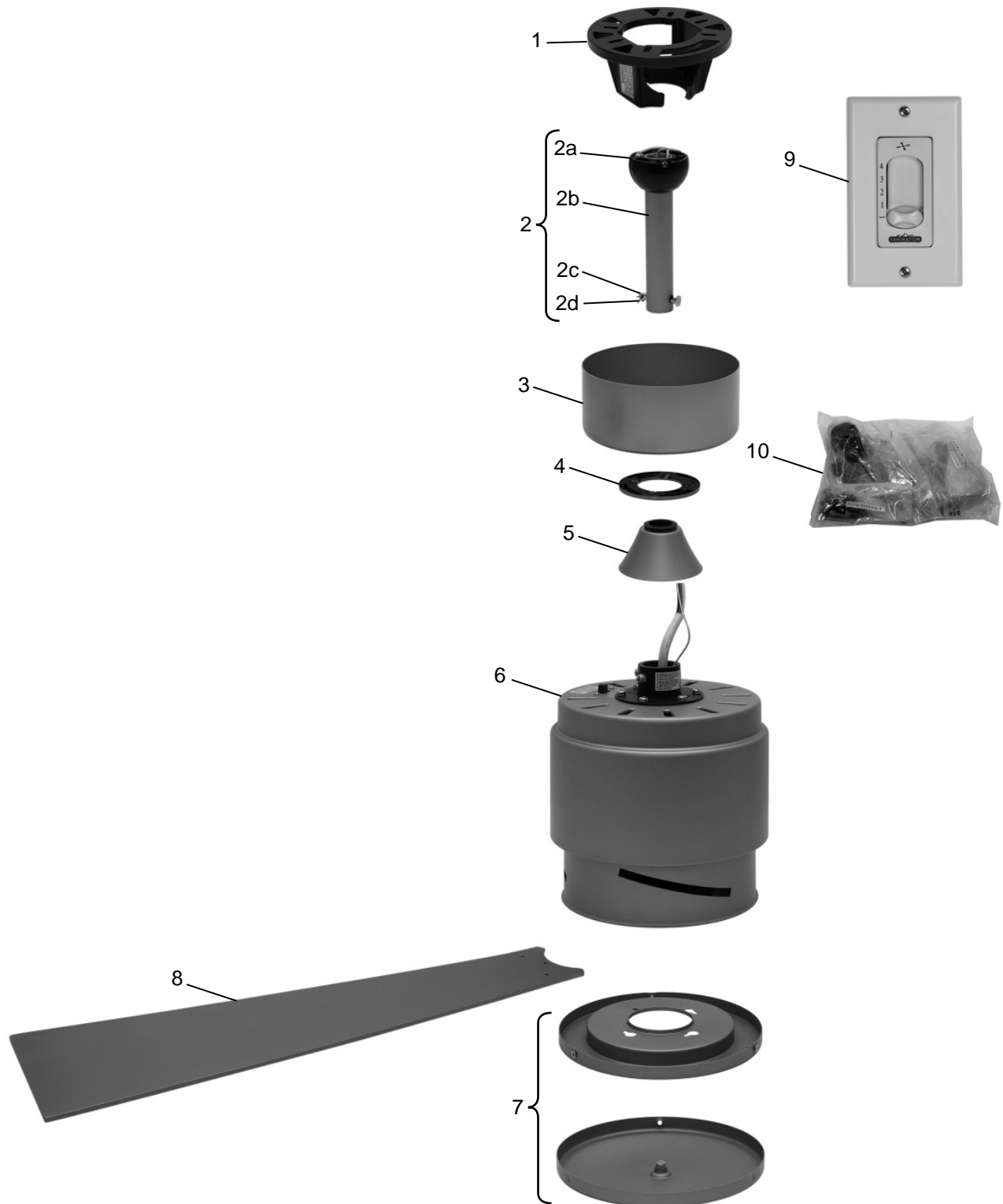


Figure 1

NOTE: The illustration shown is not to scale or its actual configuration may vary.
Product/parts are subject to change without notice.

Trouble Shooting

⚠ WARNING

For your own safety turn off power at fuse box or circuit breaker before trouble shooting your fan.

Trouble	Probable Cause	Suggested Remedy
1. FAN WILL NOT START	<ol style="list-style-type: none"> 1. Fuse or circuit breaker blown. 2. Loose power line connections to the fan, or loose switch wire connections in the switch housing. 3. Reversing switch in neutral position. 	<ol style="list-style-type: none"> 1. Check main and branch circuit fuses or circuit breakers. 2. Check line wire connections to fan and switch wire connections in the switch housings. <p>CAUTION: Make sure main power is turned off !</p> <ol style="list-style-type: none"> 3. Make sure reversing switch position is all the way to one side.
2. FAN SOUNDS NOISY	<ol style="list-style-type: none"> 1. Blades not attached to fan. 2. Loose screws in motor housing. 3. Screws securing fan blade holders to motor flywheel are loose. 4. Wire connectors inside housing rattling. 5. Motor noise caused by solid state variable speed control. 6. Lock nuts holding blades to blade holders are loose. 7. Lower housing support set screw loose. 	<ol style="list-style-type: none"> 1. Attach blades to fan before operating. 2. Check to make sure all screws in motor housing are snug (not over-tight). 3. Check to make sure the screws which attach the fan blade holders to the motor flywheel are tight. 4. Check to make sure wire connectors in switch housing are not rattling against each other or against the interior wall of the switch housing. <p>CAUTION: Make sure main power is turned off !</p> <ol style="list-style-type: none"> 5. Some fan motors are sensitive to signals from solid-state variable speed controls. Solid-state controls are not recommended, choose an alternative control method. 6. Tighten lock nuts securely. 7. Tighten set screw securely.
3. FAN WOBBLER EXCESSIVELY	<ol style="list-style-type: none"> 1. Setscrew in downrod support is loose. 2. Setscrew in downrod/hanger ball assembly is loose. 3. Screws securing fan blade holders to motor hub are loose. 4. Blade holders not seated properly. 5. Hanger bracket and/or ceiling outlet box is not securely fastened. 6. Fan blades out of balance. 	<ol style="list-style-type: none"> 1. Tighten both setscrews securely in downrod support. 2. Tighten the setscrew in the downrod/hanger ball assembly. 3. Check to be sure screws which attach the fan blade holders to the flywheel are tight. 4. Check to be sure the fan blade holders seat firmly and uniformly to the surface of the motor housing. If holders are seated incorrectly, loosen the screws and retighten. 5. Tighten the hanger bracket screws to the outlet box, and secure outlet box. 6. Interchanging position of fan blades can redistribute the weight and result in a smoother operation. For example, exchange blades in positions 1 and 3 or 1 and 4. If this does not improve wobble, exchange 2 and 3 or 2 and 4.
4. NOT ENOUGH AIR MOVEMENT		<ol style="list-style-type: none"> 1. If possible, consider using a longer downrod. For example, use a 12" downrod instead of the 6" downrod that comes with your fan.



10983 Bennett Parkway
Zionsville, IN 46077
(888) 567-2055

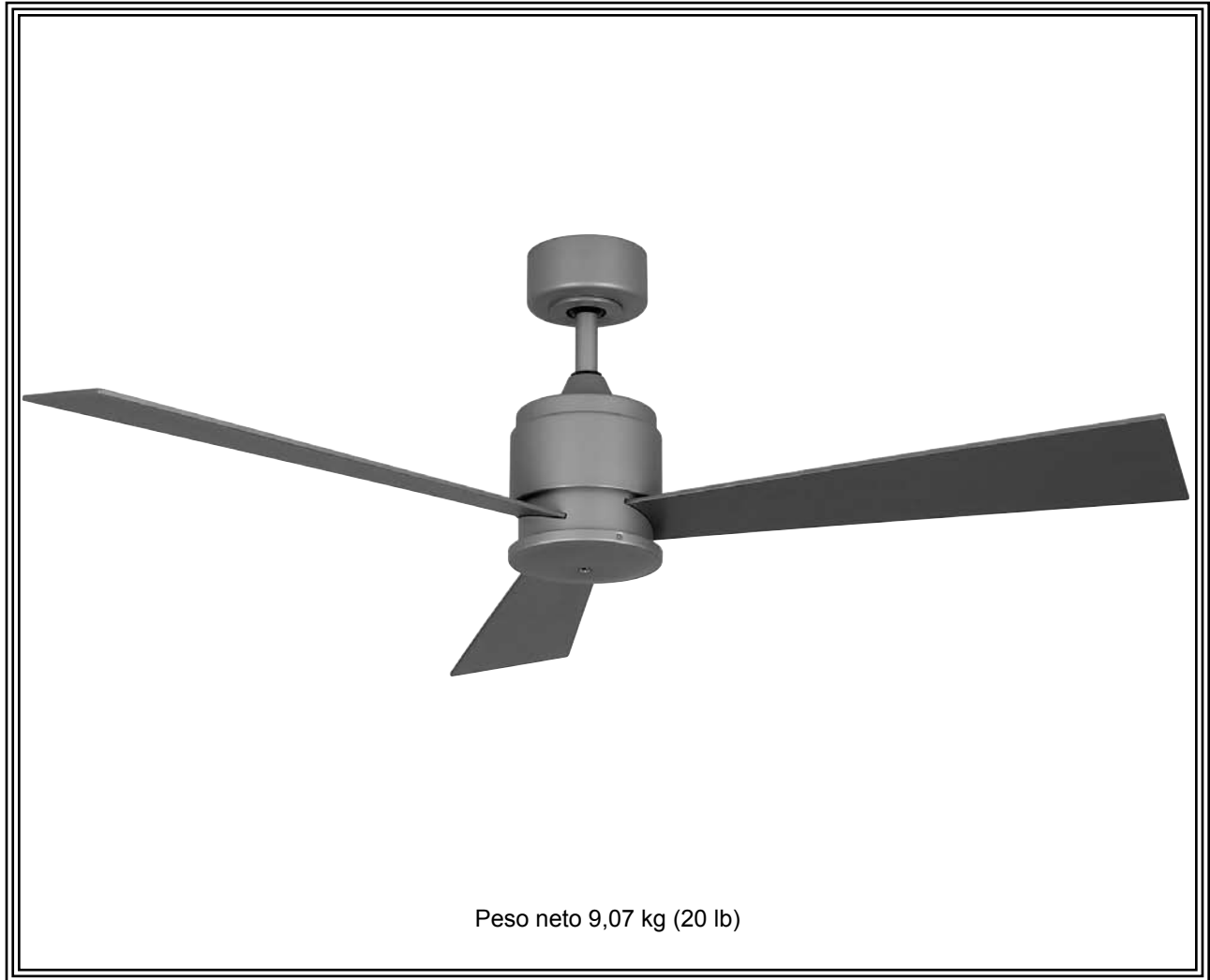
FAX (866) 482-5215

Outside U.S. call (317) 733-4113

Visit Our Website @ www.fanimation.com

El Zonix™

Ventilador de techo



Modelo N.º FP4620**

MANUAL DEL PROPIETARIO
LEA Y GUARDE ESTAS INSTRUCCIONES



Instrucciones de seguridad importantes

ADVERTENCIA: Siga estas instrucciones para prevenir incendios, descargas eléctricas y lesiones personales graves.

1. Lea el manual del propietario y la información de seguridad antes de instalar su nuevo ventilador. Observe los diagramas de ensamblaje adjuntos.
2. Antes de llevar a cabo el mantenimiento o la limpieza de la unidad, desconecte la electricidad en el panel de servicio y bloquee los medios de desconexión del mismo para evitar que se active accidentalmente. Si no se pueden bloquear los medios de desconexión del servicio, coloque un dispositivo de advertencia, como una etiqueta, en el panel de servicio.
3. Tenga cuidado con la estructura y las aspas del ventilador cuando limpie, pinte o trabaje cerca del mismo. Desconecte siempre la electricidad del ventilador de techo antes de llevar a cabo el mantenimiento.
4. No coloque nada en las aspas del ventilador cuando éste se encuentra en funcionamiento.
5. No accione el conmutador inversor hasta que las aspas del ventilador se hayan detenido por completo.

Instrucciones de seguridad adicionales

1. Para evitar posibles descargas eléctricas, asegúrese de que la electricidad esté desconectada en la caja de fusibles antes de realizar la instalación eléctrica, y no haga funcionar el ventilador sin las aspas.
2. Todos los procedimientos de conexión eléctrica e instalación deben cumplir con los Códigos eléctricos nacionales (ANSI/NFPA 70-1999) y Códigos locales. El ventilador de techo debe estar conectado a tierra a fin de prevenir posibles descargas eléctricas. La instalación eléctrica debe ser llevada a cabo o aprobada por un electricista autorizado.
3. Se debe fijar bien la base del ventilador; ésta debe ser capaz de soportar sin problemas al menos 22,7 kg (50 lb). Vea la página 18 del manual del propietario para ver los requisitos de soporte. Consulte a un electricista calificado si tiene dudas.
4. Las aspas del ventilador deben instalarse por lo menos a 2 m (7 pies) del suelo, a fin de evitar el contacto accidental con las mismas.
5. Siga las recomendaciones sobre el método correcto de instalación eléctrica de su ventilador de techo. Si no posee la experiencia o los conocimientos eléctricos adecuados, contrate a un electricista autorizado para instalar el ventilador.

ADVERTENCIA: Este producto está diseñado para ser usado sólo con las piezas suministradas o los accesorios indicados específicamente para el mismo. Si utiliza piezas o accesorios que no están indicados para su uso con este producto podría sufrir lesiones personales o dañar el ventilador.

ADVERTENCIA: Para reducir el riesgo de lesiones personales, no doble los soportes de aspas (borde o soporte de aspas) al instalar los soportes, balancear las aspas o limpiar el ventilador. No coloque objetos extraños entre las aspas del ventilador en funcionamiento.

ADVERTENCIA: Para reducir el riesgo de incendios o descargas eléctricas. No utilice este ventilador con ningún dispositivo de control de velocidad de estado sólido.

GARANTÍA LIMITADA DE POR VIDA

Se extiende al comprador original de un ventilador Fanimation.

1. GARANTÍA LIMITADA DE POR VIDA DEL MOTOR - Si se produce una falla en alguna de las partes del motor de su ventilador debido a un defecto en los materiales o en la fabricación durante el tiempo de vida del comprador original, Fanimation proporcionará la pieza de repuesto sin cargo una vez que el ventilador defectuoso sea devuelto a nuestro centro de servicios nacional. Se requiere comprobante de venta. El cliente se hará responsable de todos los gastos de remoción o reinstalación y envío del producto para reparaciones o sustitución.
2. GARANTÍA DE MANO DE OBRA DEL MOTOR POR UN AÑO - Si el motor de su ventilador falla antes de cumplirse un año a partir del momento de su compra original debido a defectos en los materiales o en la fabricación, se le efectuará la reparación del mismo sin cargo en nuestro centro de servicios nacional. El comprador se hará responsable de los gastos de mano de obra luego del período de un año. El cliente se hará responsable de todos los gastos de remoción o reinstalación y envío del producto para reparaciones o sustitución.
3. Si otra pieza del ventilador fallara dentro del período de un año a partir de la fecha de compra original debido a un defecto en los materiales o en la fabricación, repararemos o sustituiremos, según creamos conveniente, la pieza defectuosa sin cargo alguno en nuestro centro de servicios nacional.
4. Debido a las diversas condiciones climáticas, esta garantía no cubre cambios en la terminación, incluidos oxidación, corrosión, falta de brillo o peladuras.
5. Esta garantía es nula y no aplica a daños por instalación incorrecta, negligencia, accidentes, uso indebido, exposición al calor o a la humedad en exceso, o como resultado de cualquier modificación realizada al producto original.
6. Todos los gastos de remoción y reinstalación del ventilador son responsabilidad exclusiva del propietario, y no de la tienda que vendió el ventilador o de Fanimation.
7. Fanimation se reserva el derecho de modificar o discontinuar un producto en cualquier momento, o sustituir cualquier pieza según lo establecido por esta garantía.
8. Bajo ninguna circunstancia se podrá devolver un ventilador sin previa autorización por parte de Fanimation. Las devoluciones autorizadas deberán ir acompañadas del recibo de venta y deberán enviarse a Fanimation, previo pago del flete. El ventilador que se devuelve deberá estar embalado en forma adecuada a fin de evitar daños durante su transporte. Fanimation no se hará responsable de los daños que resulten del mal empaquetamiento del producto.
9. Se entiende que las reparaciones y las sustituciones son el único recurso disponible de Fanimation. No existe ninguna garantía expresa o implícita. Por la presente, Fanimation niega todas las garantías implícitas, que incluyen, entre otras, la comerciabilidad y la aptitud para determinado fin hasta donde la ley lo permita. Algunos estados no permiten limitaciones sobre las garantías implícitas. Fanimation no se hará responsable por daños accidentales, resultantes o especiales derivados del uso o el rendimiento del producto o en conjunción con éste, excepto en los casos en los que la ley así lo disponga. Esta garantía le otorga derechos legales especiales y es posible que también goce de otros derechos que pueden variar según el estado. Una cierta cantidad de movimiento oscilante es normal y no se debe considerar un problema o un defecto.

Tabla de contenidos

Instrucciones para el desempaque.....	17	Montaje de las aspas del ventilador y la cubierta inferior.....	22
Uso eficiente de la energía en ventiladores de techo.....	18	Instrucciones de funcionamiento - Control de pared CW40I.....	23
Requisitos eléctricos y estructurales.....	18	Mantenimiento.....	23
Cómo ensamblar el ventilador de techo.....	19	Limpieza de las aspas.....	23
Cómo colgar el ventilador de techo.....	20	Lista de piezas.....	24
Cómo realizar la instalación eléctrica del ventilador de techo (control de pared CW40).....	21	Ilustración del despiece.....	25
Instalación de la cubierta del capuchón.....	21	Solución de problemas.....	26

Este manual está diseñado para facilitar lo más posible el ensamblaje, la instalación, el funcionamiento y el mantenimiento de su ventilador de techo.

Herramientas necesarias para el ensamblaje

- Destornillador Phillips
- Escalera de tijera
- Destornillador de 1/4"
- Pelacables
- Tres conectores de cables (incluidos)

Materiales

La caja de distribución eléctrica y los conectores de la caja deben ser del tipo requerido por el código local. El cable más pequeño debe ser un cable de tres conductores (de dos conductores con conexión a tierra) del siguiente tamaño:

Longitud del cable instalado	Tamaño del cable según el A.W.G. (Calibre de alambres estadounidenses)
Hasta 15,2 m (50 pies)	14
de 15,2 a 30,5 m (50 a 100 pies)	12

NOTA: Coloque las piezas de las bolsas de piezas individuales en un contenedor pequeño para evitar que se extravíen. Si faltan piezas, póngase en contacto con su proveedor local.

⚠ ADVERTENCIA

Antes de ensamblar el ventilador de techo, consulte la sección sobre el método correcto de instalación eléctrica del ventilador (página 18). Si siente que no posee la experiencia o los conocimientos eléctricos necesarios, contrate a un electricista autorizado para instalar el ventilador.

Instrucciones para el desempaque

Para su comodidad, marque cada uno de los pasos. A medida que completa cada paso, coloque una marca de verificación. Con esto se asegurará de completar todos los pasos y podrá saber desde dónde retomar si fuera interrumpido.

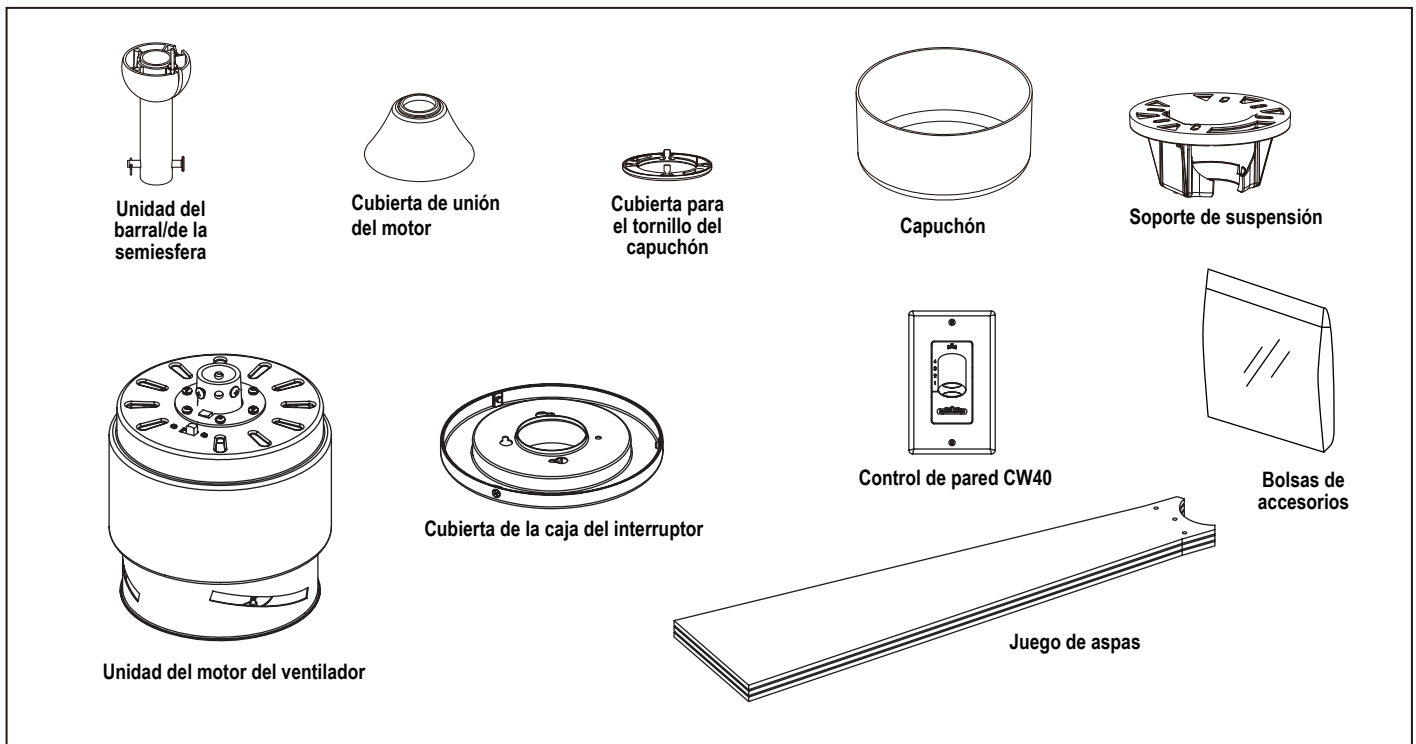
⚠ ADVERTENCIA

No instale ni utilice el ventilador si falta alguna pieza o si hay piezas dañadas. Este producto está diseñado para ser usado sólo con las piezas suministradas o los accesorios indicados por Fanimation específicamente para el mismo. La sustitución de piezas o accesorios que Fanimation no designó para usar con este producto podría ocasionar lesiones personales o daños en el ventilador. Póngase en contacto con su tienda si faltan piezas o hay piezas dañadas.

- Unidad del motor del ventilador
- Unidad del barral/de la semiesfera
- Soporte de suspensión
- Capuchón
- Cubierta para el tornillo del capuchón
- Cubierta de unión del motor
- Cubierta de la caja del interruptor
- Aspas de madera (3)
- Control de pared CW40
- Bolsas de accesorios:
 - Tornillos de 3/16-24 x 15 mm con cabeza de arandela y arandelas de fibra (aspa a buje del motor)
 - Destornillador Phillips de 4"
 - Cuatro conectores de cables
 - Kit de balanceo de aspas

1. Verifique que haya recibido las siguientes piezas:

NOTA: Si no está seguro de la descripción de una pieza, consulte la ilustración del despiece. (Figura 1, página 27)



Uso eficiente de la energía en ventiladores de techo

El nivel de rendimiento y ahorro de energía de los ventiladores de techo dependen de su correcta instalación y uso. A continuación le presentamos algunas sugerencias para asegurar un rendimiento eficiente del producto.

Selección del lugar de montaje adecuado

Los ventiladores de techo se deben instalar en el centro de la habitación, a 2 m (7 pies) de altura del piso como mínimo y 0,5 m (18 pulgadas) de las paredes. Si la altura del techo lo permite, instale el ventilador a 2,5 m (8-9 pies) por encima del suelo para un flujo de aire óptimo. Consulte en su tienda minorista de Fanimation para obtener accesorios de montaje opcionales.

Apague el ventilador cuando no se encuentre en la habitación

Los ventiladores son para refrescar a la gente, no a las habitaciones. Si la habitación está vacía, apague el ventilador de techo para ahorrar energía.

Uso del ventilador de techo todo el año

En verano: Use el ventilador de techo en sentido contrario a las agujas del reloj. El flujo de aire que produce el ventilador creará un efecto frío del aire que lo refrescará más. Seleccione una velocidad que le proporcione una brisa confortable. Las velocidades más bajas consumen menos energía.

En invierno: Invierta el motor y haga funcionar el ventilador de techo a velocidad baja y en el sentido de las agujas del reloj. Esto produce una suave corriente ascendente, que obliga al aire cálido que se acumula cerca del techo a bajar al espacio ocupado. No olvide ajustar el termostato cuando utilice el ventilador de techo. Con este sencillo paso puede ahorrar energía adicional y dinero.

Requisitos eléctricos y estructurales

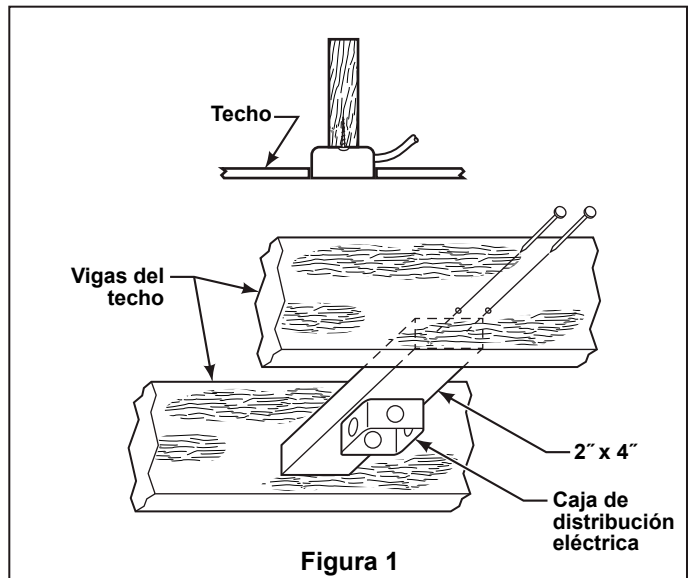
Su nuevo ventilador de techo requiere una línea de suministro eléctrico con conexión a tierra de 120 voltios de CA, 60 Hz, circuito de 15 amperios. La caja de distribución eléctrica debe estar bien asegurada y debe ser capaz de soportar una carga de, al menos, 22,7 kg (50 lb). La Figura 1 muestra diversas configuraciones estructurales que podrían utilizarse para montar la caja de distribución eléctrica.

⚠ ADVERTENCIA

Para reducir el riesgo de incendios, descargas eléctricas o lesiones personales, fije el ventilador a la caja de distribución eléctrica marcada como aceptable para soporte de ventilador. Utilice los tornillos suministrados con la caja de distribución eléctrica. La mayoría de las cajas de distribución eléctrica que comúnmente se utilizan como soporte de lámparas no son aptas para soporte de ventiladores y es posible que deban reemplazarse. Consulte a un electricista calificado si tiene dudas.

⚠ ADVERTENCIA

Apagar el interruptor de pared no es suficiente. Para evitar posibles descargas eléctricas, asegúrese de que la electricidad esté desconectada en la caja de fusibles principal antes de realizar la instalación eléctrica. Toda instalación eléctrica debe cumplir con los Códigos nacionales y locales y el ventilador de techo debe tener la conexión a tierra adecuada como forma de precaución ante posibles descargas eléctricas.



⚠ ADVERTENCIA

A fin de evitar incendios o descargas eléctricas, siga con cuidado todas las instrucciones de instalación eléctrica. Cualquier trabajo eléctrico que no se describa en estas instrucciones deberá ser realizado o aprobado por un electricista autorizado.

Cómo ensamblar el ventilador de techo

1. Afloje el tornillo de fijación de la semiesfera y retírela hasta que ésta pueda desplazarse libremente por el barral. (Figura 1) Retire el pasador del barral y luego extraiga la semiesfera. Conserve el pasador y la semiesfera para su reinstalación en el Paso 5.

2. El ventilador viene con cables de 2 m (80") de color azul, negro y blanco. Separe y desenrosque los tres cables y el cable de seguridad. Pase los cables a través del barral.

NOTA: Podrá utilizar el barral de 15 cm (6") que viene con el ventilador o un barral optativo comprado por separado.

3. Afloje los dos tornillos de fijación del soporte del barral. Alinee los orificios del pasador en el barral con los orificios del soporte del mismo. Coloque el pasador y asegúrelo con el pasador de horquilla. (Figura 3) Asegúrese de empujar la pata recta del pasador de horquilla a través del orificio cerca de la punta del pasador hasta que la parte curva del pasador de horquilla se cierre con un clic alrededor del pasador. El pasador de horquilla debe estar instalado correctamente para evitar que el pasador se afloje. Tire del barral para asegurarse de que el pasador está instalado correctamente.

⚠ ADVERTENCIA

Es de suma importancia que el pasador del soporte del barral esté colocado correctamente y que los tornillos de fijación y estén bien ajustados. Si el pasador y los tornillos de fijación no están correctamente colocados, el ventilador podría caerse.

4. Pase los cables a través de la cubierta de unión del motor y el capuchón (con cubierta para el tornillo del capuchón) del ventilador como se muestra, con el lado abierto apuntando hacia arriba. (Figura 3)

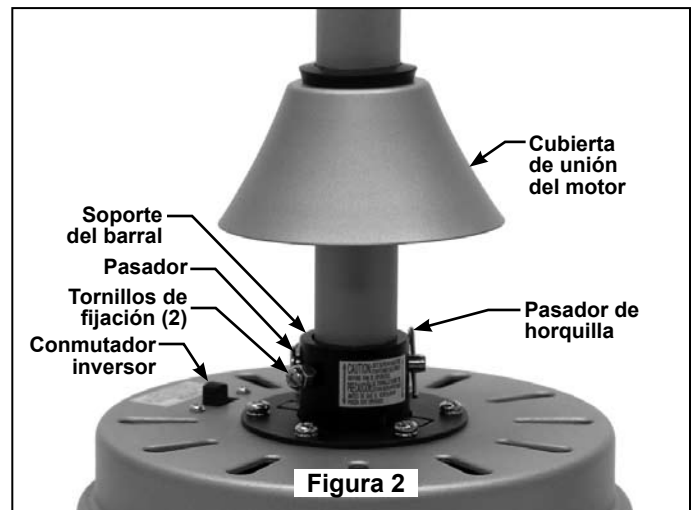
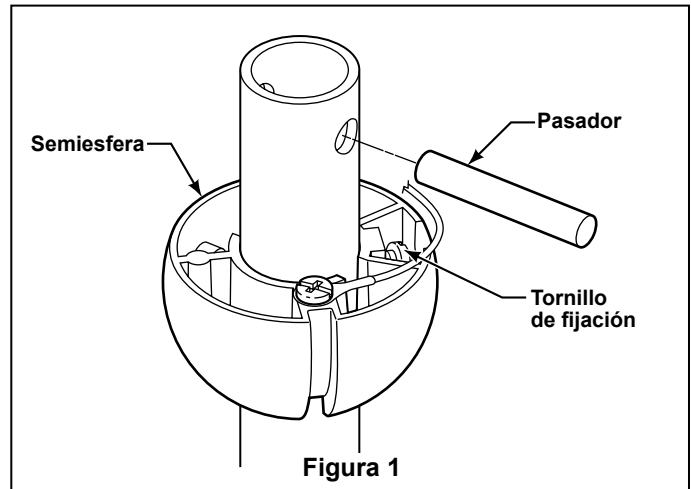
5. Vuelva a colocar la semiesfera (Figura 1) en el barral como se indica a continuación. Pase los tres cables de 2 m (80") y el cable de seguridad a través de la semiesfera. Pase el pasador a través de los dos orificios en el barral y alinee la semiesfera de modo que el pasador quede atrapado en la ranura de la parte superior de la misma. Empuje la semiesfera hacia arriba, bien ajustada contra el pasador. **Ajuste firmemente el tornillo de fijación de la semiesfera. Si el tornillo está flojo, podría provocar oscilación del ventilador.**

6. Mientras empuja la semiesfera hacia arriba, ajuste bien los dos tornillos de fijación con tuercas en el soporte de barral. Deslice la cubierta de unión del motor hacia abajo hasta la parte superior de la caja del motor. (Figuras 2 y 3)

7. Antes de instalar el ventilador, mida aproximadamente de 15 a 23 cm (6 a 9 pulgadas) por encima de la parte superior de la unidad del barral/de la semiesfera. Corte el excedente de cable y pele 1,2 cm (1/2") del aislamiento a partir del extremo del cable.

8. Se deben revisar todos los tornillos y volver a ajustarlos cuando sea necesario antes de realizar la instalación.

9. De esta manera completó el ensamblaje superior de su nuevo ventilador de techo. Ahora puede continuar con las instrucciones para colgar el ventilador y realizar la instalación eléctrica.



Cómo Colgar el Ventilador de Techo

⚠ ADVERTENCIA

Para evitar posibles descargas eléctricas, asegúrese de que la electricidad esté desconectada en la caja de fusibles principal antes de colgar el ventilador.

NOTA: Si no está seguro si la caja de distribución eléctrica tiene conexión a tierra, pida asesoramiento a un electricista autorizado, ya que la conexión a tierra es importante para un funcionamiento seguro.

⚠ ADVERTENCIA

Las aspas del ventilador deben estar suspendidas, al menos, a 2 m (7') del piso. (Figura 1)

⚠ ADVERTENCIA

La caja de distribución eléctrica debe estar bien asegurada y ser capaz de soportar una carga de, al menos, 22,7 kg (50 lb). El soporte de suspensión debe estar colocado firmemente contra la caja de distribución eléctrica. Si la caja de distribución eléctrica está empotrada, retire la tablaroca hasta que el soporte haga contacto con la caja. Si el soporte o la caja de distribución eléctrica no están bien asegurados, el ventilador podría oscilar o caerse.

PRECAUCIÓN

No conecte las aspas hasta que el ventilador esté totalmente instalado. Colgar el ventilador con las aspas conectadas podría ocasionar daños en las mismas.

1. Fije bien el soporte de suspensión a la caja de distribución con los tornillos y las arandelas suministrados con la misma. (Figura 2)

NOTA: Se deben pasar los tornillos de la caja de distribución eléctrica a través de los orificios que se encuentran en el soporte de suspensión. (Figura 2)

2. Pase los cables eléctricos de la caja de distribución eléctrica a través de la abertura del soporte de suspensión, dóblelos hacia arriba y apártelos de modo que la semiesfera se ajuste fácilmente en el soporte de suspensión.

3. Con cuidado, levante el ventilador y apoye la unidad del barral/de la semiesfera en el soporte de suspensión que acaba de fijar a la caja de distribución eléctrica (Figura 3). Asegúrese de que la ranura en la semiesfera esté alineada con el reborde del soporte de suspensión (Figura 2).

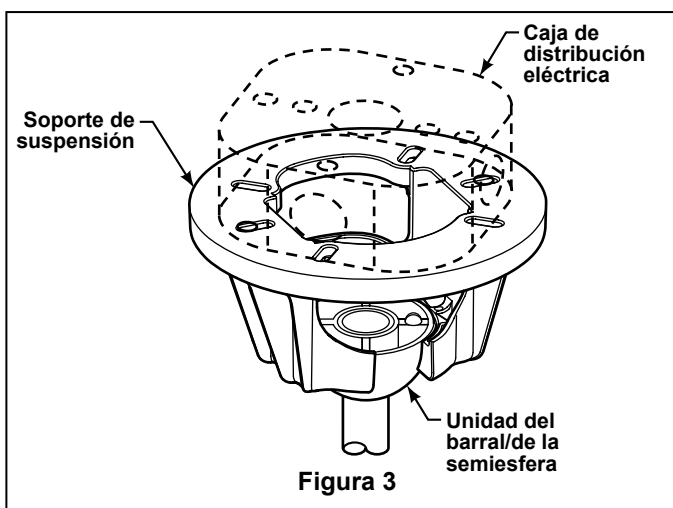
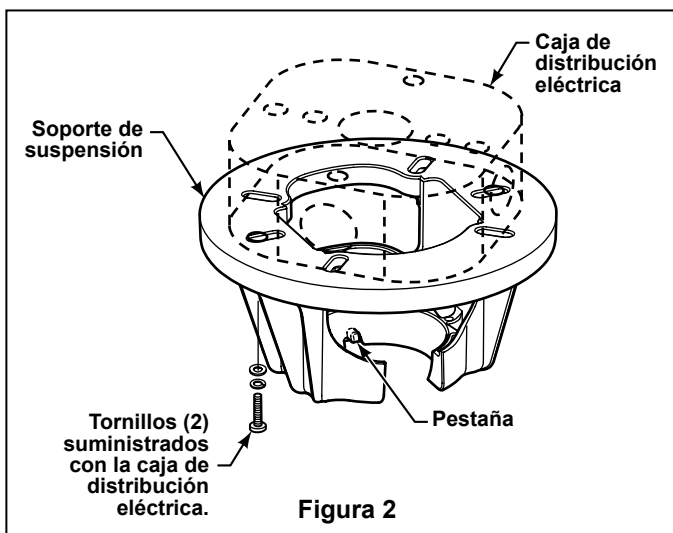
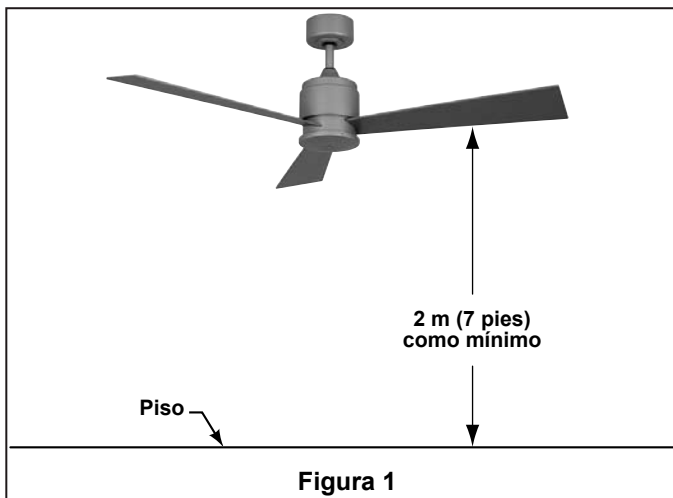
4. Después de empalmar, la conexión eléctrica debe doblarse hacia arriba e insertarse con cuidado en la caja de distribución eléctrica.

⚠ ADVERTENCIA

Si la pestaña no está en la ranura, podrían producirse daños en los cables eléctricos y posibles descargas eléctricas o incendios.

⚠ ADVERTENCIA

Para evitar una posible descarga eléctrica, no aprisione los cables entre la unidad del barral/de la semiesfera y el soporte de suspensión.



Cómo realizar la instalación eléctrica del ventilador de techo (control de pared CW40)

Si siente que no posee la experiencia o los conocimientos eléctricos necesarios, contrate a un electricista autorizado para instalar el ventilador.

⚠ ADVERTENCIA

Para evitar posibles descargas eléctricas, asegúrese de que la electricidad esté desconectada en la caja de fusibles principal antes de realizar la instalación eléctrica.

NOTA: Si no está seguro si la caja de distribución eléctrica tiene conexión a tierra, pida asesoramiento a un electricista autorizado, ya que la conexión a tierra es importante para un funcionamiento seguro.

1. Instalación del control de pared (Figuras 1 y 2):

- Con la electricidad todavía desconectada, retire la placa para pared y el interruptor existentes.
- Realice las conexiones eléctricas con tuercas para terminales como se muestra en la Figura 1.
 - Un cable negro de la unidad de control de pared a cable negro (suministro con carga).
 - Un cable negro de la unidad de control de pared a cable negro que conecta con la caja de distribución eléctrica del techo.
 - Un cable verde de la unidad de control de pared a cable de conexión a tierra que conecta con la caja de distribución eléctrica del techo.
- Fije la unidad de control de pared a la caja de distribución eléctrica con los dos tornillos de 6-32 suministrados.
- Fije la placa de pared al frente del control de interruptor con los dos tornillos pequeños suministrados.

NOTA: El cable azul DEBE estar cubierto si no instala el kit de iluminación opcional.

⚠ ADVERTENCIA

Verifique que todas las conexiones estén bien ajustadas, incluida la conexión a tierra, y que no haya ningún cable desnudo visible en los conectores de cables, a excepción del cable de conexión a tierra. No haga funcionar el ventilador hasta que las aspas estén colocadas. Podrían producirse ruidos y daños en el ventilador.

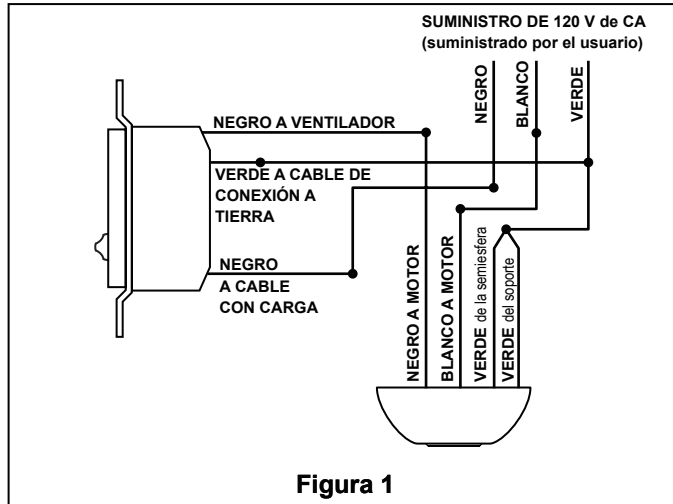


Figura 1

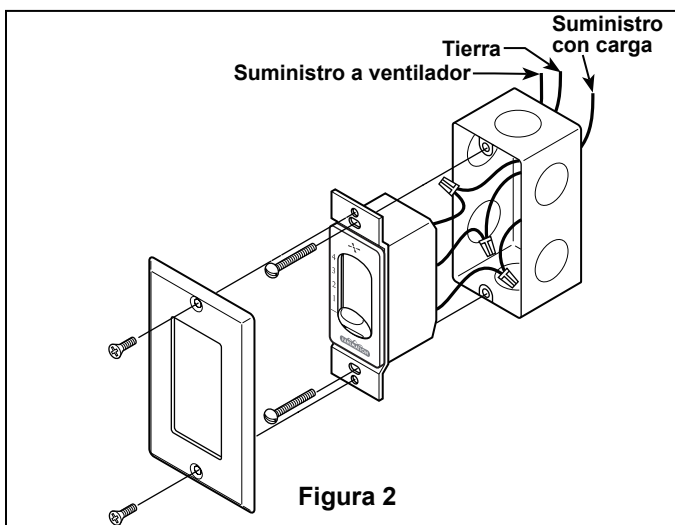


Figura 2

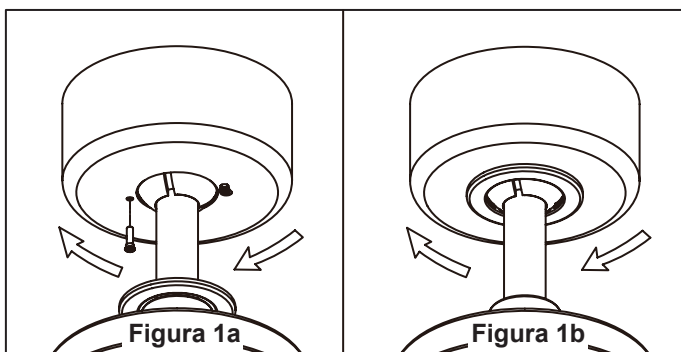
Instalación de la cubierta del capuchón

NOTA: Este paso se debe realizar luego de completar la instalación eléctrica necesaria.

⚠ ADVERTENCIA

Para evitar posibles incendios o descargas eléctricas, asegúrese de que los cables eléctricos se encuentran completamente adentro de la cubierta del capuchón y de que no están aprisionados entre la cubierta y el techo.

1. Afloje los dos tornillos de reborde en el soporte de suspensión.
2. Fije firmemente la cubierta del capuchón sobre los tornillos de reborde (Figura 1a).
3. Fije firmemente y ajuste la cubierta para el tornillo del capuchón sobre los tornillos de reborde en el soporte de suspensión, utilizando el mecanismo de seguro por giro del chavetero (Figura 1b).



Montaje de las aspas del ventilador y la cubierta de la caja del interruptor.

NOTA DE INSTALACIÓN

No conecte las aspas hasta que el ventilador esté totalmente instalado. Instalar el ventilador con las aspas colocadas podría ocasionar daños en las mismas.

⚠ ADVERTENCIA

Para reducir el riesgo de lesiones personales, no doble las aspas al instalar, balancear o limpiar el ventilador. No coloque objetos extraños entre las aspas del ventilador en funcionamiento.

Ensamblaje de las aspas:

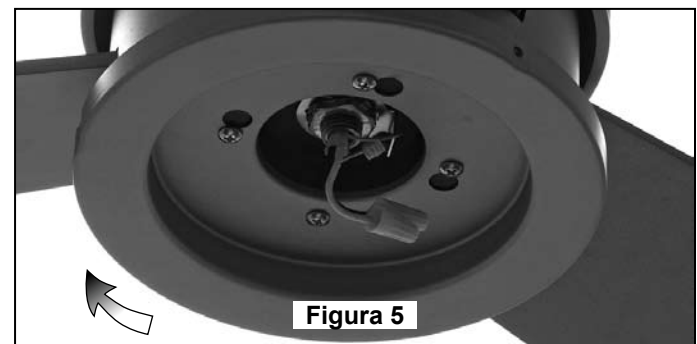
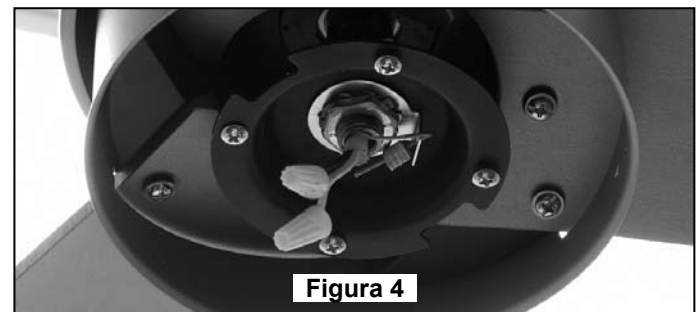
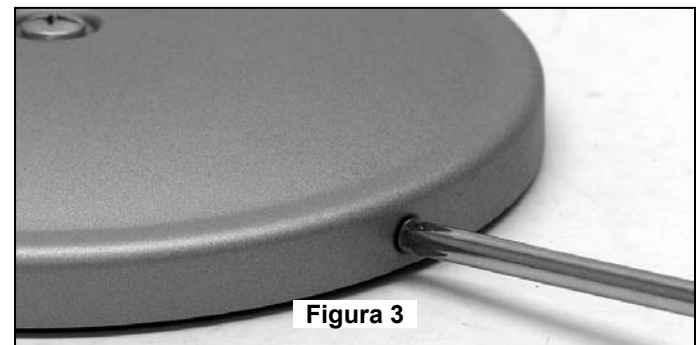
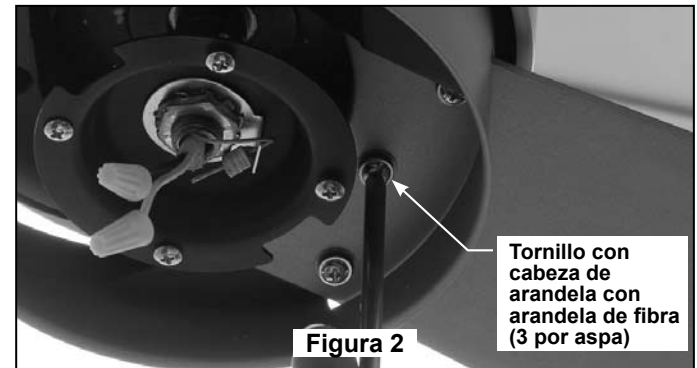
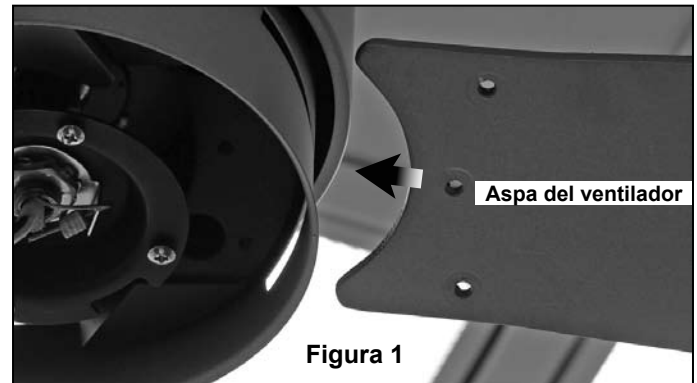
1. Deslice con cuidado las aspas a través de la ranura, como se muestra. (Figura 1)
2. Asegure bien las tres aspas con tornillos con cabeza de arandela con arandelas de fibra. No ajuste demasiado. (Figura 2)

Cubierta de la caja del interruptor:

3. Desarme la cubierta de la placa de soporte de la caja del interruptor retirando tres tornillos. (Figura 3)

4. Afloje tres tornillos y extraiga un tornillo de la brida de soporte. (Figura 4)

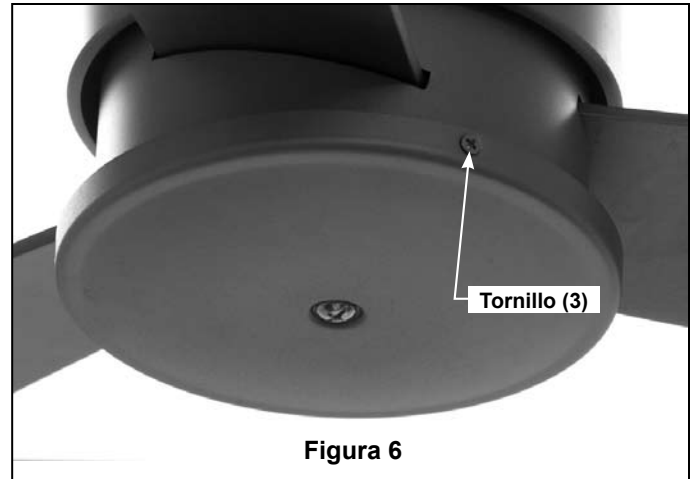
5. Ajuste la placa de soporte de la caja del interruptor a la brida de soporte rotando la placa y colocando correctamente los tornillos en los orificios de las ranuras. Instale el cuarto tornillo en el orificio restante. Ajuste completamente los cuatro tornillos. (Figura 5)



Montaje de las aspas del ventilador y la cubierta de la caja del interruptor (cont.)

6. Ensamble la cubierta de la caja del interruptor a la placa de soporte de la caja del interruptor ya ensamblada con tres tornillos incluidos. (Figura 6)

7. Vuelva a conectar la corriente eléctrica y el ventilador se encuentra ahora conectado y se puede encender y apagar por medio del control de velocidad de pared.



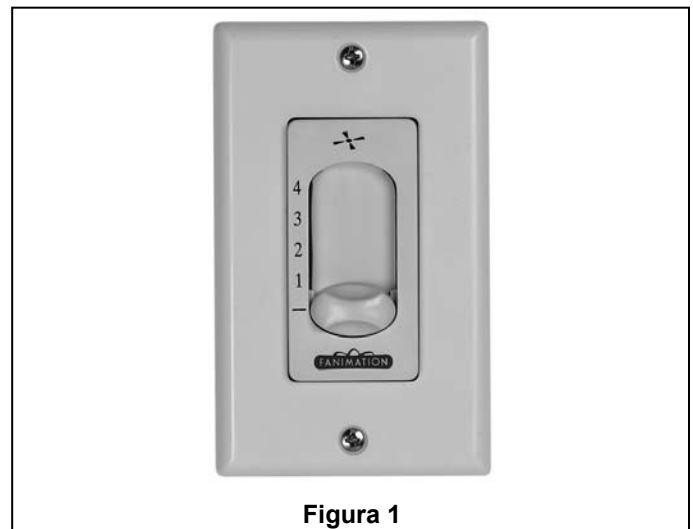
Instrucciones de funcionamiento - Control de pared CW40

1. Vuelva a conectar la corriente eléctrica en la caja de distribución eléctrica mediante la conexión de la electricidad en la caja de fusibles principal.

2. Su modelo de ventilador está equipado con un control de pared con interruptor deslizante de 4 posiciones y 3 velocidades. La secuencia de funcionamiento es la siguiente:

- 4ta posición = velocidad baja
- 3era posición = velocidad media
- 2da posición = velocidad media a alta
- 1era posición = velocidad alta
- Posición — = ventilador apagado

3. Si desea que el flujo de aire se desplace en la dirección opuesta, apague el ventilador y espere que las aspas se detengan. Deslice el conmutador inversor a la posición contraria (ubicado en la parte superior de la carcasa del ventilador) y vuelva a encender el ventilador.



Mantenimiento

El único mantenimiento necesario para el ventilador de techo es una limpieza periódica.

Al llevar a cabo la limpieza, use sólo un cepillo suave o un paño sin pelusas, para evitar rayar la terminación.

No se requieren agentes abrasivos de limpieza; los mismos deben evitarse para prevenir daños en la terminación.

PRECAUCIÓN

No utilice agua para limpiar el ventilador de techo. Podría dañar el motor o las aspas y ocasionar posibles descargas eléctricas.

Limpieza de las aspas

Se recomienda limpiar el polvo de las aspas periódicamente. Lo mejor es utilizar un plumero.

Evite usar agua, productos de limpieza o trapos ásperos, que pueden combar o dañar las aspas.

Lista de piezas

Modelo FP4620**

N.º de ref.	Descripción	Pieza N.º
1	Ensamblaje del soporte de suspensión con tornillos	AP255BL
2	<i>Unidad del barral/de la semiesfera que contiene:</i>	ADR1-6**
2a	Unidad de la semiesfera	
2b	Barral	
2c	Pasador	
2d	Pasador de horquilla	
3	Capuchón	PG154**
4	Cubierta para el tornillo del capuchón	AP260**
5	Cubierta de unión del motor con arandela	AP1115**
6	Unidad del motor del ventilador	AMA4620**
7	Cubierta de la caja del interruptor con tornillos de cabeza plana (3)	AP462010**
8	Juego de aspas (3)	AP442007**
9	Control de pared	CW40
10	<i>Bolsa de accesorios que contiene:</i>	HDWFP4620
	Kit de balanceo de aspas (KTBAL)	HDWHW4620
	Conectores de cables (4)	
	<i>Bolsa de accesorios para el montaje de aspas que contiene:</i>	HDWBM4620
	Tornillo con cabeza de arandela de $3/16$ -24 x 15 mm (10)	
	Arandelas de fibra (10)	
	Destornillador Phillips de 4"	

Inserte los **CÓDIGOS DE TERMINACIÓN (consulte el número de modelo del ventilador que se encuentra en el soporte de barral)

Antes de desechar los materiales de embalaje, asegúrese de haber extraído todas las piezas

Cómo ordenar piezas

Al ordenar piezas de repuesto, proporcione siempre la siguiente información:

- Número de pieza
- Descripción de la pieza
- Número de modelo del ventilador

Póngase en contacto con su tienda para obtener las piezas de repuesto.

El Zonix™ Despiece del modelo FP4620**

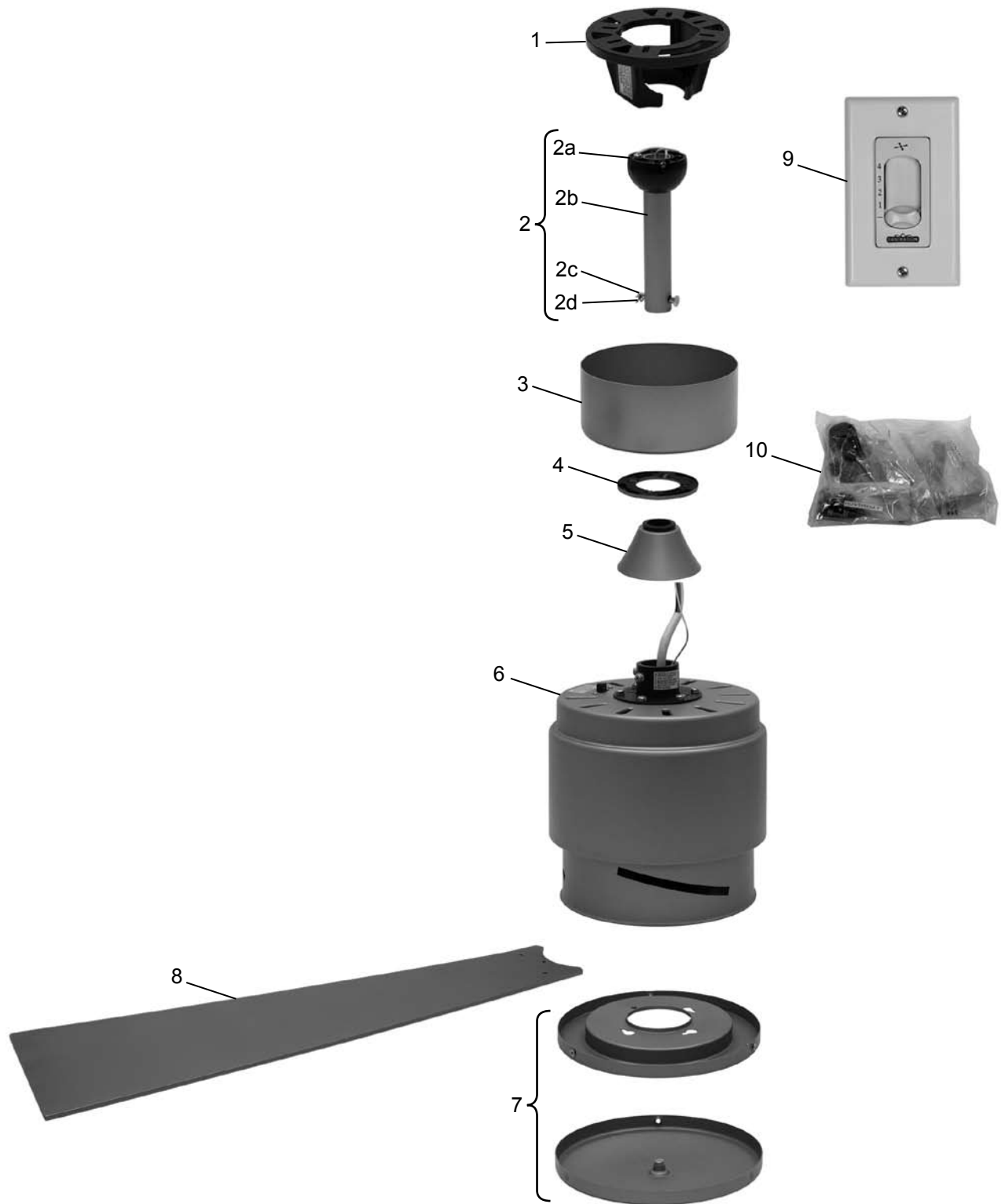


Figura 1

NOTA: La ilustración que se muestra no está hecha a escala y su configuración real puede variar. El producto/las piezas están sujetos a cambios sin previo aviso.

Solución de problemas

⚠ ADVERTENCIA

Para su propia seguridad, desconecte la electricidad de la caja de fusibles o disyuntor antes de solucionar problemas en su ventilador.

Problema	Causa posible	Solución sugerida
1. EL VENTILADOR NO ARRANCA	<ol style="list-style-type: none"> 1. El fusible o el disyuntor están fundidos. 2. Las conexiones eléctricas del ventilador o del interruptor en la caja del interruptor están flojas. 3. El conmutador inversor se encuentra en posición neutra. 	<ol style="list-style-type: none"> 1. Controle los fusibles del circuito principal y derivado o los disyuntores. 2. Controle las conexiones eléctricas del ventilador y del interruptor en las cajas de los interruptores. <p>PRECAUCIÓN: ¡Asegúrese de que el suministro principal de electricidad esté desconectado!</p> <ol style="list-style-type: none"> 3. Asegúrese de que el conmutador inversor esté completamente a un lado.
2. EL VENTILADOR HACE RUIDO	<ol style="list-style-type: none"> 1. Las aspas no están sujetas al ventilador 2. Hay tornillos flojos en la caja del motor. 3. Los tornillos que aseguran los soportes de las aspas al buje del motor están flojos. 4. Los conectores de cables dentro de la caja hacen ruido. 5. Ruido del motor provocado por el control de velocidad de estado sólido variable. 6. Las tuercas de fijación que sujetan las aspas a los soportes de aspas están flojas. 7. El tornillo del soporte de la cubierta inferior está flojo. 	<ol style="list-style-type: none"> 1. Ajuste las aspas al ventilador antes de ponerlo en funcionamiento. 2. Asegúrese de que todos los tornillos de la caja del motor estén bien ajustados (pero no en exceso). 3. Asegúrese de que los tornillos que fijan los soportes de aspas al buje del motor del ventilador estén bien ajustados. 4. Asegúrese de que los conectores de cables en la caja del interruptor no produzcan ruido al rozar unos con otros o al rozar la pared interior de la caja del interruptor. <p>PRECAUCIÓN: ¡Asegúrese de que el suministro principal de electricidad esté desconectado!</p> <ol style="list-style-type: none"> 5. Algunos motores de ventilador son sensibles a las señales de los controles de velocidad de estado sólido variables. Los controles de estado sólido no son recomendables. escoja un método de control alternativo. 6. Ajuste bien las tuercas de fijación. 7. Asegure bien los tornillos de fijación.
3. EL VENTILADOR OSCILA EN EXCESO	<ol style="list-style-type: none"> 1. El tornillo de fijación y la tuerca del soporte de barral están flojos. 2. El tornillo de fijación en la unidad del barral/de la semiesfera está flojo. 3. Los tornillos que aseguran los soportes de las aspas al buje del motor están flojos. 4. Los soportes de aspas no están colocados correctamente. 5. El soporte de suspensión o la caja de distribución eléctrica del techo no están bien asegurados. 6. Las aspas del ventilador están desbalanceadas. 	<ol style="list-style-type: none"> 1. Ajuste bien los dos tornillos de fijación y las tuercas en el soporte de barral. 2. Ajuste el tornillo de fijación en la unidad del barral/de la semiesfera. 3. Asegúrese de que los tornillos que fijan los soportes de aspas al buje del motor del ventilador estén bien ajustados. 4. Asegúrese de que los soportes de las aspas del ventilador estén colocados firmemente y de manera uniforme en relación con la superficie de la caja del motor. Si los soportes están mal colocados, afloje los tornillos y vuelva a ajustarlos. 5. Ajuste los tornillos del soporte de suspensión de la caja de distribución eléctrica y asegúrela. 6. Al intercambiar la posición de las aspas, puede redistribuir el peso y hacer que el ventilador funcione más suavemente. Por ejemplo, intercambie las aspas en las posiciones 1 y 3, o 1 y 4. Si esto no mejora el nivel de oscilación, intercambie la 2 por la 4, o la 2 por la 5.
4. NO HAY SUFICIENTE MOVIMIENTO DE AIRE		<ol style="list-style-type: none"> 1. Si es posible, considere el uso de un barral más largo. Por ejemplo, use un barral de 30,5 cm (12") en lugar del barral de 15 cm (6") que viene con el ventilador.



**10983 Bennett Parkway
Zionsville, IN 46077
(888) 567-2055
FAX (866) 482-5215**

**Desde fuera de los EE.UU., llame al (317) 733-4113
Visite nuestro sitio web en www.fanimation.com**