



# INSTALLATION INSTRUCTIONS

## IMPORTANT SAFETY INSTRUCTIONS MESURES DE SECURITE A RESPECTURE

Before assembling your ACCESS LIGHTING fixture, please make sure that you carefully read through this instruction sheet. Save this instruction sheet and refer to it when additions to or changes in the fixture configuration are made. Lisez attentivement ce manuel d'instructions. Enregistrer cette feuille d'instructions et de s'y référer lorsque les ajouts ou changements dans la configuration de montage sont faites.

CONSULT A QUALIFIED ELECTRICIAN TO ENSURE CORRECT BRANCH CIRCUIT CONDUCTOR.

CONSULTER UN ELECTRICIEN QUALIFIE POUR VOUS ASSURER QUE LES CONDUCTEURS DE LA DERIVATION SONT ADEQUATS

THIS PRODUCT MUST BE INSTALLED IN ACCORDANCE WITH THE APPLICABLE INSTALLATION CODE BY A PERSON FAMILIAR WITH THE CONSTRUCTION AND OPERATION OF THE PRODUCT AND THE HAZARDS INVOLVED.

CE PRODUIT DOIT ETRE INSTALLE SELON LE CODE D'INSTALLATION PERTINENT, PAR UNE PERSONNE QUI CONNAIT BIEN LE PRODUIT ET SON FONCTIONNEMENT AINSI QUE LES RISQUES INHERENTS

**NOTE:** The important safeguards and instructions that appear in this manual are not meant to cover all possible conditions and situations that may occur. It must be understood that common sense, caution and care, are factors that can't be built into any product. These factors must be supplied by the person(s) caring for and operating the fixture.

Read all instructions

Do not install this fixture in hazardous locations.

N'installez pas cet appareil dans des emplacements dangereux. Do not install any fixture assembly closer than 6 inches from any curtain or similar combustible material.

Laissez une distance d'au moins 6 pouces entre ce luminaire et la toute surface combustible.

"WARNING Risk of Fire and Electric Shock."

"CAUTION: Risque d' Incendie et de Choc Electriques."



**COLLECTION**  
JANINE

**APPLICATION**  
Pendant

**MODEL NO.**  
23087FC

### WHAT WE PROVIDE

- Mounting Hardware
- Fixture Assembly
- Crossbar
- Optional rods

### WHAT YOU NEED

- Screwdriver
- Wire Cutters
- Wiring Supplies as Specified by Electrical Code
- 1 x A19 E-26 incandescent bulb
- 1 x Glass shade

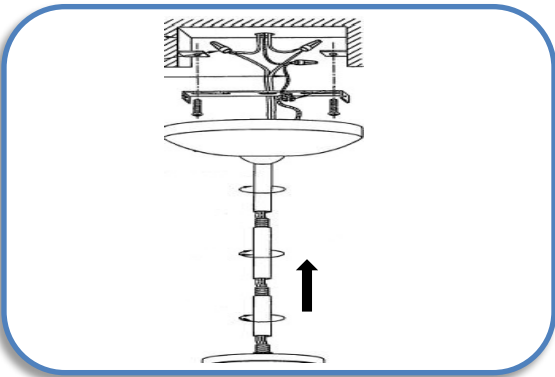
## GENERAL INFORMATION

All electrical connections must be in accordance with all ordinances, Local and the U.S. National Electrical Codes (NEC). These fixtures are intended for mounting to a standard 4" metal octagon outlet box. The box must be directly supported by the building structure and U.L. recognized.

## STEP BY STEP INSTRUCTIONS

Before starting your installation disconnect the Power by turning off the Circuit Breaker or by removing the fuse at the fuse box. Just turning the light off at the light switch is not sufficient to prevent electrical shock.

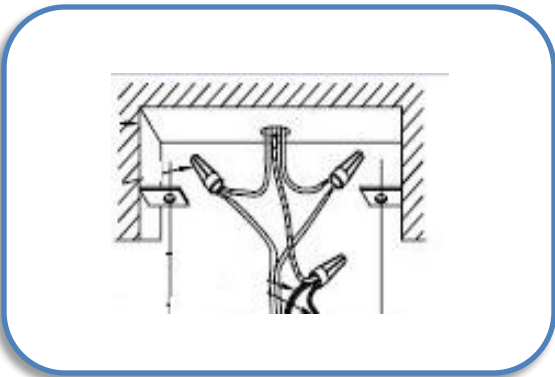
Dimmable fixture - see attached list for compatible dimmer switches



1

**PREPARE FIXTURE**

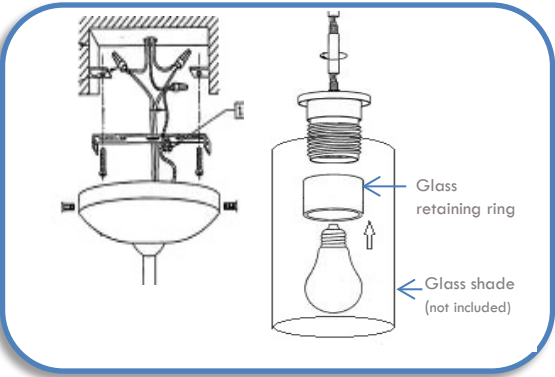
If there is an existing fixture remove it. Expose the supply wires from the J-box. Prepare the fixture by placing the rod through hole in the canopy. Feed both the fixture and ground wires up through the rod to the canopy. Screw the first rod onto the nipple protruding from the canopy. Screw the additional rod(s) together dependent upon the desired length.



2

**MAKE THE WIRE CONNECTIONS**

Gently pull the supply wires through the hole in the crossbar plate. Connect the black supply wire to the black fixture wire. Secure with the supplied wire nuts. Connect the white supply wire to the white fixture wire. Secure with the supplied wire nuts. Attach the green J-Box wire around green hexagonal head screw or connect it to the green supply grounding wire of the fixture. Secure all wires with electrical tape (not supplied). Tuck all wires carefully into the J-box

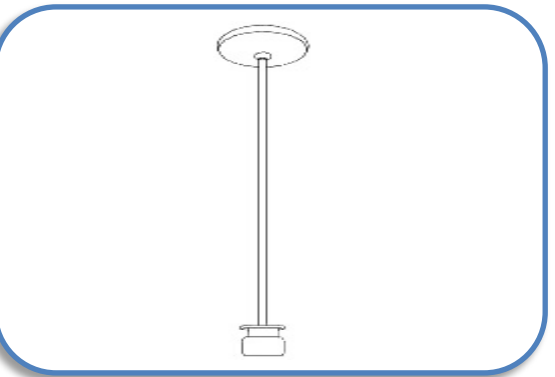


3

**SECURE CANOPY AND GLASS SHADE (NOT INCLUDED) AND INSERT BULB**

Mount the crossbar to the J-box with the supplied mounting screws. Position the canopy over the crossbar such that the holes on the sides of the canopy line up with the holes in the crossbar. Secure the canopy to the crossbar with the supplied screws. Remove the glass retaining ring, place glass (not included) over socket and secure with the retaining ring.

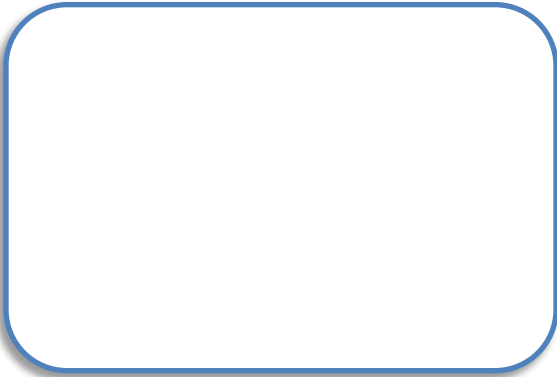
Insert the bulb.  
DO NOT EXCEED THE MAXIMUM WATTAGE AS STATED ON THE WARNING LABEL.



4

**RESTORE THE ELECTRICITY AND CHECK THE OPERATION OF YOUR NEW ACCESS LIGHTING FIXTURE**





**5**

**PREPARE FIXTURE**



**6**

**MAKE THE WIRE CONNECTIONS**



**7**

**RESTORE THE ELECTRICITY AND  
CHECK THE OPERATION OF YOUR NEW  
ACCESS LIGHTING FIXTURE**