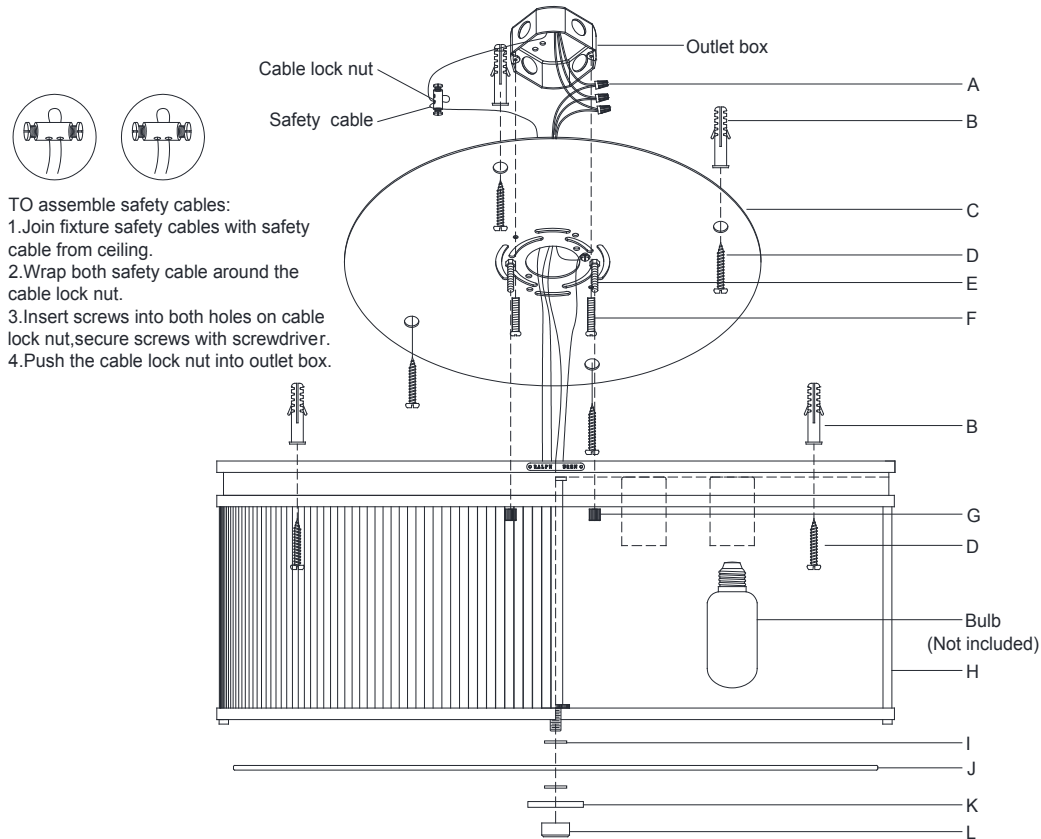


ASSEMBLY INSTRUCTIONS



TO assemble safety cables:

1. Join fixture safety cables with safety cable from ceiling.
2. Wrap both safety cable around the cable lock nut.
3. Insert screws into both holes on cable lock nut, secure screws with screwdriver.
4. Push the cable lock nut into outlet box.

Allen Grande Flush Mountt

Item # RL 4804

NOTICE:

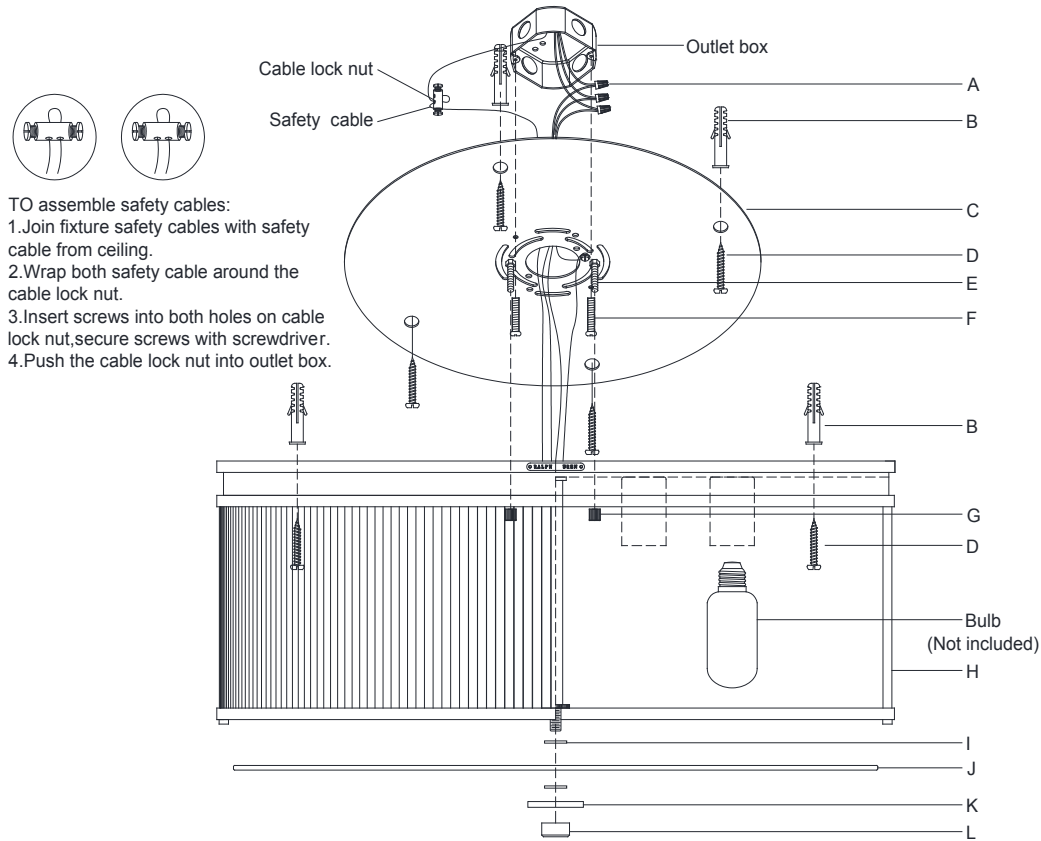
This light fixture should be installed in accordance with all applicable, local installation codes, and by a person familiar with the construction and operation of it, as well as the hazards involved. Inspect item and contents carefully. If any damage or defect is found, do not install. Retain all packaging material until installation is complete and approved.

1. Carefully remove all parts from the box.
2. Remove the mounting plate (C) from the fixture body (H) by loosening nuts (G).
3. Drill 4 holes on the ceiling and make sure the hole distance will match to the holes on the mounting plate (C) exactly.
4. Knock the anchors (B) into the ceiling holes.
5. Affix mounting plate (C) onto the outlet box and secure with mounting screws (F), then secure the screws (D) to the anchors (B).
6. With the fixture body as dimension, drill another 4 holes on the ceiling and make sure the hole distance will match to the holes on the fixture body (H) exactly.
7. Knock the anchors (B) into the ceiling holes.
8. Connect the hot wire (BLACK) from the fixture to the hot wire from the outlet box (usually BLACK). Fasten them together with a plastic wire connector (A) provided and wrap the connection with electrical tape.
9. Connect the neutral wire (WHITE) from the fixture to the wire from the outlet box (usually WHITE).
DO NOT REVERSE THE HOT AND NEUTRAL CONNECTIONS OR SAFETY WILL BE COMPROMISED.
10. Connect ground wire from the fixture (bare copper) to ground wire from the outlet box (usually green or copper in color).
IT IS IMPERATIVE THAT THIS FIXTURE BE GROUNDED.

RALPH LAUREN



ASSEMBLY INSTRUCTIONS



TO assemble safety cables:

1. Join fixture safety cables with safety cable from ceiling.
2. Wrap both safety cable around the cable lock nut.
3. Insert screws into both holes on cable lock nut, secure screws with screwdriver.
4. Push the cable lock nut into outlet box.

Allen Grande Flush Mountt

Item # RL 4804

NOTICE:

This light fixture should be installed in accordance with all applicable, local installation codes, and by a person familiar with the construction and operation of it, as well as the hazards involved. Inspect item and contents carefully. If any damage or defect is found, do not install. Retain all packaging material until installation is complete and approved.

11. Attach fixture body (H) onto the mounting plate (C), let screws (E) pass through the holes on the fixture body (H) and secure with nuts (G).
12. Secure the screws (D) to the anchors (B)

Care Instructions: Clean only with a soft dry cloth or feather duster. Do not use abrasive or chemical agents.

RALPH LAUREN

