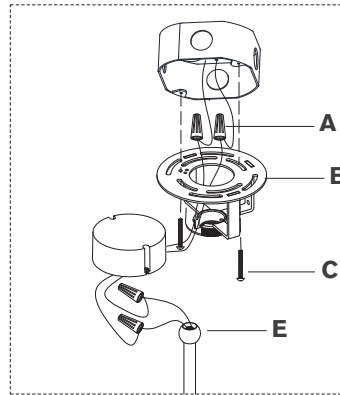
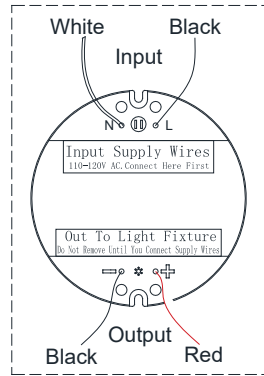
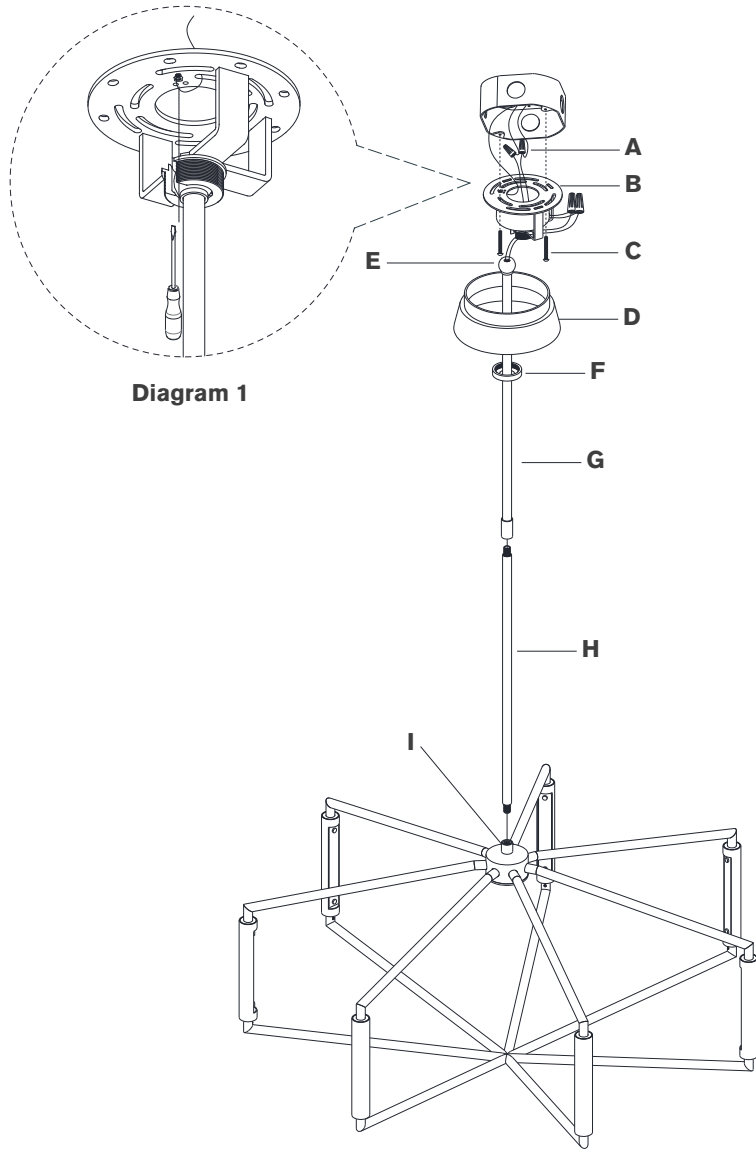


ASSEMBLY INSTRUCTIONS



Appareil 40" Low Profile Chandelier

Item # KW 5707

NOTICE:

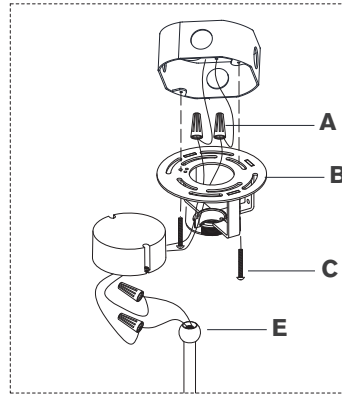
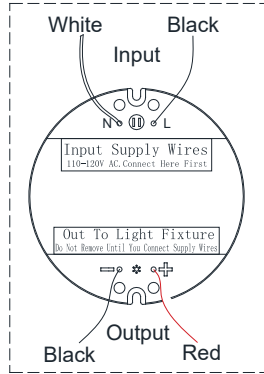
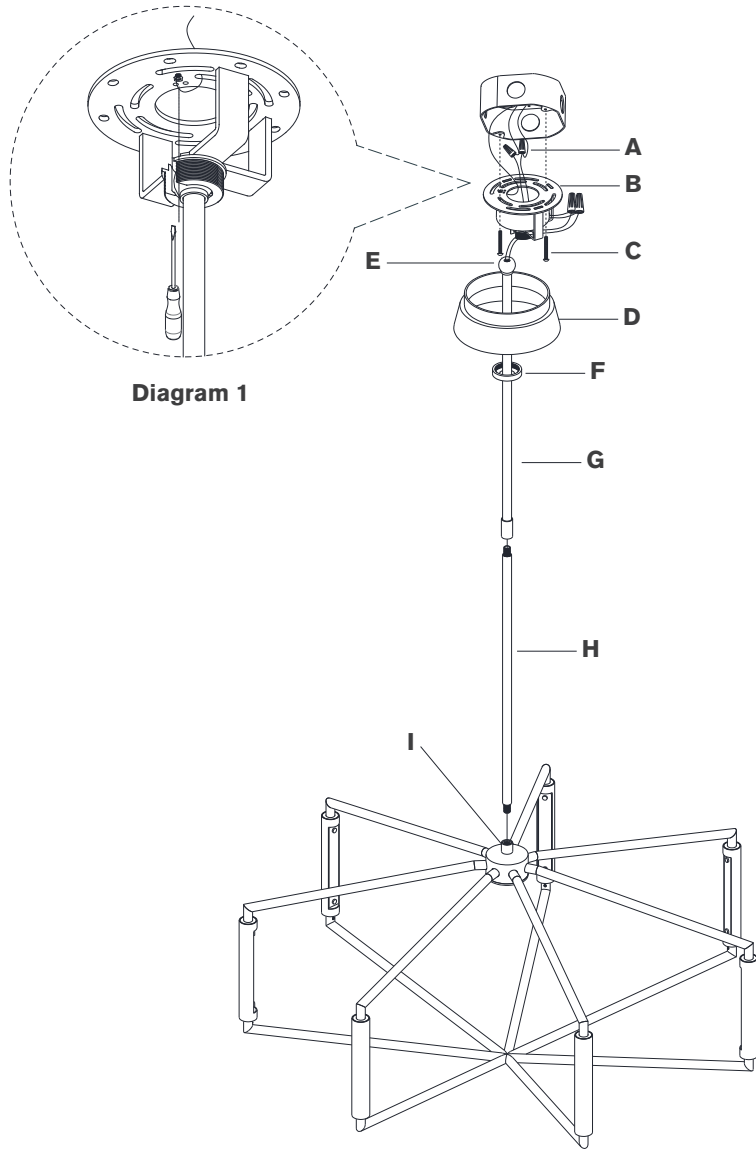
This light fixture should be installed in accordance with all applicable, local installation codes, and by a person familiar with the construction and operation of it, as well as the hazards involved. Inspect item and contents carefully. If any damage or defect is found, do not install. Retain all packaging material until installation is complete and approved.

TOOLS REQUIRED (NOT INCLUDED):

Phillips Screwdriver	Slotted Screwdriver	Wire Cutters
Slip Joint Pliers	Wire Strippers	

- Carefully remove all parts from the box. Place on a clean, soft surface.
- Remove mounting plate (B) from canopy (D) by loosening collar ring (F).
- Remove driver from the bracket of mounting plate (B).
- Install mounting plate (B) to junction box and secure with mounting screws (C).
- Connect supply ground wire (usually green or bare copper) around the green grounding screw (see diagram 1). Tighten.
NOTE: It is imperative that the fixture is grounded.
- Feed fixture wires through bottom rod (H) and connect to fixture body (I).
- Continue feeding fixture wires through collar ring (F), canopy (D) and top rod (G).
- Holding fixture upright, slide collar ring (F) and canopy (D) down bottom rod (H) and rest on fixture body (I). Then connect top rod (G) to bottom rod (H).
NOTE: Slide components down slowly to avoid damages.
- Hang fixture swivel ball (E) to the center of mounting plate (C).
- Cut excess wires, being sure to leave enough to reach the junction box.
NOTE: Separate black and red wires, and strip insulation on each 5/8".

ASSEMBLY INSTRUCTIONS



Appareil 40" Low Profile Chandelier

Item # KW 5707

NOTICE:

This light fixture should be installed in accordance with all applicable, local installation codes, and by a person familiar with the construction and operation of it, as well as the hazards involved. Inspect item and contents carefully. If any damage or defect is found, do not install. Retain all packaging material until installation is complete and approved.

11. Connect fixture neutral wire (black) to the driver output neutral wire (black) using wire nut **(A)**.
 12. Connect fixture hot wire (red) to the driver output hot wire (red) using wire nut **(A)**.
 13. Connect driver input neutral wire (white) to the supply neutral wire (usually white) using wire nut **(A)**.
 14. Connect driver input hot wire (black) to the supply hot wire (usually black) using wire nut **(A)**.
- CAUTION:** Do not reverse the hot and neutral connections.
15. Make sure all wire connections are tight, then carefully tuck into the junction box.
 16. Insert driver into mounting plate bracket.
 17. Install canopy **(D)** to mounting plate **(B)** and secure with collar ring **(F)**.

Care Instructions: Clean only with a soft dry cloth or feather duster. Do not use abrasive or chemical agent.