

RLF-2608-RTL

2" LED GIMBAL MINIATURE TRIMLESS
RECESSED DOWNLIGHTS WITH MUD-IN FLANGE



Fixture Type
Project
Notes



LED Gimbal Miniature Trimless Recessed Downlight series is designed for residential and commercial applications. With optional contemporary trimless look, integrated Gimbal trim, remote driver, and Mud-in Flange included. Housing is not required for remodel applications; plus 5-level field selectable color temperature is available.



SPECIFICATIONS

INPUT VOLTAGE	120V AC
WATTAGE	8 W
LUMENS	600 Lm
EFFICACY	75 Lm/W
CRI	90+
BEAM ANGLE	38°
DIMMING ¹	TRIAC Dimming
CUT-OUT	3" Ø

RATINGS	IC, Airtight
ENVIRONMENT	Indoor - Wet
CERTIFICATIONS	cETLus, T24 Compliant
LUMEN MAINTENANCE	50,000 hours
INCLUDES	Integrated gimbal trim, mud-in flange and remote driver
OPTIONAL	RLH-346-NC-UNI for cutout sizes 3", 4-1/4" or 6-1/4"
WARRANTY ²	5 years

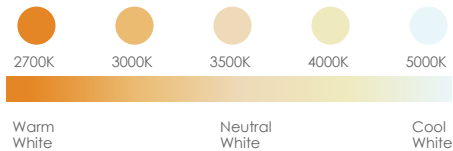
¹ Effectively dim down to 10% / See other compatible dimmers on the next page
² See published warranty terms for detailed information

PERFORMANCE

CCT selectable via switch on heatsink

COLOR TEMPERATURE ³	LUMEN ⁴	WATTAGE	EFFICACY	CRI
SW5 (27/30/35/40/50K) ⁵	600 W	8 W	75 Lm/W	90+

³ CCT within +/-10%
⁵ Switchable CCT



ORDERING INFO

Light Engine with LED, integrated Gimbal trim, remote driver, and Mud-in Flange



MODEL	CCT / CRI	FINISH
RLF-2608-RTL	SW5 SW5 - Switchable CCT (27/30/35/40/50) / 90 CRI	WH WH - White

OPTIONAL ACCESSORY

(Sold separately)



MODEL
RLH-346-NC-UNI
3" Mounting Plate. For cutout sizes: 3", 4-1/4" or 6-1/4"

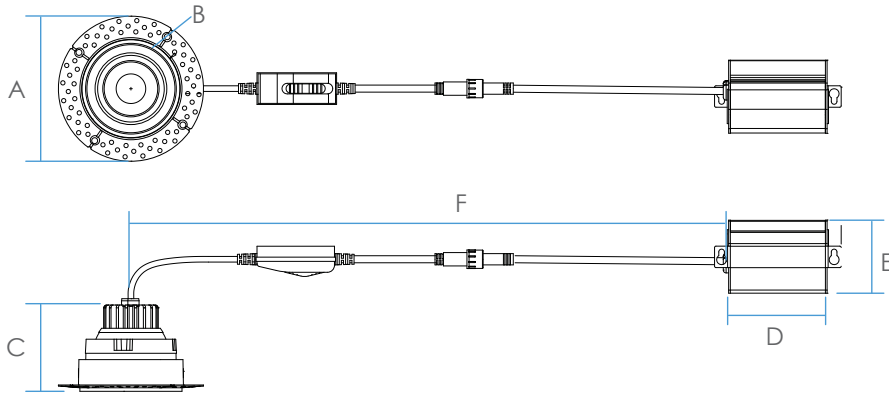
RLF-2608-RTL

2" LED GIMBAL MINIATURE TRIMLESS
RECESSED DOWNLIGHTS WITH MUD-IN FLANGE



Fixture Type
Project
Notes

TECHNICAL DRAWING



DIMENSIONS

A	4"	130 mm
B	2-3/4"	70 mm
C	2-1/2"	61 mm
D	2-3/4"	70 mm
E	2"	52 mm
F	16-1/2"	420 mm

COMPATIBLE DIMMERS

COOPER	SI06P
LEVITON	6621, 6672, IPL06-10Z
LUTRON	PD-6WCL, DVCL-153P, SFTU-5A3P, DMD-LE3-D, CTCL-153P, DV-600P