

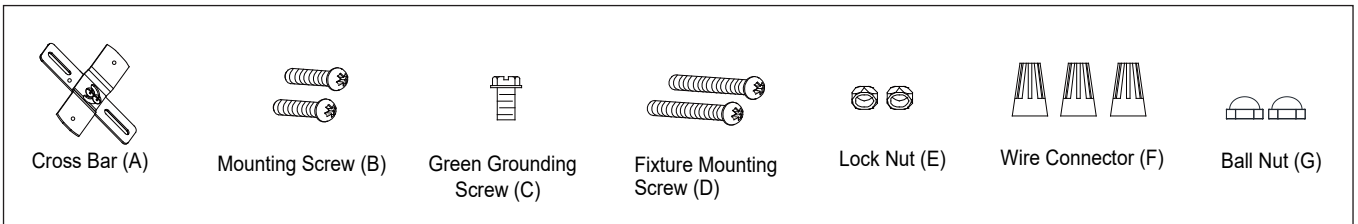
ASSEMBLY AND INSTALLATION INSTRUCTIONS

T0440

WARNING: TO AVOID RISK OF ELECTRICAL SHOCK, BE SURE TO SHUT OFF POWER BEFORE INSTALLING OR SERVICING THIS FIXTURE.

NOTES: 1. Before installing, consult local electrical codes for wiring and grounding requirements.
2. READ AND SAVE THESE INSTRUCTIONS.

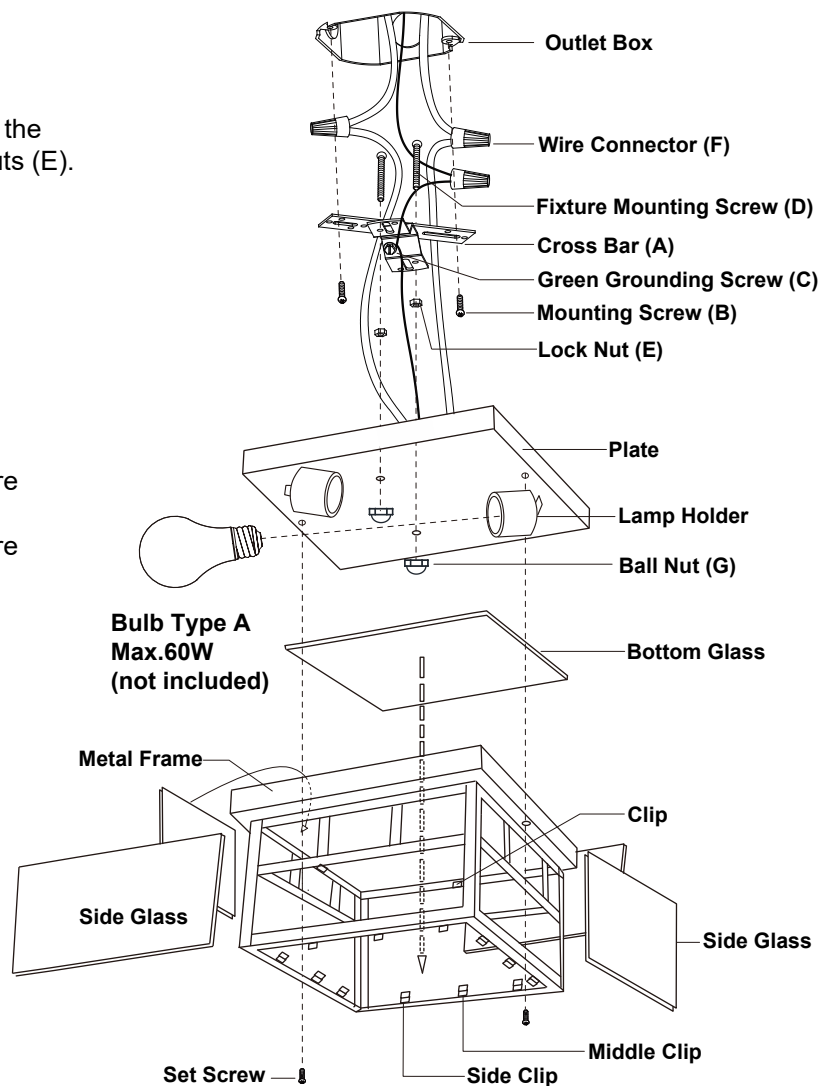
Hardware Package (Included):



Installation Steps

Turn off the power at fuse or circuit box

1. Thread two fixture mounting screws (D) through the cross bar (A), then secure them with two lock nuts (E).
2. Attach the cross bar (A) to the outlet box by using two mounting screws (B).
3. Unscrew set screw with the metal frame.
4. Pull out the outlet wires and housing grounding wire from the outlet box. Make wire connections using the wire connectors (F):
 - The black wire from the fixture to the black wire from the power source.
 - The white wire from the fixture to the white wire from the power source.
 - Attach the fixture grounding wire to the cross bar (A) with the green grounding screw (C). Then connect it to the house grounding wire with a wire connector (F).
 Carefully tuck the wires back into the outlet box.
5. Attach the plate to the cross bar (A) by inserting two fixture mounting screws (D), then secure it with the two ball nuts (G).
6. Install bulbs (not included). See the relamping label at socket area or packaging for maximum allowed wattage.
7. Place the bottom glass into the metal frame, then secure it with four middle clips which on the bottom of the metal frame.



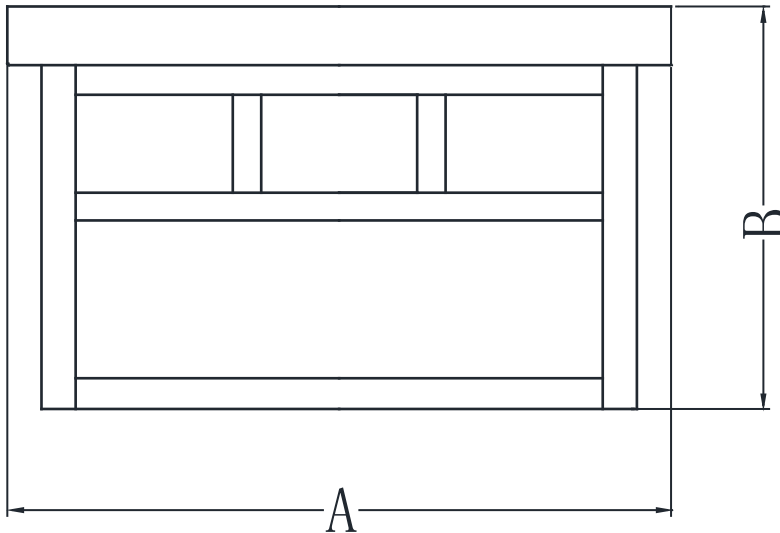
8. Place the side glasses inside the metal frame, then press the clips which on the top of the metal frame and the side clips which on the bottom of the metal frame to secure them.
9. Restore the metal frame assembly back to the plate, and then secure it with two set screws.

Turn on the power at fuse or circuit box

The following parts are available for re-order if damaged or missing.

Spare Parts List:

Cross Bar (A)	Mounting Screw (B)	Green Grounding Screw (C)	Fixture Mounting Screw (D)	<p>Mounting Hardware 5968MM(1 SET)</p>		
Lock Nut (E)	Wire Connector (F)	Ball Nut (G)			Glass (4 PCS) 10020CS	Glass (1 PCS) 10019CS



A: 11-1/2"
B: 7"