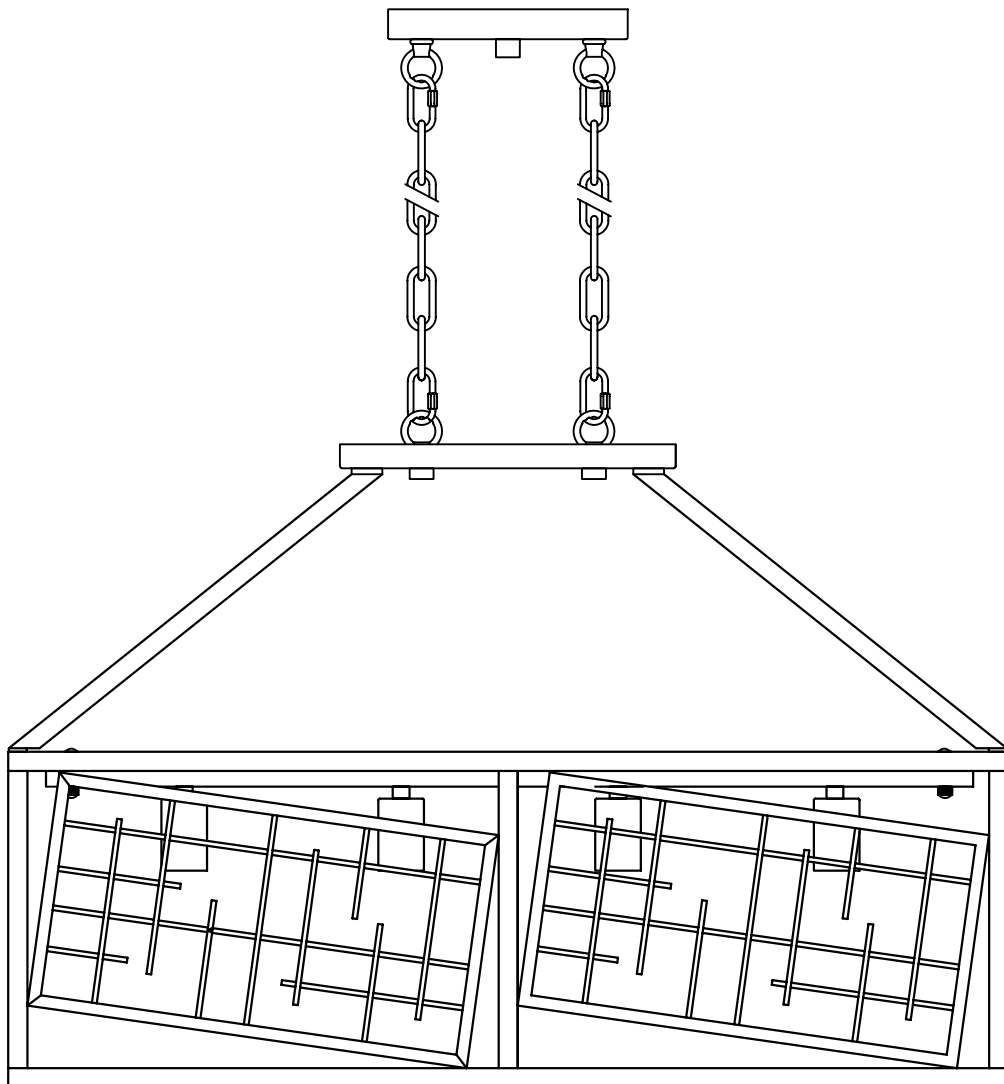




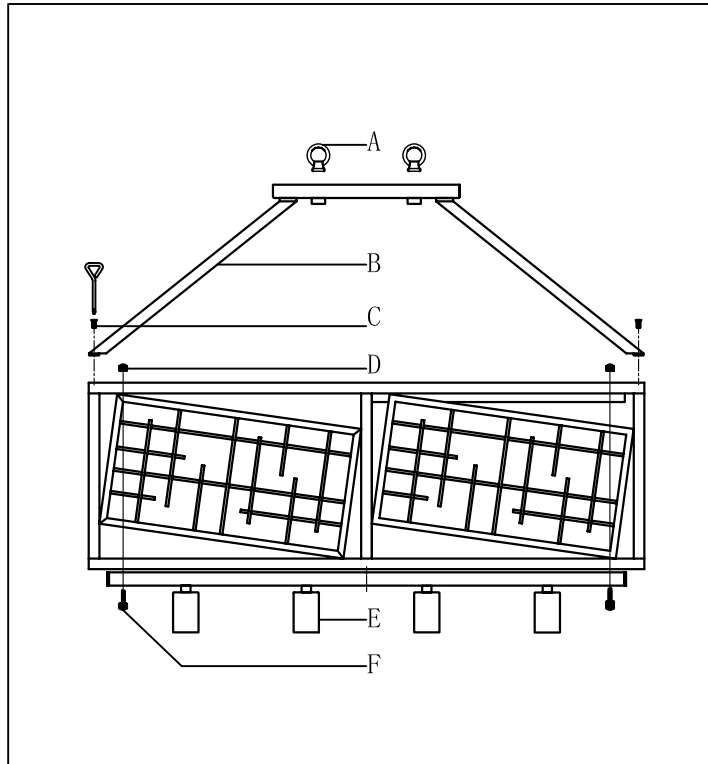
ASSEMBLY AND INSTALLATION INSTRUCTIONS

ITEM NO.: CD10194/4/RI

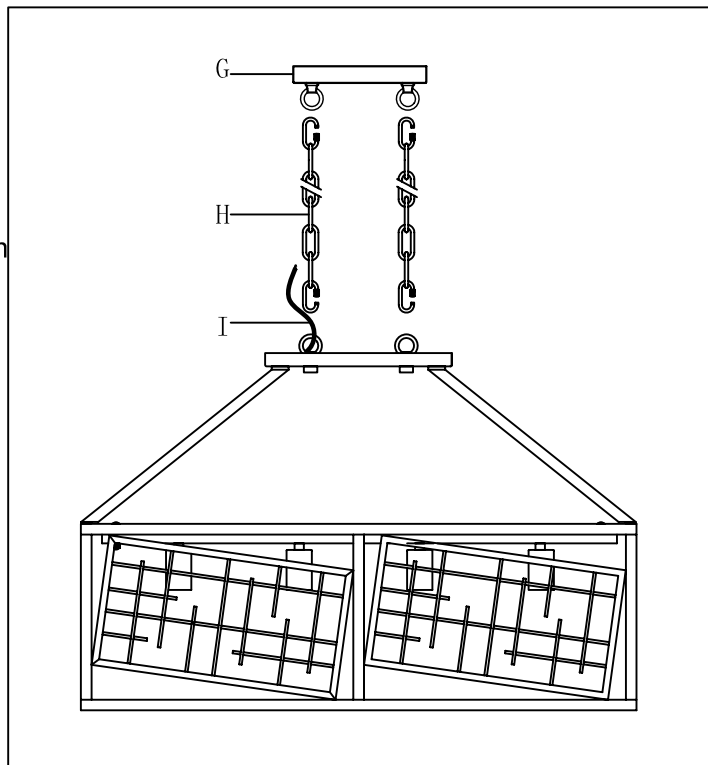


NOTE: Before starting installation of this Fixture or the removal of a previous Fixture, disconnect the power by turning off the circuit breaker or removing the fuse from the fuse box.

STEP 1:Secure the metal bar(E) with 2pcs ball nuts(D),and secure 4pcs tubes(B) with screws(C). Then attach the loop(A) as shown in diagram.

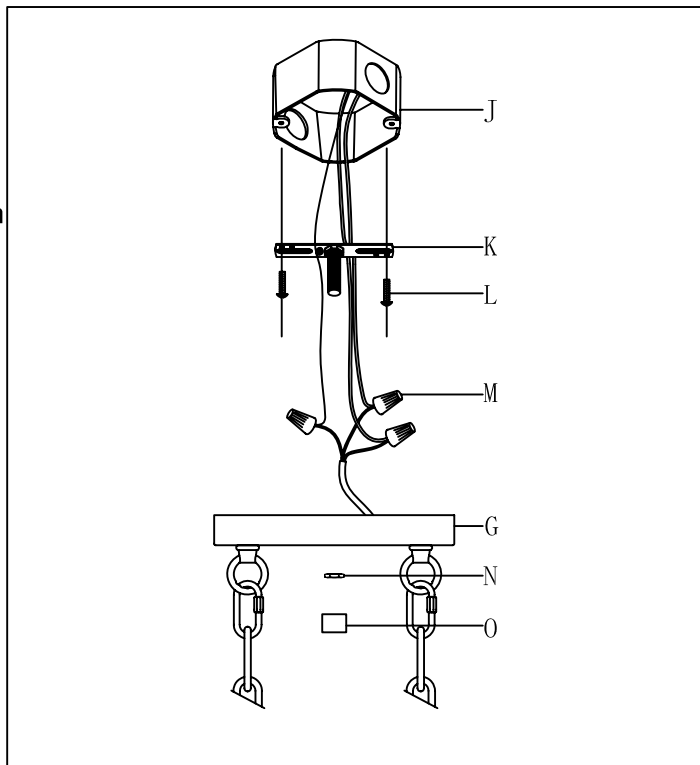
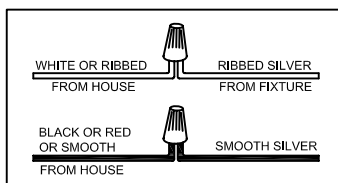


STEP 2:Weave the fixture wire through every 3rd link in the chain and canopy. Connect the chain to the bottom loop on fixture and top loop on canopy.



NOTE: Before starting installation of this Fixture or the removal of a previous Fixture, disconnect the power by turning off the circuit breaker or removing the fuse from the fuse box.

STEP 3: Attach the Mounting Strap (K) to the outlet box by using mounting screws (L). Wrap the Ground Wire from the fixture around the Green Ground Screw on the Mounting Strap (K) and then connect the Ribbed Black Wire from the Fixture to the White Wire (Neutral wire) from the Outlet Box. Connect the Smooth Black Wire from the Fixture to the Black Wire (Live wire) from the Outlet Box. Cover the connections using the Wire Connectors (M). Attach the canopy to the mounting strap and secure it with the hex nut (N) and cylinder nut (O). **NOTE:** Black Wire inside Outlet Box may be red or smooth. White Wire inside Outlet Box may be ribbed.



STEP 4: Screw in the Bulbs (NOT Included).

Cleaning & Care:

To clean, wipe the Fixture with a soft, dry cloth. Avoid the use of harsh or abrasive chemicals as they may damage the finish.

