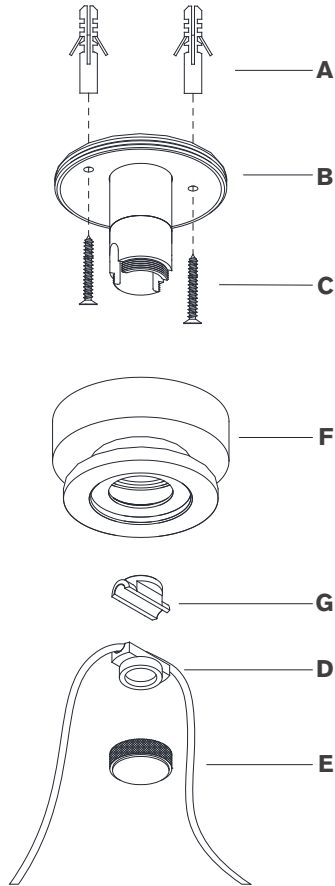
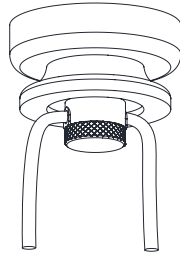


ASSEMBLY INSTRUCTIONS



Assembled View



Junio Cord Mount

Item # TOB 5645-PRT

NOTICE:

This light fixture should be installed in accordance with all applicable, local installation codes, and by a person familiar with the construction and operation of it, as well as the hazards involved. Inspect item and contents carefully. If any damage or defect is found, do not install. Retain all packaging material until installation is complete and approved.

TOOLS REQUIRED (NOT INCLUDED):

Phillips Screwdriver	Slotted Screwdriver	Hammer
Drill	Pencil	

1. Carefully remove all parts from the box. Place on a clean, soft surface.
2. Remove canopy (**F**) from mounting plate (**B**) by unscrewing, then remove threaded cap (**E**) and wire mounts (**G & D**) from mounting plate.
3. Using the mounting plate (**B**) as a guide, line up with ceiling and mark anchor positions.
4. Using a drill bit slightly smaller than the anchor, drill holes in the marked positions. Install anchors (**A**) into the holes using hammer.
5. Install mounting plate (**B**) to ceiling and secure with wood screws (**C**) to anchors (**A**).
6. Thread canopy (**F**) to mounting plate (**B**).
7. Place fixture wire into slot of bottom wire mount (**D**).
8. Adjust fixture wire to desired height, then install wire mounts (**G & D**) to mounting plate (**B**) and secure with threaded cap (**E**).

Care Instructions: Clean only with a soft dry cloth or feather duster. Do Not use abrasive or chemical agents.