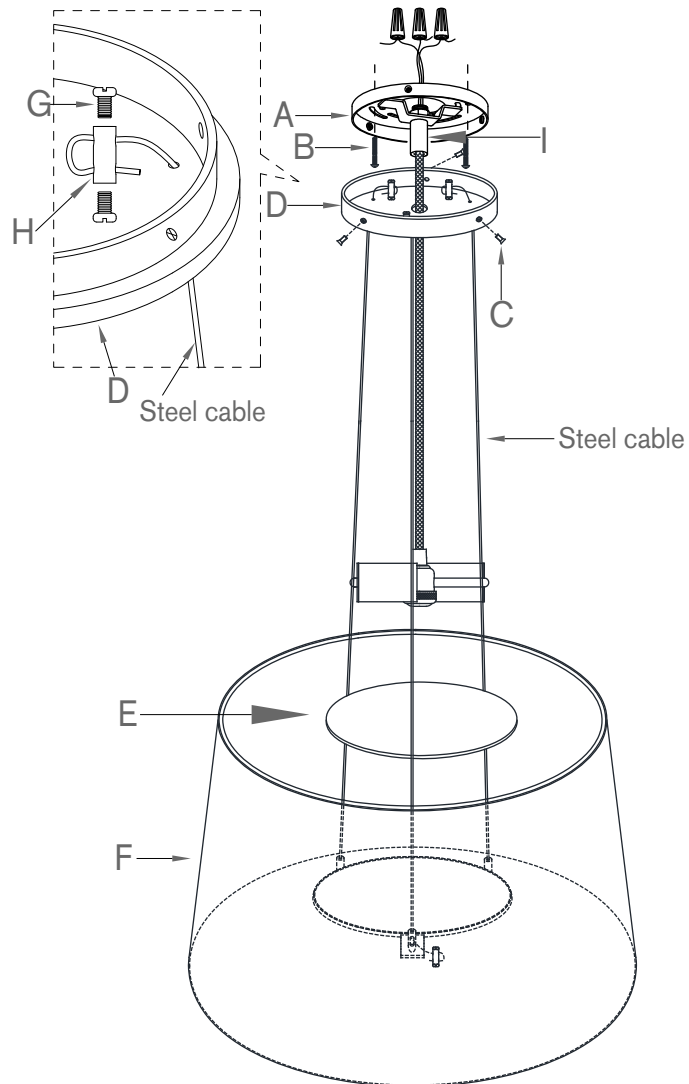


## ASSEMBLY INSTRUCTIONS



### Hicks Small Pendant

Item # TOB 5089

**WE RECOMMEND INSTALLATION OF THIS LIGHTING FIXTURE BE DONE BY A LICENSED ELECTRICIAN.**

**WARNING \*\*\* SWITCH OFF THE MAIN ELECTRICAL SUPPLY FROM THE MAIN FUSE BOX/CIRCUIT BREAKER BEFORE INSTALLATION.**

**INSPECT ITEM CAREFULLY BEFORE ATTEMPTING TO INSTALL. IF THERE IS ANY DAMAGE OR OBVIOUS DEFECT, DO NOT INSTALL.**

**ITEM MAY NOT BE RETURNED ONCE IT HAS BEEN INSTALLED.**

1. Carefully remove all parts from the carton.
2. Remove mounting plate (A) from canopy (D) by removing canopy screws (C) in counter-clockwise direction.
3. To determine the hanging length for the pendant, and adjust the length per below:
  - a. Loosen screws (G) on both ends of cable lock nut (H), feed the 3 steel cables through the holes on canopy (D) and lock nut (H).
  - b. Adjust the 3 steel cables to desired length, and cut the extra length of the steel cables.
  - c. Secure the 3 steel cables with screws (G).
4. Affix mounting plate (A) to ceiling outlet box with mounting screws (B) provided.
5. Loosen collar (I), adjust the wires to the desired hanging height and secure by tightening the collar (I).
6. Gently pull the wires from the ceiling outlet and allow the wires to hang. Feed the wire through the center hole of mounting plate (A).
7. Attach ground (green) wire to ground wire from wall outlet box (usually green or copper in color), fasten together with a plastic wire connector. Tightly wrap the wire connector with electrical tape, so the end of the connector is sealed. IT IS IMPERATIVE THAT THE OUTLET BOX IN YOUR HOME BE PROPERLY GROUNDED.
8. Connect neutral (white) fixture wire coming from fixture base to neutral (usually white) outlet wire. Fasten both wires together with a plastic wire connector and tightly wrap the wire connector with electrical tape.
9. Repeat the procedure with the hot (black) wires. Always make sure that no wire strands are left outside the connectors. DO NOT REVERSE THE HOT AND NEUTRAL CONNECTIONS OTHERWISE SAFETY WILL BE COMPROMISED.
10. Tuck wire connections neatly into ceiling outlet box.
11. Place the acrylic diffuser (E) onto the bottom opening of shade (F).
12. Attach canopy (D) to the affixed mounting plate (A) and secure canopy screws (C).
13. Insert light bulb (not included) into socket.
14. Installation is complete. Restore power and test fixture.

\*\*\* Clean with a dry, soft cloth only. Use no harsh abrasives or chemical agents.