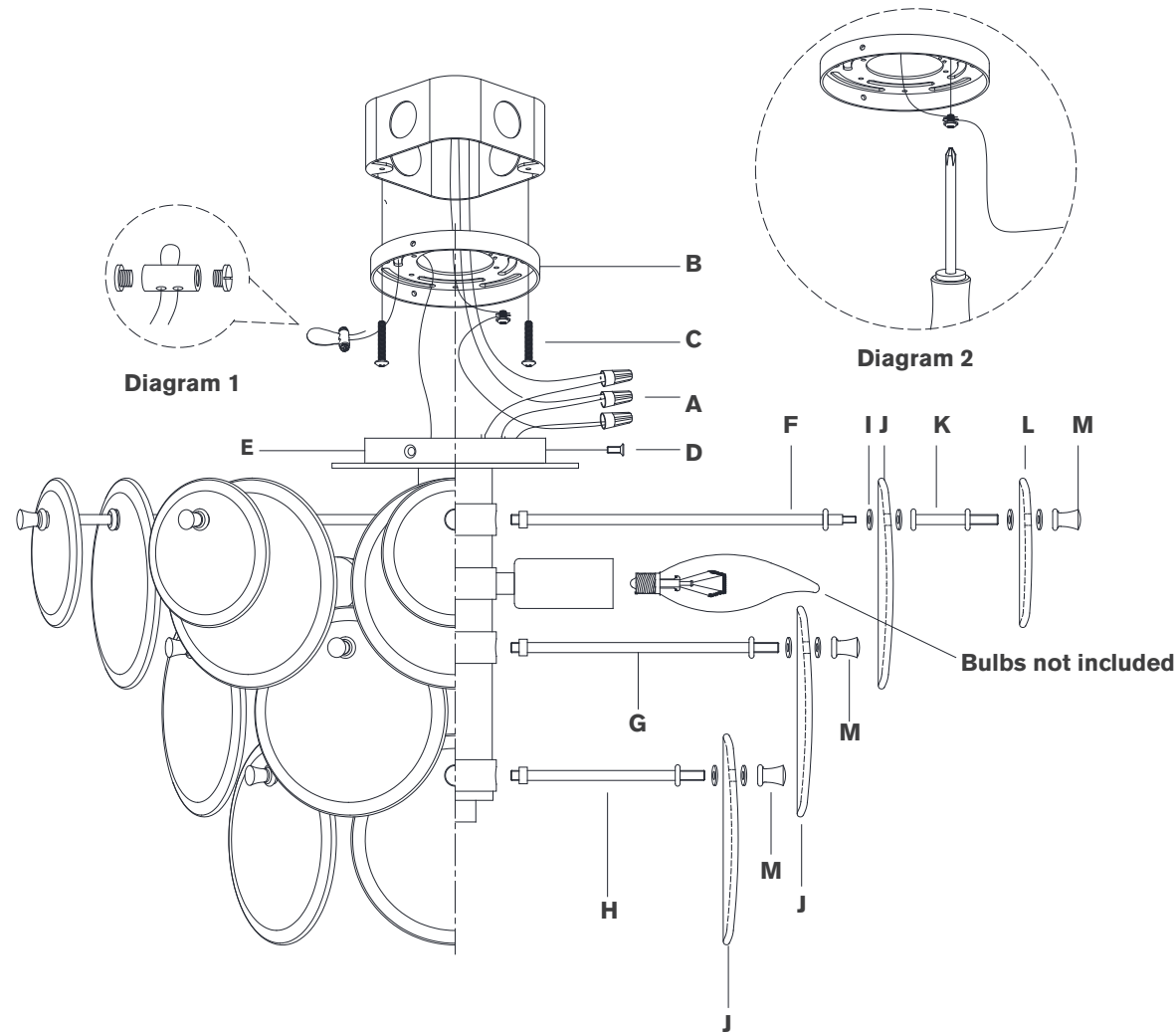


## ASSEMBLY INSTRUCTIONS



## Loire Large Tiered Flush Mount

Item # ARN4451

### NOTICE:

This light fixture should be installed in accordance with all applicable, local installation codes, and by a person familiar with the construction and operation of it, as well as the hazards involved. Inspect item and contents carefully. If any damage or defect is found, do not install. Retain all packaging material until installation is complete and approved.

### TOOLS REQUIRED (NOT INCLUDED):

Phillips Screwdriver      Slotted Screwdriver

1. Carefully remove all parts from the box. Place on a clean, soft surface.
2. Remove mounting plate **(B)** from canopy **(E)** by unscrewing screws **(D)**.
3. Install mounting plate **(B)** to the junction box and secure with mounting screws **(C)**.
4. Run support cable through hole on back of mounting plate **(B)**. Loosen cable lock and install to end of support cable. Insert other end of cable through the cable lock and tighten ends with a screwdriver to secure. (see diagram 1)
5. Wrap fixture ground wire (bare copper) around the green grounding screw (see diagram 2). Tighten. Continue fixture ground wire and connect to supply ground wire (usually green or bare copper) using wire nut **(A)**.  
**NOTE:** It is imperative that the fixture is grounded.
6. Connect fixture neutral wire (white) to the supply neutral wire (usually white) using wire nut **(A)**.
7. Connect fixture hot wire (black) to the supply hot wire (usually black) using the wire nut **(A)**.  
**CAUTION:** Do not reverse the hot and neutral connections.
8. Make sure all wire connections are tight, then carefully tuck into the junction box.
9. Install canopy **(E)** to mounting plate **(B)** and secure with screws **(D)**.

## ASSEMBLY INSTRUCTIONS

## Loire Large Tiered Flush Mount

Item # ARN4451

### NOTICE:

This light fixture should be installed in accordance with all applicable, local installation codes, and by a person familiar with the construction and operation of it, as well as the hazards involved. Inspect item and contents carefully. If any damage or defect is found, do not install. Retain all packaging material until installation is complete and approved.

10. Thread short rods (**H**) to fixture body, then attach rubber washers (**I**) to either side of the large glass panels (**J**) and secure to rods (**H**) with finial (**M**).
11. Thread medium rods (**G**) to fixture body, then attach rubber washers (**I**) to either side of the large glass panels (**J**) and secure to rods (**G**) with finial (**M**).
12. Thread long rods (**F**) to fixture body, then attach rubber washers (**I**) to either side of the large glass panels (**J**) and secure to rods (**F**) with rods (**K**).
13. Attach rubber washers (**I**) to either side of the small glass panels (**L**) and secure to rods (**K**) with finial (**M**).

**Care Instructions:** Clean only with a soft dry cloth or feather duster. Do not use abrasive or chemical agents.

