

# Craftmade

CEILING FANS

Est. 1985

READ THESE INSTRUCTIONS AND  
AND SAVE THEM FOR FUTURE USE

Federal regulations require ceiling fans with light kits manufactured or imported after January 1, 2009, to limit total wattage consumed by the light kit to 190W. Therefore, this fan is equipped with a wattage limiting device.



## Installation Guide

For Models:

MN44FB4

MN44SS4

### Table of Contents:

Safety Tips. pg. 1

Unpacking Your Fan. pg. 2

Parts Inventory. pg. 2

Installation Preparation. pg. 3

Hanging Bracket Installation. pg. 3

Fan Assembly. pgs. 4 - 5

Wiring. pgs. 5 - 6

Canopy Assembly. pg. 6

Blade Assembly. pg. 7

Light Kit Assembly. pgs. 7 - 8

Automated Learning Process./

Activating Code. pg. 8

Wall Control Operation. pg. 9

Remote Control Operation. pg. 9

Testing Your Fan. pg. 9

Troubleshooting. pg. 10

Warranty. pg. 10

Parts Replacement. pg. 10



LISTED

E206035

net weight of fan: 13.45 lb. (6.1 kg)

PRINTED IN CHINA

## SAFETY TIPS.

**WARNING:** To reduce the risk of electrical shock, turn off the electricity to the fan at the main fuse box or circuit panel before you begin the fan installation or before servicing the fan or installing accessories.

1. **READ ALL INSTRUCTIONS AND SAFETY INFORMATION CAREFULLY BEFORE INSTALLING YOUR FAN AND SAVE THESE INSTRUCTIONS.**

**CAUTION:** To avoid personal injury, the use of gloves may be necessary while handling fan parts with sharp edges.

2. Make sure all electrical connections comply with Local Codes or Ordinances, the National Electrical Code, and ANSI/NFPA 70-1999. If you are unfamiliar with electrical wiring or if the house/building wires are different colors than those referred to in the instructions, please use a qualified electrician.
3. Make sure you have a location selected for your fan that allows clear space for the blades to rotate, and at least seven (7) feet (2.13 meters) of clearance between the floor and the fan blade tips. The fan should be mounted so that the tips of the blades are at least thirty (30) inches (76 centimeters) from walls or other upright structures.
4. The outlet box and ceiling support joist used must be securely mounted, and capable of supporting at least 35 pounds (16 kilograms). The outlet box must be supported directly by the building structure. Use only CUL (Canada) or UL (USA) listed outlet boxes marked "FOR FAN SUPPORT."

**WARNING:** To reduce the risk of fire, electrical shock, or personal injury, mount to the outlet box marked "Acceptable for Fan Support of 15.9 kg (35 lbs.) or less," and use the mounting screws provided with the outlet box. Most outlet boxes commonly used for the support of lighting fixtures are not acceptable for fan support and may need to be replaced. Consult a qualified electrician if in doubt.

**WARNING:** To reduce the risk of fire, electrical shock, or personal injury, wire connectors provided with this fan are designed to accept only one 12 gauge house wire and two lead wires from the fan. If your house wire is larger than 12 gauge or there is more than one house wire to connect to the corresponding fan lead wires, consult an electrician for the proper size wire connectors to use.

5. Electrical diagrams are for reference only. Light kits that are not packed with the fan must be CUL (Canada) or UL (USA) listed and marked suitable for use with the model fan you are installing. Switches must be CUL (Canada) or UL (USA) general use switches. Refer to the instructions packaged with the light kits and switches for proper assembly.
6. After installation is complete, check that all connections are absolutely secure.
7. After making electrical connections, spliced conductors should be turned upward and pushed carefully up into the outlet box. The wires should be spread apart with the grounded conductor and the equipment-grounding conductor on opposite sides of the outlet box.

**WARNING:** To reduce the risk of electrical shock or fire, do not use this fan with any solid state speed control device or control fan speed with a full range dimmer switch. [Using a full range dimmer switch to control fan speed will cause a loud humming noise from fan.] (**Note:** This fan *is* suitable for use with remote control.)

8. Do not operate the reverse switch until the fan has come to a complete stop.
9. Do not insert anything between the fan blades while they are rotating.

**WARNING:** To reduce the risk of personal injury, do not bend the blade arms during assembly or after installation. Do not insert objects into the path of the blades.

**WARNING:** To avoid personal injury or damage to the fan and other items, be cautious when working around or cleaning the fan.

10. Do not use water or detergents when cleaning the fan or fan blades. A dry dust cloth or lightly dampened cloth will be suitable for most cleaning.

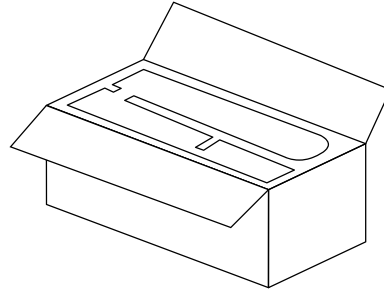
**WARNING:** To reduce the risk of personal injury, use **only** parts provided with this fan. **The use of parts OTHER than those provided with this fan will void the warranty.**

**NOTE:** The important safety precautions and instructions appearing in the manual are not meant to cover all possible conditions and situations that may occur. It must be understood that common sense and caution are necessary factors in the installation and operation of this fan.

# 1. Unpacking Your Fan.

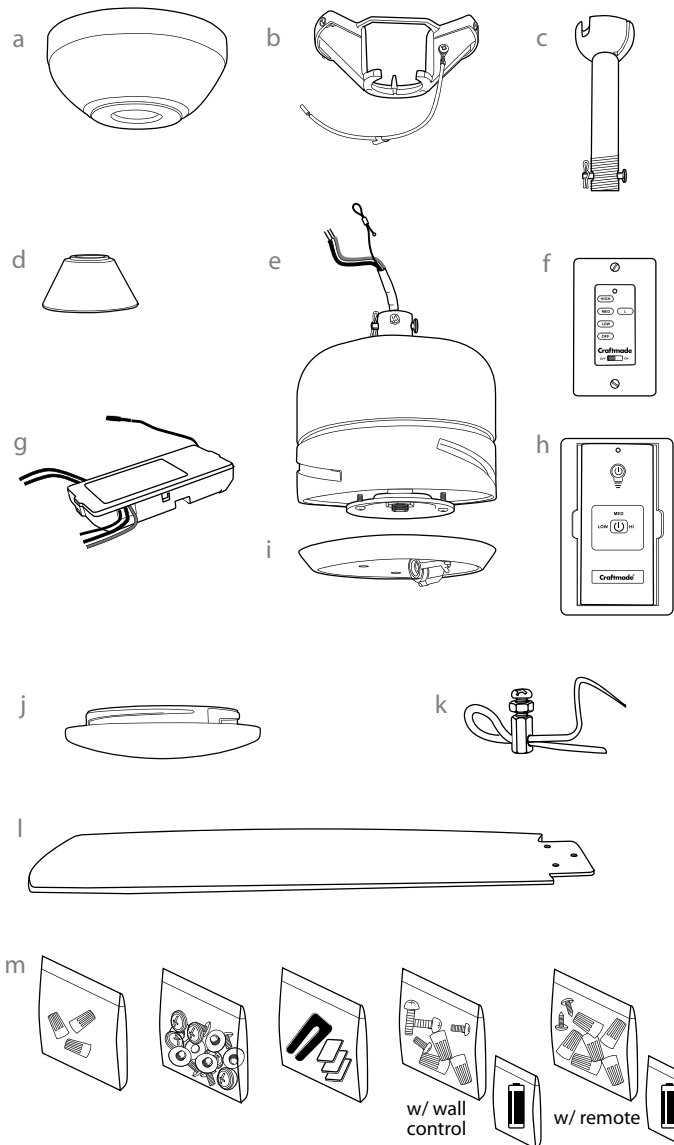
Carefully open the packaging. Remove items from Styrofoam inserts. Remove motor housing and place on carpet or Styrofoam to avoid damage to finish. Do not discard fan carton or Styrofoam inserts should this fan need to be returned for repairs.

Check against parts inventory that all parts have been included.



## 2. Parts Inventory.

- a.** canopy. 1 piece
- b.** hanging bracket (pre-attached to canopy). 1 piece
- c.** 6in. downrod and hanging ball (with pin and clip). 1 piece
- d.** yoke cover. 1 piece
- e.** motor housing. 1 piece
- f.** wall control and plate. 2 separate pieces
- g.** remote control receiver. 1 piece
- h.** remote control transmitter. 1 piece
- i.** light kit fitter. (pre-attached to motor housing). 1 piece
- j.** glass shade. 1 piece
- k.** safety cable with vice (already attached to motor). 1 piece
- l.** blade. 4 pieces
- m.** hardware packs



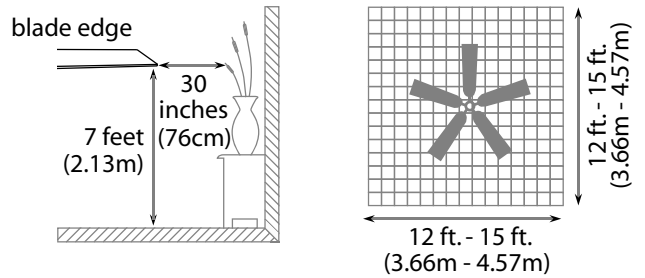
**⚠ IMPORTANT REMINDER:** You must use the parts provided with this fan for proper installation and safety. **⚠**

**bulb required:**  
1 x 50 watt max. halogen bulb, type JD E11  
(included)



### 3. Installation Preparation.

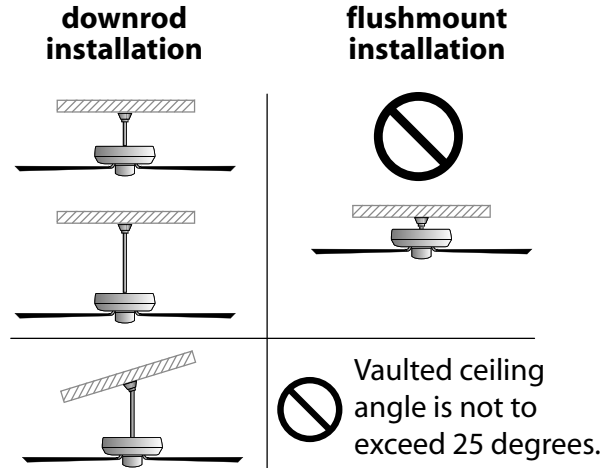
To prevent personal injury and damage, ensure that the hanging location allows the blades a clearance of 7 feet (2.13m) from the floor and 30in. (76cm) from any wall or obstruction. This fan is suitable for room sizes up to 225 square feet (20.9 square meters).



This fan can be mounted with a **downrod** on a regular (no-slope) or vaulted ceiling. The hanging length can be extended by purchasing a longer downrod (0.5in./1.27cm diameter). Other installation, such as **flushmount**, is *NOT* available for this fan.

**Installation requires these tools:**

Phillips screwdriver, flat-head screwdriver, adjustable pliers or wrench, stepladder, wire cutters, and rated electrical tape.



### 4. Hanging Bracket Installation.

Turn off circuit breakers to current fixture from breaker panel and be sure operating light switch is turned to the OFF position.

**WARNING:** Failure to disconnect power supply prior to installation may result in serious injury.

Remove existing fixture.

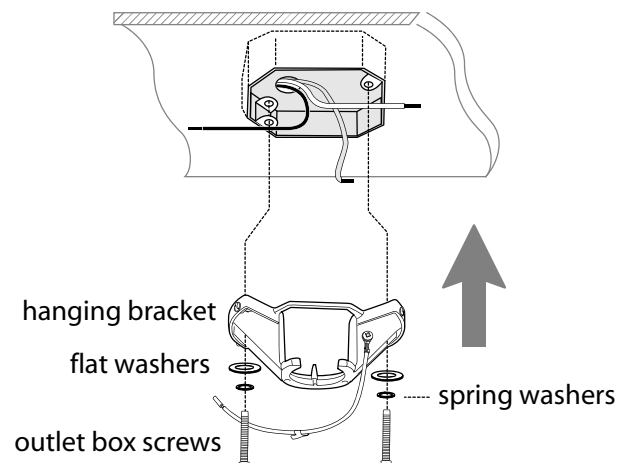
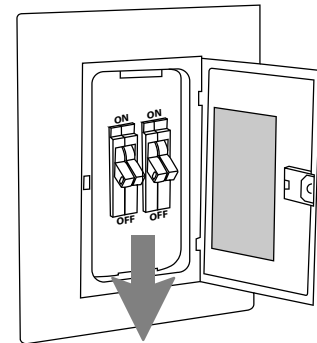
**WARNING:** When using an existing outlet box, be sure the outlet box is securely attached to the building structure and can support the full weight of the fan. Ensure outlet box is clearly marked "Suitable for Fan Support." If not, it must be replaced with an approved outlet box. Failure to do so can result in serious injury.

**CAUTION:** Be sure outlet box is grounded properly and that a ground wire (**GREEN** or bare) is present.

Locate screws in slotted holes on opposite sides of canopy and partially loosen these screws. Remove the other 2 screws--save for later use. Twist canopy to remove hanging bracket from canopy.

Install hanging bracket to outlet box using original screws, spring washers and flat washers provided with new or original outlet box.\* If installing on a vaulted ceiling, face opening of hanging bracket towards high point of ceiling. Arrange electrical wiring around the back of the hanging bracket and away from the bracket opening.

**\*Note:** It is very important that you use the proper hardware when installing the hanging bracket as this will support the fan.



## 5. Fan Assembly.

If you wish to extend the hanging length of your fan, you must remove the hanging ball from the 6in. downrod provided to use with an extended downrod (sold separately). [If you wish to use the 6in. downrod, please proceed to instructions following the dotted line below.]

To remove hanging ball, loosen set screw on hanging ball and remove pin and clip. Lower hanging ball and remove stop pin. Slide hanging ball off the original downrod, A, and slide it down the longer downrod, B (the top of the downrod should be noted as having a set screw hole; use this hole when setting the set screw). Insert stop pin into top of extended downrod and raise hanging ball. Be sure stop pin aligns with slots on the inside of the hanging ball. Tighten set screw securely. [Refer to **diagram 1**.]

Remove vice from safety cable by loosening the screw and nut on the vice. [Refer to **diagram 2**.]

**Tip:** To prepare for threading electrical wires through downrod, apply a small piece of electrical tape to the ends of the electrical wires--this will keep the wires together when threading them through the downrod.

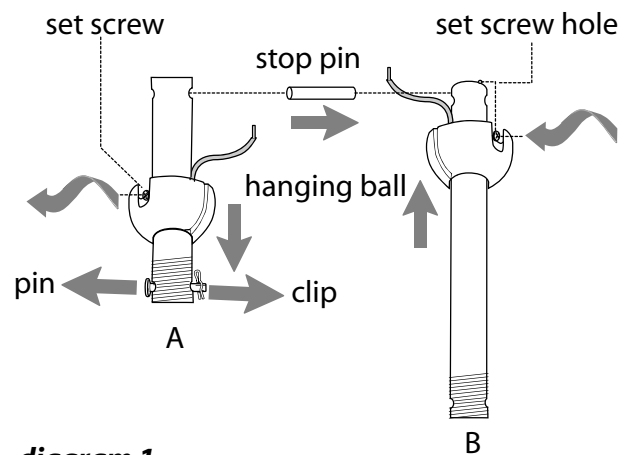
Loosen yoke set screws and nut at top of motor housing. Remove pin and clip from downrod (if you have not already done so). Slide downrod through canopy and yoke cover.

Thread safety cable and electrical wires through downrod and pull extra wire slack from the upper end of the downrod. [Refer to **diagram 3**.]

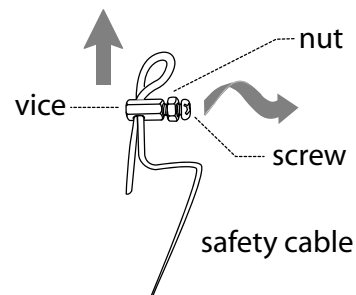
Thread downrod into the motor housing yoke until holes for pin and clip in downrod align with holes in yoke--*make sure wires do not get twisted*. Re-insert pin and clip that were previously removed. Tighten yoke set screws and nut securely. [Refer to **diagram 3**.] Lower yoke cover to motor housing.

**["Fan Assembly" continued on next page.]**

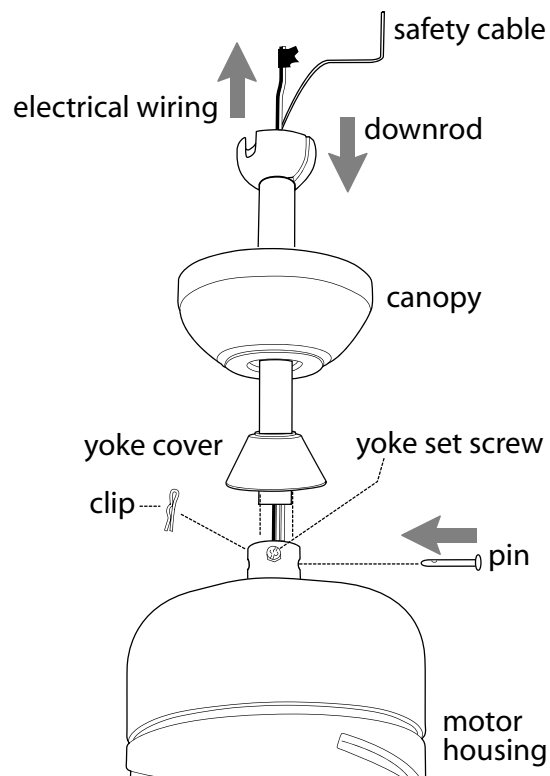
**NOTE:** The important safety precautions and instructions appearing in the manual are not meant to cover all possible conditions and situations that may occur. It must be understood that common sense and caution are necessary factors in the installation and operation of this fan.



**diagram 1**



**diagram 2**



**diagram 3**

## 5. Fan Assembly. (cont.)

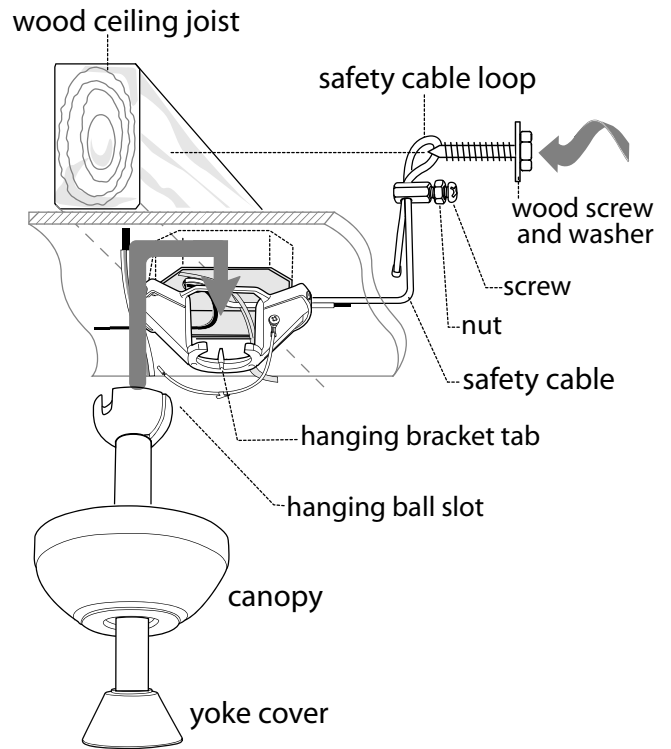
With the hanging bracket secured to the outlet box and able to support the fan, you are now ready to hang your fan. Grab the fan firmly with two hands. Slide downrod through opening in hanging bracket and let hanging ball rest on the hanging bracket. Turn the hanging ball slot until it lines up with the hanging bracket tab.

**WARNING:** Failure to align slot in hanging ball with tab in hanging bracket may result in serious injury or death.

**Tip:** Seek the help of another person to hold the stepladder in place and to help lift the fan up to you once you are set on the ladder.

Replace vice on safety cable and adjust safety cable length by loosening screw and nut on the safety cable vice and pulling on the cable. Adjust slack in cable to a hands length and secure vice by tightening screw and nut securely. [**Refer to drawing at right.**] The loop at the end of the safety cable should just fit over the threads on the wood screw. *Test safety cable by pulling on loose end with pliers. If the safety cable slips, the screw and nut on the vice must be set tighter.*

Find a secure attachment point (wood ceiling joist highly recommended) and secure safety cable. It will be necessary to use a heavy duty wood screw, washer and lock washer (not supplied) with the safety cable loop. Extra cable slack can be left in ceiling area.



## 6. Wiring.

**CAUTION:** Be sure outlet box is properly grounded and that a ground wire (**GREEN** or Bare) is present.

Make sure all electrical connections comply with Local Codes or Ordinances and the National Electrical Code. If you are unfamiliar with electrical wiring or if the house/building wires are different colors than those referred to in the diagram to the right, please use a qualified electrician.

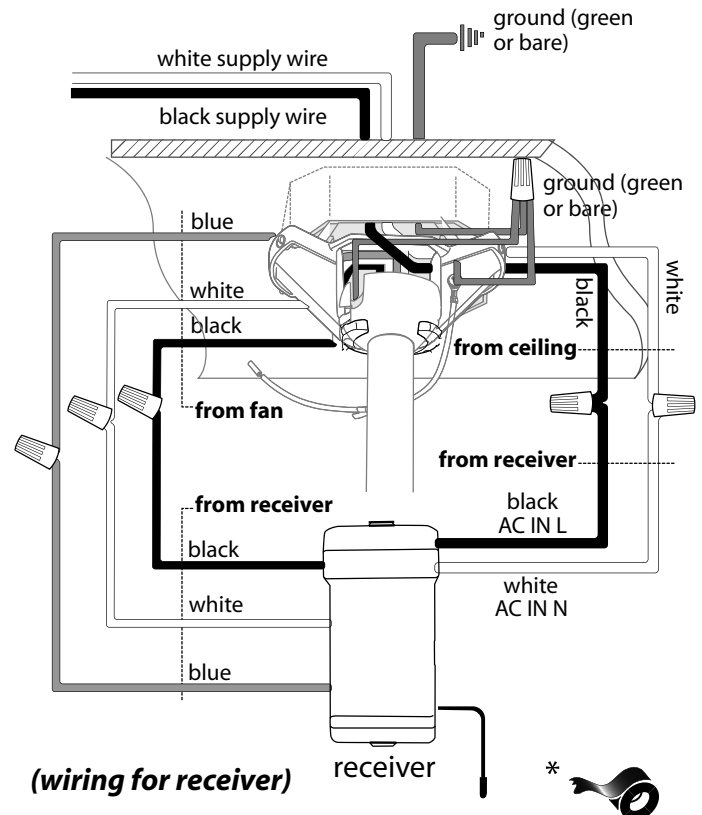
When downrod is secured in place on the hanging bracket, wire the **RECEIVER** with wire connectors provided as shown in *diagram at right*.

**Tip:** While you are wiring, keep in mind that wires must not obstruct receiver from sliding into hanging bracket.

\* Wrap each wire connector separately with electrical tape as an extra safety measure.

Gently insert receiver (flat side up) into hanging bracket and carefully push wires and taped wire connectors into outlet box. Let antenna rest *outside* of hanging bracket.

**["Wiring" continued on next page.]**



## 6. Wiring. (cont.)

**IN ORDER TO WIRE WALL CONTROL**, remove existing wall switch. Wire the **WALL CONTROL** with wire connectors provided as shown in *diagram at right*.

\* Wrap each wire connector separately with electrical tape as an extra safety measure. Gently push wires and taped wire connectors into outlet box.

Use a ballpoint pen or a small screwdriver to set the code switches 1 through 4 on the wall control. Factory setting is pre-set and not recommended for use. **Write down number sequence for use in Section 10.**

**Note:** Since this fan comes with a halogen bulb, the dimmer switch (labeled **D** and **X**) has been pre-set to the "ON" position (**D**). If you do not wish to have dimming capability, please move the switch to the "OFF" position (**X**).

Install one 12-volt battery (included) in wall control. Attach wall control to outlet box and secure with screws from original wall switch. Attach front plate to wall control using 2 screws provided in the wall control.

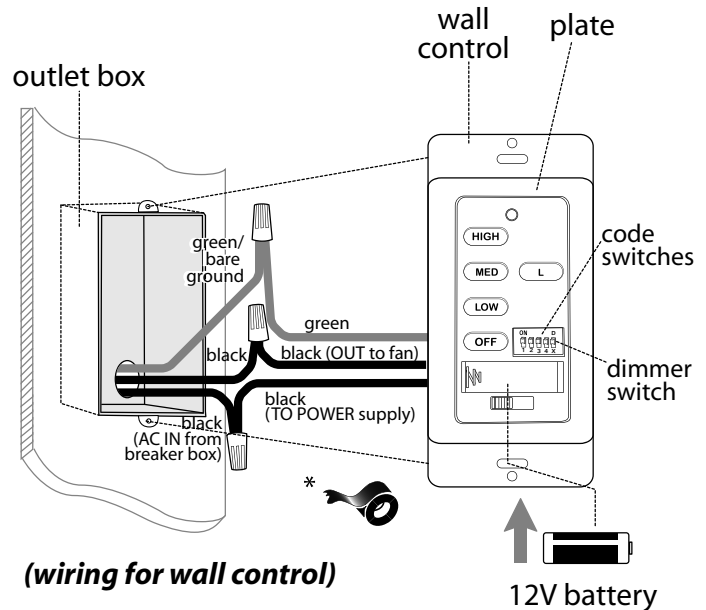
**Important:** Wall control will not function unless battery is installed.

Modifications not approved by the party responsible for compliance could void the user's authority to operate the equipment.

\*NOTE: This equipment has been tested and found to comply with the limits for a Class B digital device, pursuant to Part 15 of the FCC Rules. These limits are designed to provide reasonable protection against harmful interference in a residential installation. This equipment generates, uses and can radiate radio frequency energy and, if not installed and used in accordance with the instructions, may cause harmful interference to radio communications. However, there is no guarantee that interference will not occur in a particular installation. If this equipment does cause harmful interference to radio or television reception, which can be determined by turning the equipment off and on, the user is encouraged to try to correct the interference by one or more of the following measures:

- \* Reorient or relocate the receiving antenna.
- \* Increase the separation between the equipment and receiver.
- \* Connect the equipment into an outlet on a circuit different from that to which the receiver is connected.

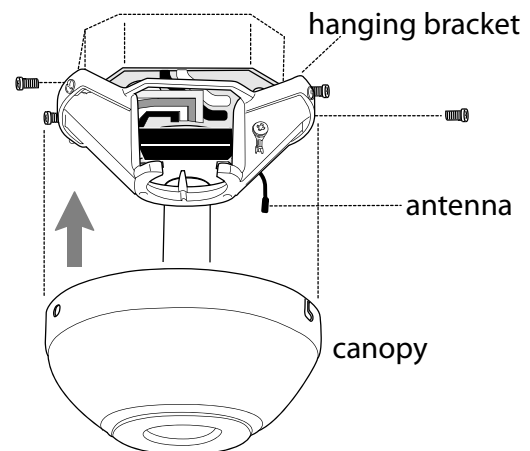
Consult the dealer or an experienced radio/TV technician for help.



## 7. Canopy Assembly.

Raise canopy to hanging bracket and align slotted holes in canopy with loosened screws in hanging bracket. Twist canopy to lock. Re-insert screws that were previously removed (page 3, Section 4) and secure all screws with Phillips screwdriver.

\*Remember that antenna for remote control receiver must rest *outside* of hanging bracket.



## 8. Blade Assembly.

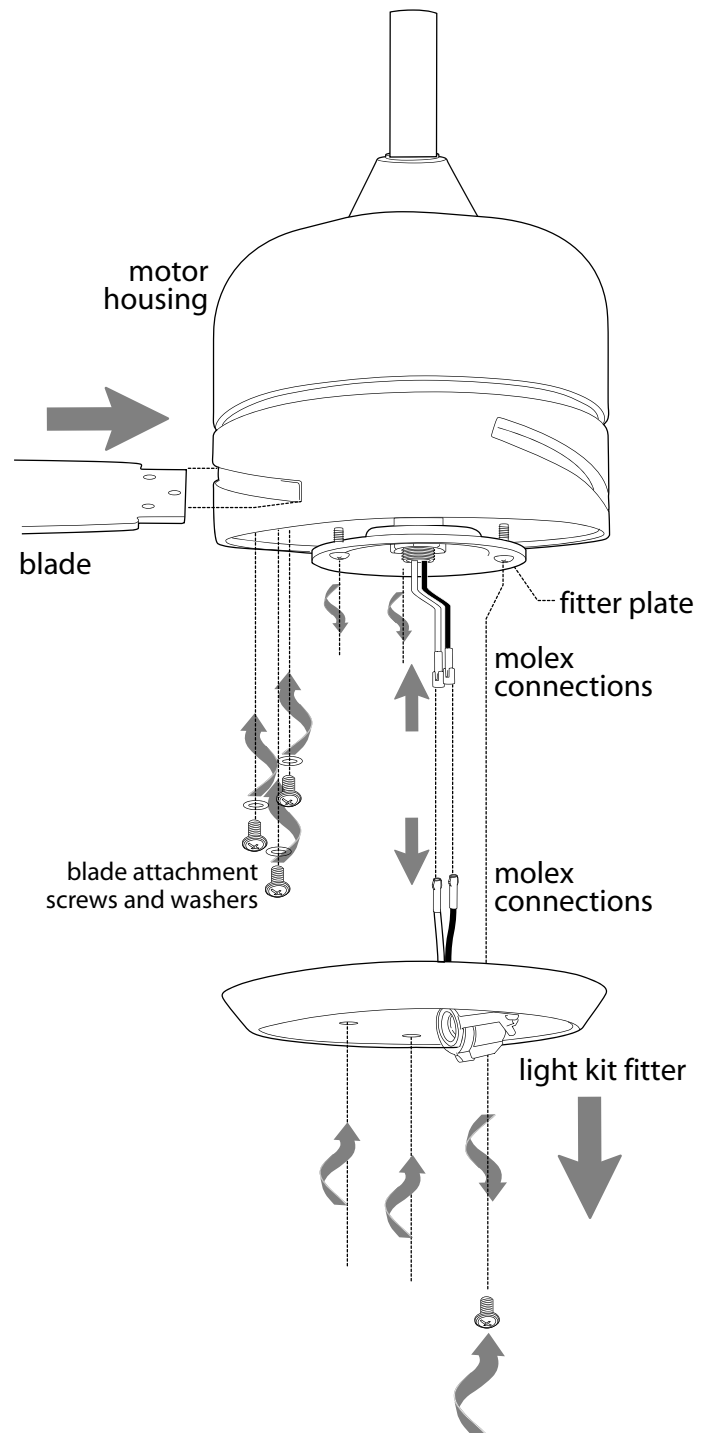
Loosen the screws in the 2 slotted holes in the light kit fitter (located on the underside of the motor housing) and remove the other screw. Twist light kit fitter and pull down carefully on light kit fitter in order to remove.

[**Note:** Molex plugs **MUST** be disconnected **BEFORE** removing the light kit fitter from the motor housing. Molex plugs may be disconnected by simply pulling them apart.]

**Time Saver:** Washers for blade screws can be set on each blade screw prior to installing blades.

Locate 12 blade attachment screws and washers in hardware pack. Slide a blade through one of the narrow, rectangular openings on motor housing, aligning holes in blade with holes in blade arm (**located on INSIDE of the underside of the motor housing**)--refer to drawing at right. Insert 3 blade attachment screws (along with washers) and then tighten screws securely with a Phillips screwdriver. Repeat procedure for each remaining blade.

**Note:** Tighten blade arm screws twice a year.



## 9. Light Kit Assembly.

Re-attach molex plugs by connecting **BLACK** wire from motor housing to **BLACK** wire from light kit fitter and **WHITE** wire from motor housing to **WHITE** wire from light kit fitter. Be sure that molex connections snap together completely.

Carefully arrange wiring within the fitter plate. Align slotted holes in the light kit fitter with loosened screws in fitter plate--*be careful not to pinch wires or molex connections between the light kit fitter and the fitter plate*. Twist light kit fitter to lock. Re-insert screw that was previously removed. Tighten all 3 screws to secure light kit fitter.



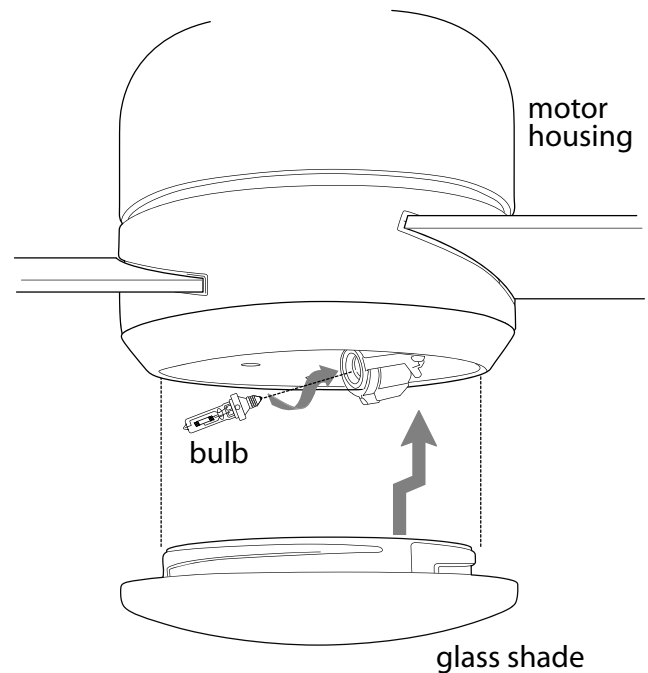
## 9. Light Kit Assembly. (cont.)

Install the 50 watt halogen bulb, type JD E11 (included).

**Tip:** Do not touch glass portion of bulb with fingers or hands. Oil from skin can cause bulb to overheat and go out prematurely. Use cardboard box or foam wrapping bulb was packed with to layer around glass portion of bulb.

Locate grooves on glass shade and align with nodules on inside of light kit fitter. Push up gently on glass shade. Turn glass shade in a **clockwise** direction until it slides into place.

**IMPORTANT:** When you need to replace the bulb, please allow bulb and glass shade to cool down before touching. Use one 50 watt max. halogen bulb, type JD E11, to replace the bulb, keeping in mind not to touch the bulb itself as described above (see "Tip").



## 10. Automated Learning Process./ Activating Code.

**CAUTION:** The remote control transmitter can be programmed to multiple receivers or fans. If this is not desired, turn wall switch off to any other programmable receiver or fan.

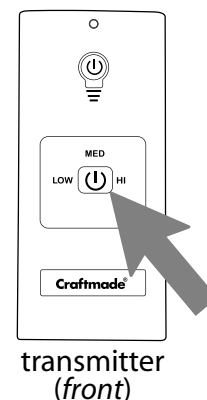
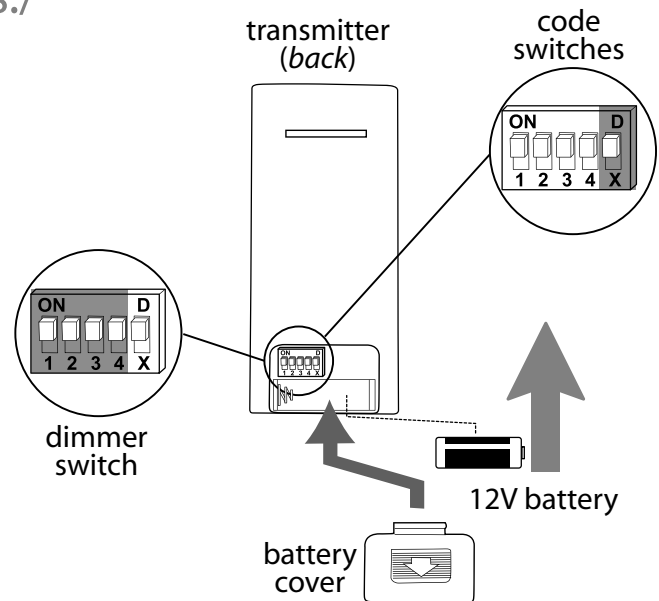
Remove battery cover on back side of remote control transmitter.

Use a ballpoint pen or a small screwdriver to set the code switches 1 through 4 for the transmitter. Use the same number sequence used when wiring the wall control in Section 6 (page 6).

**Note:** Since this fan comes with a halogen bulb, the dimmer switch (labeled **D** and **X**) has been pre-set to the "ON" position (**D**). If you do not wish to have dimming capability, please move the switch to the "OFF" position (**X**).

Install one 12-volt battery (included) in transmitter. Re-attach battery cover on transmitter.

Restore electrical power and then set slider switch on wall control to the ON position. Within 30 seconds of turning on the wall control, press the fan "OFF" button (⏻), located on the front of the transmitter, for 5 seconds or until light blinks twice. Test the light and fan functions to confirm the learning process is complete--see Section 13.



## 11. Wall Control Operation.

**ON/OFF slider switch** - turns *wall control* ON or OFF

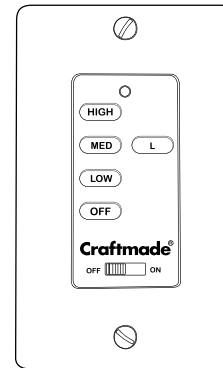
**HIGH** button - turns *fan* to HIGH speed

**MED** button - turns *fan* to MEDIUM speed

**LOW** button - turns *fan* to LOW speed

**OFF** button - turns *fan* OFF

**L** button - turns *light* ON/OFF when pressed once;  
dims *light* when pressed and held down




## 12. Remote Control Operation.

**HI** button - turns *fan* to HIGH speed

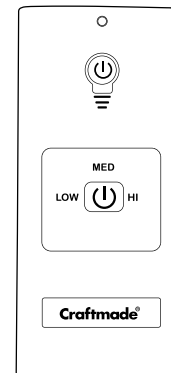
**MED** button - turns *fan* to MEDIUM speed

**LOW** button - turns *fan* to LOW speed

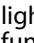
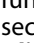
 button - turns *fan* OFF

 button - turns *light* ON/OFF when tapped quickly.

Pressing and holding  button down for more than 0.7 seconds converts it into a dimmer.



## 13. Testing Your Fan.

It is recommended that you test fan before finalizing installation. Restore power from circuit box and light switch (if applicable). Locate ON/OFF slider switch on wall control and set to the ON position. Test light and dimmer function and then test fan speeds. Next, locate remote control. Start with the light OFF and test the light ON/OFF function by pressing the  button. Test the dimmer function by pressing the  button and holding it down for 1 second. Test fan speeds with the different fan speed buttons. (**diagram 1**) If the remote control operates all of the functions of the fan, battery has been installed correctly. If the wall and/or remote control do (does) not operate all of the fan functions, refer to "Troubleshooting" section to solve any issues before contacting Customer Service.

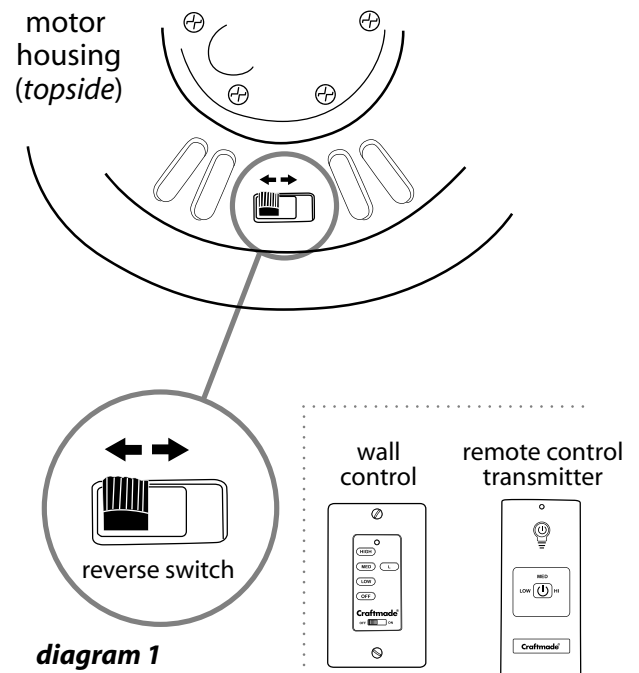
Turn fan completely off *before* moving the reverse switch (located on top of the motor housing). (**diagram 1**) Set reverse switch to recirculate air depending on the season:

- LEFT position in summer (**diagram 2**)
- RIGHT position in winter (**diagram 3**)

A ceiling fan will allow you to raise your thermostat setting in summer and lower your thermostat setting in winter without feeling a difference in your comfort.

**Important:** Reverse switch must be set either *completely* to the LEFT or *completely* to the RIGHT for fan to function. If the reverse switch is set in the *middle* position (**diagram 4**), fan will not operate.

**NOTE:** If the remote control interferes with other appliances, change code switches on the transmitter to another code. If you do change the code, **turn power off first**, remove the battery cover, and, after setting the new code, go back to the instructions in the last paragraph of Section 10 (page 8).



**diagram 1**



**diagram 2**



**diagram 3**



**diagram 4**

## Troubleshooting.

**WARNING:** Failure to disconnect power supply prior to troubleshooting any wiring issues may result in serious injury.

**Problem:** Fan fails to operate.

**Solutions:**

1. Check wall switch to fan.
2. Verify that reverse switch is set completely in either direction.
3. Verify that receiver is wired properly.
4. Check to be sure fan is wired properly.
5. Check to be sure code switches are set properly in remote control transmitter and wall control.
6. Learning process between fan, remote control transmitter and wall control may not have been successful and code was not activated. Turn off power and repeat instructions in last paragraph of Section 10 (page 8).
7. Check that red light on remote control transmitter turns on when a button is pressed indicating that the battery is good.

**Problem:** Light kit not lighting.

**Solutions:**

1. Check wall switch to fan.
2. Check that bulb is installed correctly.
3. Check that wires in canopy are wired properly.
4. Verify that molex connections in light kit fitter are connected properly.
5. Learning process between fan, remote control transmitter and wall control may not have been successful and code was not activated. Turn off power and repeat instructions in last paragraph of Section 10 (page 8).
6. Check to be sure that bulb totals no more than 190W. [Note: Lamping light kit with bulb that totals more than 190W will cause the wattage limiting device to interrupt the flow of electricity to the light kit.]

**Problem:** Fan operates but light fails.

**Solutions:**

1. Check that bulb is installed correctly.
2. Check that wires in canopy are wired properly.
3. Replace defective bulb with same type of bulb.
4. Verify that molex connections in light kit fitter are connected properly.
5. Check to be sure that bulbs total no more than 190W. [Note: Lamping light kit with bulbs that total more than 190W will cause the wattage limiting device to interrupt the flow of electricity to the light kit.]

**Problem:** Fan and light fail to operate with remote control.

**Solutions:**

1. Check battery power to remote control.
2. Check to be sure code switches are set properly in remote control transmitter and wall control.
3. Learning process between fan, remote control transmitter and wall control may not have been successful and code was not activated. Turn off power and repeat instructions in last paragraph of Section 10 (page 8).
4. Check for battery in wall control; verify battery is still good.

**Problem:** Fan wobbles.

**Solutions:**

1. Use the balancing kit in one of the hardware packs. If no blade balancing kit is provided, please call Customer Support, 1-800-486-4892, to request one.
2. Check to be sure set screw(s) on motor housing yoke is (are) tightened securely.
3. Check to be sure set screw on hanging ball is tightened securely.

## Warranty.

CRAFTMADE/ELLINGTON 30-YEAR WARRANTY:

CRAFTMADE/ELLINGTON warrants this fan to the original household purchaser for indoor use under the following provisions:

**1-YEAR WARRANTY:** CRAFTMADE/ELLINGTON will replace or repair any fan which has faulty performance due to a defect in material or workmanship. Contact

Craftmade/Ellington Customer Service at **1-800-486-4892** to arrange for return of fan. Return fan, shipping prepaid, to Craftmade/Ellington. We will repair or ship you a replacement fan, and we will pay the return shipping cost.

**5-YEAR WARRANTY:** CRAFTMADE/ELLINGTON will repair or replace at no charge to the original purchaser any fan motor that fails to operate satisfactorily when failure results from normal use.

**RETURN FAN MOTOR ONLY,** shipping prepaid, to Craftmade/Ellington. We will repair or ship purchaser a replacement motor and Craftmade/Ellington will pay the return shipping cost.

**6 to 30-YEAR LIMITED WARRANTY:**

CRAFTMADE/ELLINGTON will repair the fan, at no charge for labor only to the original purchaser, if the fan motor fails to operate satisfactorily when failure results from normal use. Parts used in the repair will be billed to the purchaser at prevailing prices at time of repair.

The purchaser shall be responsible for all costs incurred in the removal, reinstallation and shipping of the product for repairs.

This warranty does not apply when damage from mechanical, physical, electrical or water abuse results in causing the malfunction. Deterioration of finishes or other parts due to time or exposure to salt air is specifically exempted under this warranty.

Neither Craftmade/Ellington nor the manufacturer will assume any liability resulting from improper installation or use of this product. In no case shall the company be liable for any consequential damages for breach of this, or any other warranty expressed or implied whatsoever. This limitation as to consequential damages shall not apply in states where prohibited.

## Parts Replacement.

For parts and information, please refer to "Parts Inventory" on page 2.

Craftmade/Ellington Customer Support:

**1-800-486-4892**

[www.craftmade.com](http://www.craftmade.com)

# Craftmade

CEILING FANS

Est. 1985

# Craftmade

CEILING FANS

Est. 1985

LEER ESTAS INSTRUCCIONES Y  
GUARDARLAS PARA UTILIZACION FUTURA

El reglamento federal requiere que un ventilador de techo con juego de luz fabricado o importado después del 1<sup>ro</sup> de enero del 2009 limite el vatiaje total que consume el juego de luz a 190W. Por lo tanto, este ventilador tiene un aparato que sirve para limitar el vatiaje.



## Guía de instalación

Para modelos:

MN44FB4

MN44SS4

### Índice de materias:

- Sugerencias de seguridad. Pág. 1
- Desempaquetado del ventilador. Pág. 2
- Inventario de piezas. Pág. 2
- Preparación para la instalación. Pág. 3
- Instalación del soporte de montaje. Pág. 3
- Ensamblaje del ventilador. Págs. 4 - 5
- Instalación eléctrica. Págs. 5 - 6
- Colocación de la cubierta decorativa. Pág. 6
- Colocación de las aspas. Pág. 7
- Instalación del juego de luz. Págs. 7 - 8
- Proceso de aprendizaje automático/  
El activar el código. Pág. 8
- Funcionamiento del control de pared. Pág. 9
- Funcionamiento del control remoto. Pág. 9
- Verificación del funcionamiento del  
ventilador. Pág. 9
- Localización de fallas. Pág. 10
- Garantía. Pág. 10
- Piezas de repuesto. Pág. 10



peso neto del ventilador: 6,1 kg (13,45 lb)

IMPRESO EN CHINA

# SUGERENCIAS DE SEGURIDAD.

**ADVERTENCIA:** Para evitar la posibilidad de una descarga eléctrica, desconectar la corriente en la caja de fusibles principal o el interruptor protector antes de iniciar la instalación del ventilador o antes de repararlo o instalar accesorios.

1. **LEER TODAS LAS INSTRUCCIONES E INFORMACION DE SEGURIDAD CUIDADOSAMENTE ANTES DE INSTALAR SU VENTILADOR Y GUARDAR ESTAS INSTRUCCIONES.**

**PRECAUCION:** Para reducir el riesgo de daño corporal, es posible que sea necesario usar guantes al manejar las piezas del ventilador que tengan bordes afilados.

2. Asegurarse de que todas las conexiones eléctricas cumplan con los Códigos o las Ordenanzas Locales, el Código Nacional Eléctrico y ANSI/NFPA 70-1999. Si usted no está familiarizado con el alambrado eléctrico o los cables de la casa/el edificio son de colores diferentes a los cuales se refieren en las instrucciones, favor de buscar un electricista calificado.
3. Asegurarse de que haya localizado una ubicación para su ventilador que permite el espacio necesario para la rotación de las aspas, y por lo menos 2,13 metros (7 pies) de espacio libre entre el piso y las puntas de las aspas. Debe instalar el ventilador para que las puntas de las aspas queden una distancia de por lo menos 76 centímetros (30 pulgadas) de las paredes y otras estructuras verticales.
4. La caja de salida eléctrica debe estar bien sujeta a la viga de soporte del techo y deben ser capaces de sostener por lo menos 16 kilogramos (35 libras). La caja debe tener apoyo directo de la estructura del edificio. Sólo usar cajas de salida registradas con CUL (Canadá) o UL (EEUU) que indican que "sirven para ventilador" ("FOR FAN SUPPORT" en inglés).

**ADVERTENCIA:** Para reducir el riesgo de incendio, descarga eléctrica o daño corporal, instalar en la caja de salida marcada "Aceptable para sostener ventilador de 15,9 kg (35 lb) o menos" ["Acceptable for Fan Support of 15.9 kg (35 lbs) or less"] y utilizar los tornillos proporcionados con la caja de salida. La mayoría de las cajas de salida que se usan normalmente para sostener aparatos de alumbrado no siempre son apropiadas para sostener ventiladores y es posible que las tenga que reemplazar. En caso de duda, consultar con un electricista calificado.

**ADVERTENCIA:** Para reducir el riesgo de incendio, descarga eléctrica o daño corporal, los conectores para cable provistos con este ventilador son diseñados para aceptar sólo un cable de calibre 12 de la casa y dos cables principales del ventilador. Si el calibre del cable de la casa es superior al 12 o hay más de un cable de la casa para conectar a los cables principales del ventilador al cual corresponda cada uno, consultar con un electricista para informarse sobre el tamaño correcto de conectores para cable que se debe usar.

5. Los diagramas eléctricos son únicamente para referencia. Los juegos de luz que no se incluyen con el ventilador deben tener el símbolo CUL (Canadá) o UL (EEUU) y también deben indicar que sirven para uso con este ventilador. Los interruptores deben ser interruptores de uso general CUL (Canadá) o UL (EEUU). Referirse a las instrucciones incluidas con el juego de luz y los interruptores para ensamblarlos correctamente.
6. Después de haber terminado la instalación, asegurarse de que todas las conexiones estén totalmente seguras.
7. Después de haber terminado todas las conexiones eléctricas, los conductores empalmados deben ser volteados para arriba y colocados cuidadosamente dentro de la caja de salida. Los alambres se deben de separar con el conductor a tierra a un lado y el conductor a tierra del equipo al lado opuesto.

**ADVERTENCIA:** Para reducir el riesgo de incendio o un choque eléctrico, no usar el ventilador con ningún control de velocidad de estado sólido ni controlar la velocidad del ventilador con un interruptor con reductor de luz de gama completa. [El usar un interruptor con reductor de luz de gama completa para controlar la velocidad del ventilador causará un zumbido recio del ventilador.] (**Nota:** Este ventilador sí sirve para usar con control remoto.)

8. No utilizar el interruptor de reversa hasta que el ventilador se haya parado completamente.
9. No introducir ningún objeto entre las aspas mientras estén rotando.

**ADVERTENCIA:** Para reducir el riesgo de daño corporal, no doblar los brazos de las aspas durante el ensamblaje ni durante la instalación. No introducir objetos entre las aspas mientras estén rotando.

**ADVERTENCIA:** Para reducir el riesgo de daño corporal o algún daño al ventilador, tener cuidado al estar trabajando alrededor del ventilador o limpiándolo.

10. No utilizar agua ni detergentes para limpiar el ventilador ni las aspas. Usar un trapo seco o ligeramente húmedo para su limpieza general.

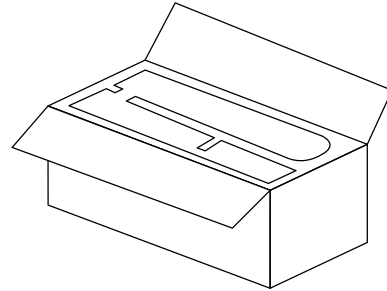
**ADVERTENCIA:** Para reducir el riesgo de daño corporal, usar **sólo** las piezas provistas con este ventilador. **Al usar piezas DISTINTAS a las provistas con este ventilador se invalidará la garantía.**

**NOTA:** No se debe concluir que las precauciones de seguridad importantes e instrucciones en este manual van a abarcar todas las condiciones y situaciones posibles que puedan ocurrir. Se debe entender que el sentido común y la precaución son factores necesarios en la instalación y la operación de este ventilador.

# 1. Desempaquetado del ventilador.

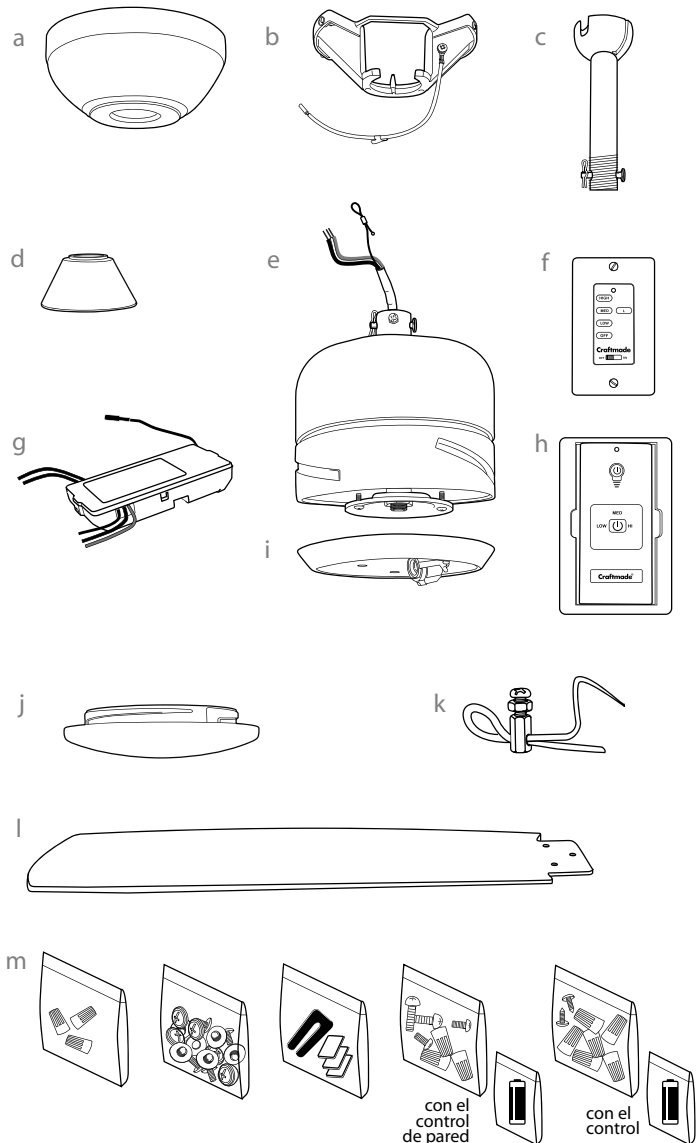
Abrir el empaque cuidadosamente. Sacar los artículos del embalaje. Sacar el motor y ponerlo en una alfombra o en el embalaje para evitar rayar el acabado. Guardar la caja de cartón o el empaquetamiento original en caso de que tenga que mandar el ventilador para alguna reparación.

Comprobar las piezas del ventilador con el inventario de piezas y verificar que se incluyeron todas.



## 2. Inventario de piezas.

- a.** cubierta decorativa. 1 unidad
- b.** soporte de montaje (fijado de antemano a la cubierta decorativa). 1 unidad
- c.** tubo de 15,24cm y bola que sirve para colgar (con perno y clavija). 1 unidad
- d.** cubierta del cuello. 1 unidad
- e.** bastidor del motor. 1 unidad
- f.** control de pared. 2 unidades distintas
- g.** receptor del control remoto. 1 unidad
- h.** transmisor del control remoto. 1 unidad
- i.** conector para el juego de luz (fijado de antemano al bastidor del motor). 1 unidad
- j.** pantalla de vidrio. 1 unidad
- k.** cable de seguridad con seguro (fijado de antemano al motor). 1 unidad
- l.** aspa. 4 unidades
- m.** paquetes de artículos de ferretería



**⚠ RECORDATORIO IMPORTANTE:**  
Se tienen que utilizar las piezas provistas con este ventilador para una instalación adecuada y su seguridad. **⚠**

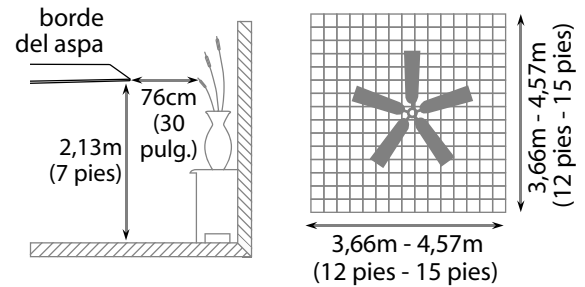
**bombilla necesaria:**  
1 bombilla halógena de 50 vatios máx.,  
tipo JD E11 (incluida)



### 3. Preparación para la instalación.

Para prevenir daño corporal y otros daños, estar seguro de que el lugar en donde va a colgar el ventilador le permite un espacio libre de 2,13m (7 pies) entre las puntas de las aspas y el piso y 76cm (30 pulg.) entre las aspas y cualquier pared u otra obstrucción.

Este ventilador es adecuado para habitaciones hasta 20,9 metros cuadrados (225 pies cuadrados).

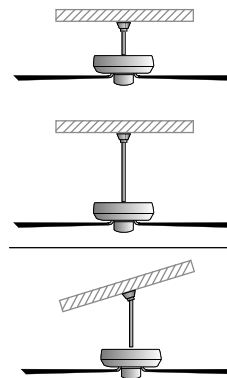


Se puede colgar este ventilador **con tubo** en un techo regular (sin inclinación) o abovedado. La longitud colgante se puede extender comprando un tubo más largo (con diámetro de 1,27cm/0,5 pulg.). **NO** hay ningún otro tipo de instalación, como **al ras con el techo**, disponible para este ventilador.

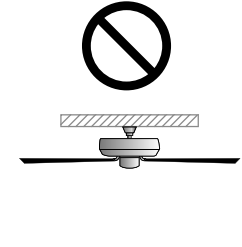
#### Se necesitan las herramientas siguientes para la instalación:

Destornillador de estrella Phillips, destornillador de paleta (plano), alicates ajustables o llave de tuercas, escalera de tijera, cortaalambres y cinta aisladora.

#### instalación con tubo



#### instalación al ras con el techo



El ángulo de inclinación de un techo abovedado no puede exceder los 25 grados.

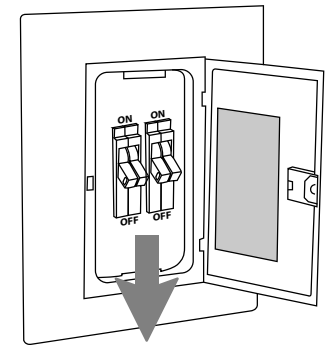
### 4. Instalación del soporte de montaje.

Apagar los cortacircuitos en el panel de electricidad que suplen corriente a la caja de salida y asegurarse de que el interruptor de luz esté APAGADO.

**ADVERTENCIA:** El no desconectar el suministro de fuerza antes de la instalación puede tener por resultado lesiones graves.

Quitar el aparato existente.

**ADVERTENCIA:** Si utiliza una caja de salida existente, asegurarse de que la caja de salida esté firmemente conectada a la estructura del edificio y que sea capaz de sostener el peso total del ventilador. Asegurarse de que la caja de salida indique claramente que "Sirve para ventilador" (FOR FAN SUPPORT); si no, se debe reemplazar con una caja de salida aprobada. El no hacer el cambio si es necesario puede resultar en lesiones graves.

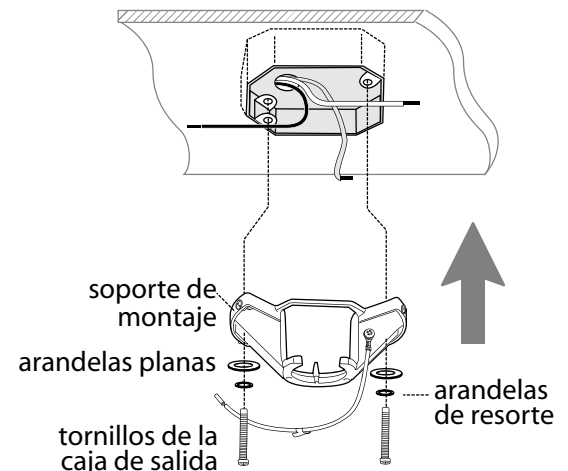


**PRECAUCION:** Asegurarse de que la caja de salida esté conectada a tierra correctamente y que haya un conductor a tierra (**VERDE** o **pelado**).

Localizar los tornillos en los agujeros con ranura en la cubierta decorativa y parcialmente aflojar dichos tornillos. Quitar los otros 2 tornillos--guardar para uso más adelante. Girar la cubierta decorativa para sacar el soporte de montaje.

Instalar el soporte de montaje utilizando los tornillos originales, las arandelas de resorte y las arandelas planas de su nueva o existente caja de salida.\* Si hace la instalación en un techo abovedado, colocar el soporte de montaje con la abertura dirigida hacia la parte alta del techo. Arreglar el alambreado eléctrico (los cables) en la parte de atrás del soporte y lejos de la abertura del soporte.

**\*Nota:** Es muy importante usar los artículos de ferretería correctos al instalar el soporte de montaje puesto que sirve para sostener el ventilador.



## 5. Ensamblaje del ventilador.

Si usted desea extender la longitud colgante del ventilador, usted tendrá que quitar la bola que se sirve para colgar del tubo de 15,24cm provisto para usarla con un tubo más largo (a la venta por separado). [Si desea utilizar el tubo de 15,24cm, favor de pasar a las instrucciones después de la línea punteada corta más abajo.]

Para quitar la bola que sirve para colgar, aflojar el tornillo de fijación de la bola que sirve para colgar y quitar el perno y la clavija. Bajar la bola que sirve para colgar y sacar el perno de tope. Quitar la bola que sirve para colgar del tubo original, A, y deslizarla sobre el tubo más largo, B (la parte de arriba del tubo debe tener el agujero para el tornillo de fijación en ese extremo; usar ese agujero al colocar el tornillo de fijación). Introducir el perno de tope en la parte de arriba del tubo más largo y subir la bola que sirve para colgar. Asegurarse de que el perno de tope se ponga en línea con las ranuras dentro de la bola que sirve para colgar. Apretar bien el tornillo de fijación. [Referirse al **diagrama 1**.]

Quitar el seguro del cable de seguridad aflojando el tornillo y la tuerca en el seguro. [Referirse al **diagrama 2**.]

**Sugerencia:** Para preparar los cables para pasarlos por el tubo, poner un pedacito de cinta aisladora en la punta de los cables—esto mantendrá los cables juntos al pasarlos por el tubo.

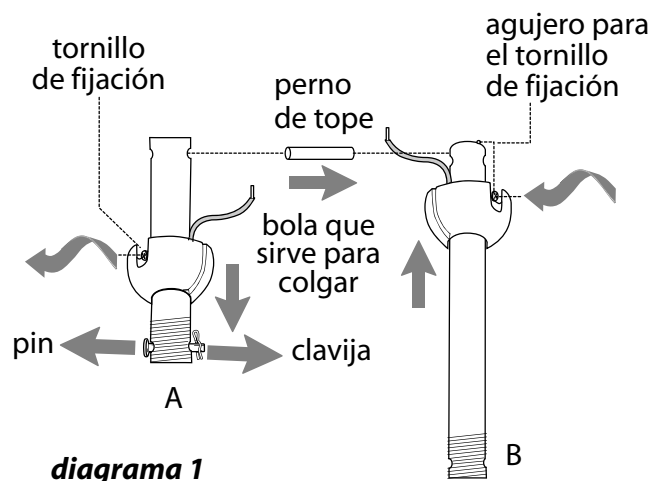
Aflojar los tornillos de fijación del cuello y la tuerca en la parte superior del bastidor del motor. Quitar el perno y la clavija del tubo (si todavía no se hace). Pasar el tubo por la cubierta decorativa y la cubierta del cuello.

Pasar los cables del ventilador y el cable de seguridad a través del tubo y con cuidado jalar el cableado en exceso por la parte de arriba del tubo. [Referirse al **diagrama 3**.]

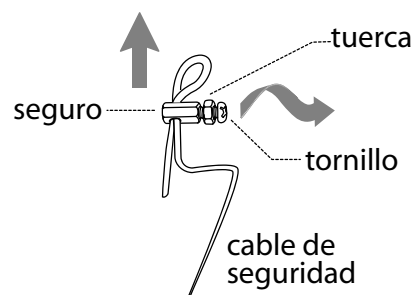
Enroscar el tubo en el cuello del bastidor del motor hasta alinearse los agujeros para el perno y la clavija en el tubo con los del cuello—asegurarse de que no se tuerzan los cables. Volver a introducir el perno y la clavija que se quitaron anteriormente. Apretar los tornillos de fijación del cuello y la tuerca completamente. [Referirse al **diagrama 3**.] Bajar la cubierta del cuello hasta el bastidor del motor.

[El "Ensamblaje del ventilador" continúa en la página siguiente.]

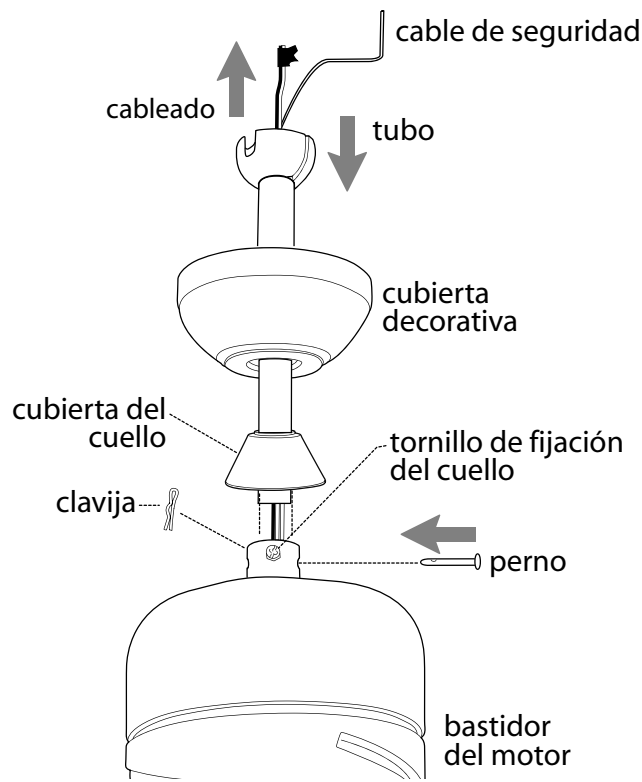
**NOTA:** No se debe concluir que las precauciones de seguridad importantes e instrucciones en este manual van a abarcar todas las condiciones y situaciones posibles que puedan ocurrir. Se debe entender que el sentido común y la precaución son factores necesarios en la instalación y la operación de este ventilador.



**diagrama 1**



**diagrama 2**



**diagrama 3**



## 5. Ensamblaje del ventilador. (cont.)

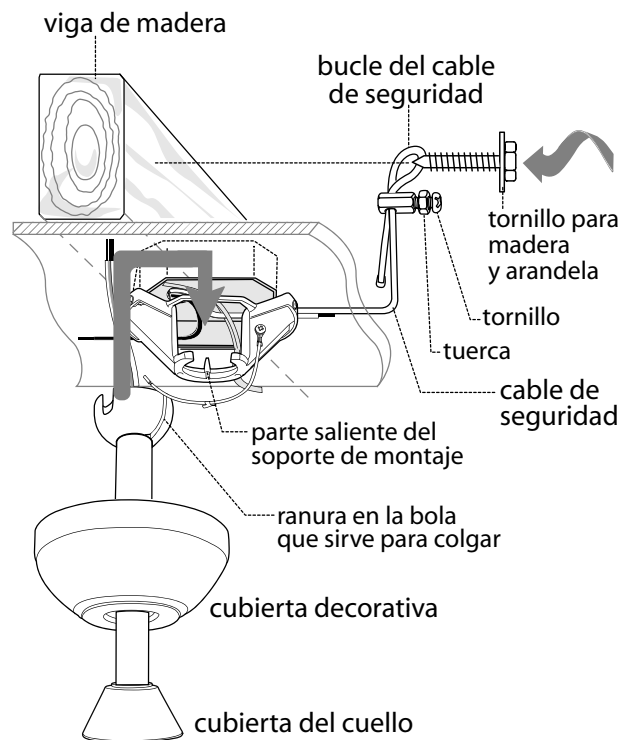
Ya que esté sujetado el soporte de montaje a la caja de salida y capaz de apoyar el ventilador, usted está listo para colgar el ventilador. Agarrar el ventilador firmemente con las dos manos. Deslizar el tubo por la abertura del soporte de montaje y dejar que se detenga la bola en el soporte de montaje. Girar la bola que sirve para colgar hasta que la ranura de la bola se alinee con la parte saliente del soporte de montaje.

**ADVERTENCIA:** El no alinear la ranura en la bola que sirve para colgar con la parte saliente del soporte de montaje puede causar lesiones graves o la muerte.

**Sugerencia:** Solicitar ayuda de otra persona para mantener sujeto la escalera y para que le suba el ventilador cuando usted ya esté preparado en la escalera para colgarlo.

Volver a poner el seguro en el cable de seguridad y ajustar el largo del cable de seguridad aflojando el tornillo y la tuerca del seguro y jalando en el cable. Ajustar la parte floja del cable para que mida como el largo de una mano y asegurar el seguro apretando bien el tornillo y la tuerca. **[Referirse al diagrama al lado.]** El bucle en el extremo del cable de seguridad debe ser de tal tamaño que pase justo sobre la punta de la parte roscada del tornillo para madera. *Poner el cable a prueba jalando la parte suelta en la punta del cable con alicate. Si el cable se desliza o se reduce el bucle del cable por donde pasa el tornillo, hay que apretar el tornillo y la tuerca del seguro del cable de seguridad nuevamente.*

Encontrar un punto de acoplamiento seguro (se recomienda la viga de madera en el techo) y asegurar el cable de seguridad. Utilizar tornillo para madera para trabajos pesados, arandela y arandela de seguridad (no provistos) en el bucle del cable de seguridad. Se puede poner el cable en exceso en el área del techo.



## 6. Instalación eléctrica.

**PRECAUCION:** Asegurarse de que la caja de salida esté conectada a tierra como es debido y que exista un conductor a tierra (**VERDE** o pelado).

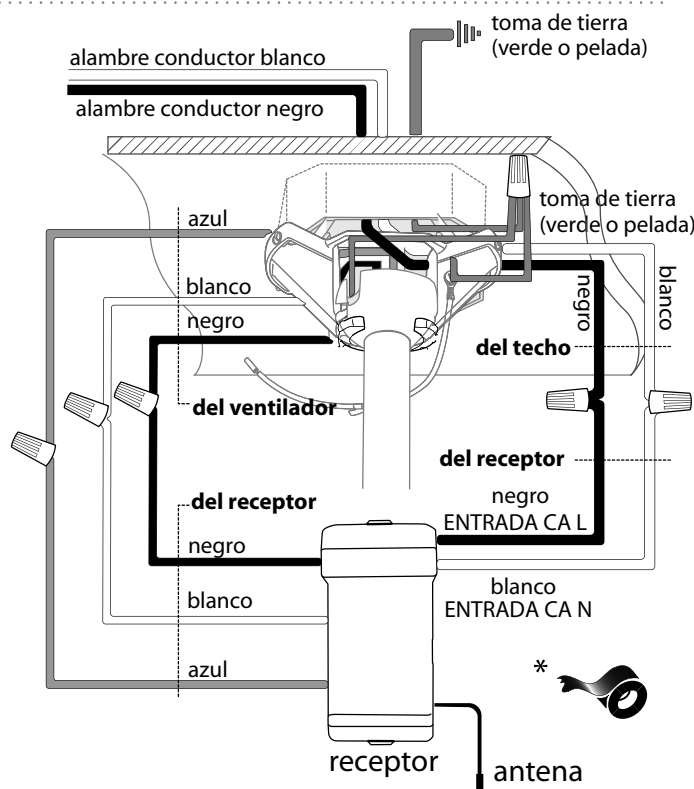
Asegurarse de que toda conexión eléctrica cumpla con los Códigos o las Ordenanzas Locales y el Código Nacional Eléctrico. Si usted no está familiarizado con la instalación eléctrica o los cables de la casa/el edificio son de colores diferentes a los cuales se refieren en la página siguiente, favor de buscar un electricista calificado.

Una vez que el ventilador esté bien sujeto en el soporte de montaje, **ALAMBRAR EL RECEPTOR** con los conectores para cable provistos así como se muestra en el *diagrama al lado*. **Sugerencia:** Mientras está haciendo la instalación eléctrica, recordar que los cables no deben impedir el posicionamiento del receptor en el soporte de montaje.

\* Como una medida de seguridad adicional, envolver cada conector para cable por separado con cinta aisladora.

Meter el receptor (con el lado plano boca arriba) y cuidadosamente empujar los conectores para cable que tienen cinta dentro de la caja de salida. Dejar que la antena se quede *fuera* del soporte de montaje.

[La "Instalación eléctrica" continúa en la página siguiente.]



(cableado para el receptor)

## 6. Instalación eléctrica. (cont.)

PARA HACER LA INSTALACION ELECTRICA DEL CONTROL DE PARED, quitar el interruptor de pared existente. **Alambrar el CONTROL DE PARED** con los conectores para cable provistos *así como se muestra en el diagrama al lado*.

\* Como una medida de seguridad adicional, envolver cada conector para cable con cinta aisladora. Delicadamente meter los cables y los conectores para cable que tienen cinta dentro de la caja de salida.

Usar un bolígrafo o un destornillador pequeño para programar los conmutadores de las unidades de control remoto 1 a 4 en el control de pared. Viene de la fábrica en una posición predeterminada y no se recomienda usarla. **Anotar el orden de los números en secuencia para usarlos en la sección 10.**

**Nota:** Ya que este ventilador viene con bombilla halógena, el interruptor del reductor de luz (etiquetado **D** y **X**) está programado de antemano en posición "ENCENDIDO" (**D**). Si no desea tener la capacidad de bajar la luz, favor de mover el interruptor a la posición "APAGADO" (**X**).

Instalar 1 batería de 12 voltios (incluida) en el control de pared. Sujetar el control de pared a la caja de salida y asegurarlo con los tornillos del interruptor de pared original. Sujetar la placa delantera al control de pared usando los 2 tornillos provistos con el control de pared.

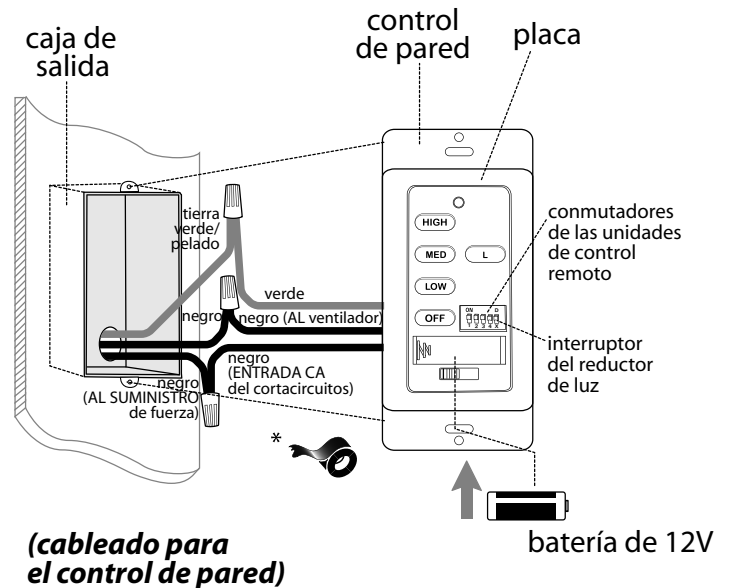
**Importante:** El control de pared no funcionará sin que se instale la batería.

Las modificaciones no aprobadas por la parte responsable de la conformidad podrían invalidar la autorización del usuario para manejar el equipo.

\*NOTA: Se han hecho pruebas en este equipo y se ha comprobado que cumple con los límites para un aparato digital de clase B, de acuerdo con la Parte 15 de las Reglas de la FCC. Se concibieron estos límites para proveer protección razonable contra la interferencia adversa en una instalación residencial. Este equipo produce, usa y puede radiar energía de radiofrecuencia y, si no se instala y no se usa según las instrucciones, puede causar interferencia adversa en la radiocomunicación. Sin embargo, no hay ninguna garantía de que no habrá interferencia en una instalación en particular. Si este equipo sí causa interferencia adversa en la recepción de radio o televisión, que se puede determinar apagando y prendiendo el equipo, se le urge al usuario a intentar rectificar la interferencia tomando una o más de las medidas que siguen:

- \* Orientar la antena de nuevo o localizarla en otro sitio.
- \* Aumentar la separación entre el equipo y el receptor.
- \* Conectar el equipo a un tomacorriente en un circuito distinto al cual está conectado el receptor.

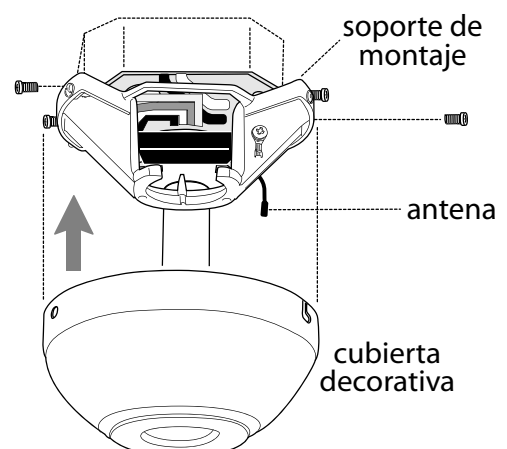
Solicitar ayuda del distribuidor o un técnico de radio/televisión.



## 7. Colocación de la cubierta decorativa.

Subir la cubierta decorativa al soporte de montaje y alinear los agujeros con ranura en la cubierta decorativa con los tornillos aflojados en el soporte de montaje. Girar la cubierta decorativa para cerrarla. Introducir los tornillos que se quitaron anteriormente (en la página 3, sección 4) en los otros agujeros y apretar todos los tornillos con destornillador de estrella Phillips.

\*Recordar que la antena del receptor del control remoto debe quedar *fuera* del soporte de montaje.



## 8. Colocación de las aspas.

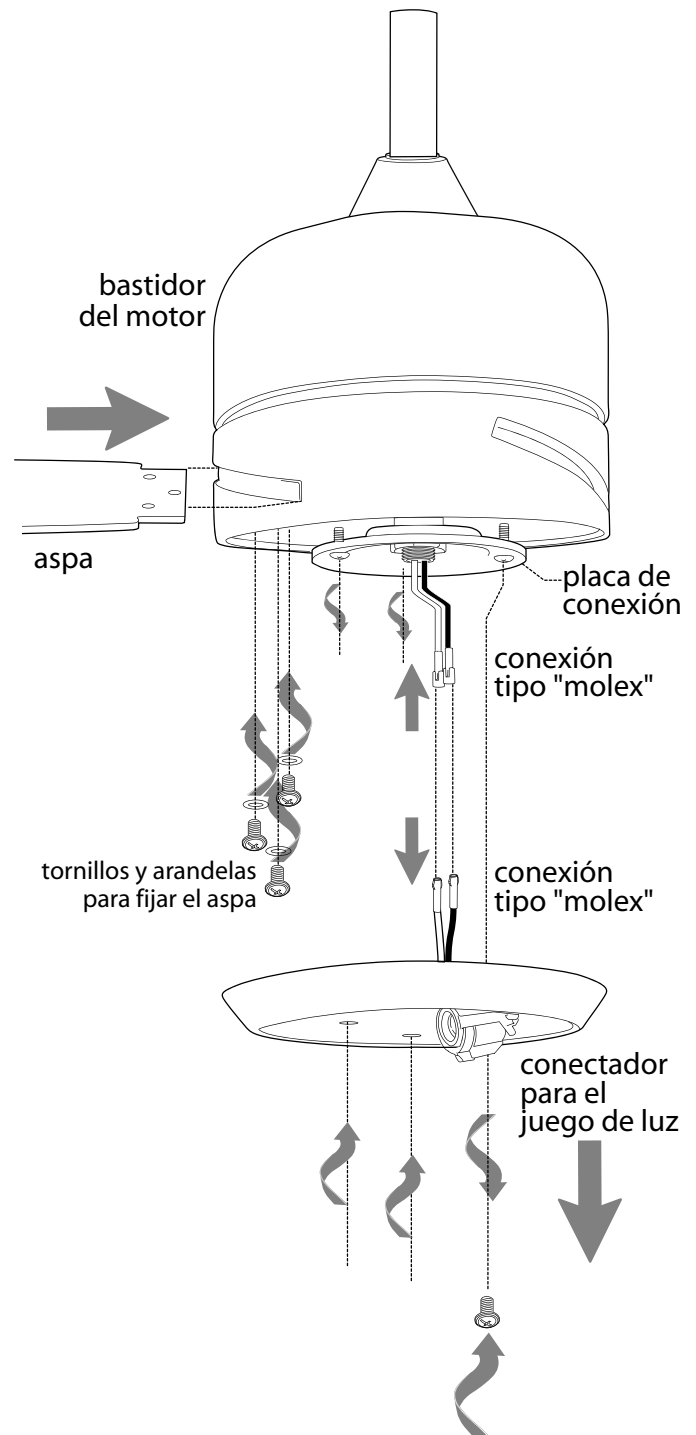
Aflojar los 2 tornillos en los agujeros con ranura dentro del conector para el juego de luz (localizados en el lado inferior del bastidor del motor) y quitar el otro tornillo. Girar el conector para el juego de luz y con cuidado jalarlo hacia abajo para quitarlo.

[**Nota:** Se tienen que desconectar los enchufes tipo "molex" **ANTES** de quitar el conector para el juego de luz del bastidor del motor. Los enchufes tipo "molex" se pueden desconectar simplemente separándolos.]

**Para ahorrar tiempo:** Se pueden poner las arandelas en los tornillos que son para las aspas antes de colocar las aspas.

Localizar los 12 tornillos para fijar las aspas y las arandelas en uno de los paquetes de artículos de ferretería. Deslizar un aspa por una de las aberturas estrechas y rectangulares en el bastidor del motor, alineando los agujeros en el aspa con los agujeros en el brazo para el aspa (**localizado ADENTRO del lado inferior del bastidor del motor**)--referirse al dibujo al lado. Introducir 3 tornillos para fijar el aspa (junto con las arandelas) y luego apretar los tornillos bien con un destornillador de estrella Phillips. Repetir el procedimiento con las demás aspas.

**Nota:** Apretar los tornillos para los brazos para las aspas dos veces al año.



## 9. Instalación del juego de luz.

Volver a fijar los enchufes tipo "molex" conectando el cable **NEGRO** del bastidor del motor al cable **NEGRO** del conector para el juego de luz y el cable **BLANCO** del bastidor del motor al cable **BLANCO** del conector para el juego de luz. Estar seguro de que las conexiones tipo "molex" se cierran bien con un clic.

Con cuidado arreglar el cableado dentro de la placa de conexión. Alinear los agujeros con ranura en el conector para el juego de luz con los tornillos aflojados en la placa de conexión--*tener cuidado de no apretar los cables ni las conexiones tipo "molex" entre el conector para el juego de luz y la placa de conexión.* Girar el conector para el juego de luz para cerrarlo. Volver a introducir el tornillo que se quitó anteriormente del conector para juego de luz. Apretar los 3 tornillos para asegurar el conector para el juego de luz.

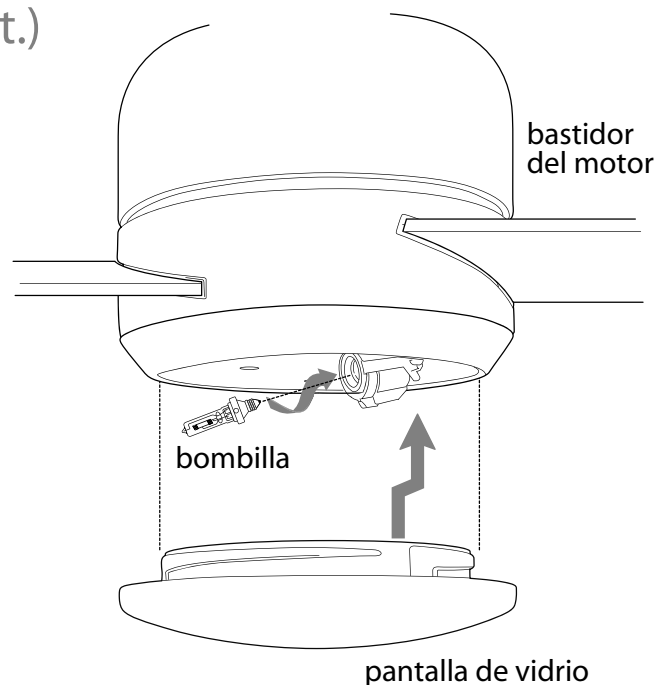
## 9. Instalación del juego de luz. (cont.)

Instalar la bombilla halógena de 50 vatios, tipo JD E11 (incluida).

**Sugerencia:** No tocar la parte de vidrio de la bombilla con los dedos ni con las manos. Es posible que la bombilla se caliente demasiado debido al aceite en la piel y luego que se funda antes de tiempo. Usar la caja de cartón o la envoltura en la cual se empacó la bombilla para manipular la parte vidrio de la bombilla.

Localizar las ranuras en la pantalla de vidrio y alinearlas con los nódulos dentro del conector para el juego de luz. Empujar para arriba suavemente en la pantalla de vidrio. Girar la pantalla de vidrio en el mismo sentido de la **rotación del reloj** hasta que se quede encajada.

**IMPORTANTE:** Cuando necesite reemplazar la bombilla, favor de dejar que se enfríen la bombilla y la pantalla de vidrio antes de tocarlas. Usar una bombilla halógena, tipo JD E11, de 50 vatios *máx.* para reemplazar la bombilla, recordándose de no tocar la bombilla misma como se describe más arriba (ver "**Sugerencia**").



## 10. Proceso de aprendizaje automático./ El activar el código.

**PRECAUCION:** Se puede programar el transmisor del control remoto para usar con varios receptores o ventiladores. Si no desea hacer esto, apagar el interruptor de cualquier otro receptor o ventilador programable.

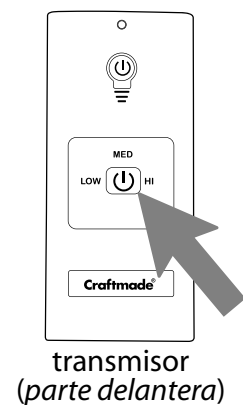
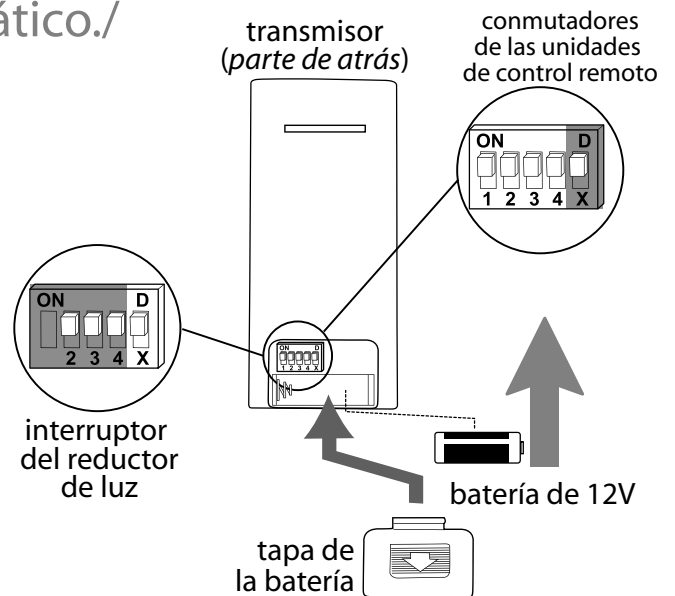
Quitar la tapa de la batería en la parte de atrás del transmisor del control remoto.

Usar un bolígrafo o un destornillador pequeño para programar los conmutadores de las unidades de control remoto 1 a 4 en el transmisor. Usar el mismo orden de número que se usó cuando se hizo el cableado del control de pared en la sección 6 (página 6).

**Nota:** Ya que este ventilador viene con bombilla halógena, el interruptor del reductor de luz (etiquetado **D** y **X**) está programado de antemano en posición "ENCENDIDO" (**D**). Si no desea tener la capacidad de bajar la luz, favor de mover el interruptor a la posición "APAGADO" (**X**).

Instalar 1 batería de 12 voltios (incluida) en el transmisor. Poner la tapa de la batería en el transmisor de nuevo.

Volver a conectar la electricidad y luego poner el interruptor corredero en el control de pared en posición ON (encendida). Dentro de 30 segundos de haber prendido el control de pared, oprimir el botón "OFF" (⏏), en el lado principal del transmisor, por 5 segundos o hasta que la luz parpadee dos veces. Poner a prueba las funciones de luz y ventilador para confirmar que se haya terminado el proceso de aprendizaje--véase la sección 13.



## 11. Funcionamiento del control de pared.

Interruptor corredero **ON / OFF** - PRENDE o APAGA el *control de pared*

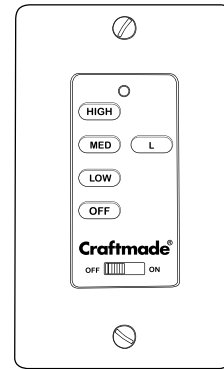
Botón **HIGH** - pone el *ventilador* en velocidad ALTA

Botón **MED** - pone el *ventilador* en velocidad MEDIA

Botón **LOW** - pone el *ventilador* en velocidad BAJA

Botón **OFF** - APAGA el *ventilador*

Botón **L** - ENCIENDE/APAGA la *luz* cuando se oprime el botón una vez;  
al oprimir el botón y mantenerlo oprimido, se atenúa la *luz*



## 12. Funcionamiento del control remoto.

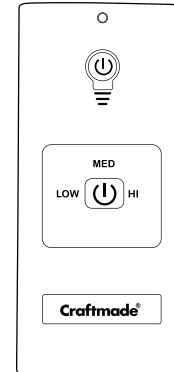
Botón **HI** - pone el *ventilador* en velocidad ALTA

Botón **MED** - pone el *ventilador* en velocidad MEDIA

Botón **LOW** - pone el *ventilador* en velocidad BAJA

Botón - APAGA el *ventilador*

Botón - tocándolo ligeramente ENCIENDE/APAGA la *luz*. Al mantener el botón oprimido por más de 0,7 segundos se convierte en reductor de luz.



## 13. Verificación del funcionamiento del ventilador.

Se le recomienda poner el ventilador a prueba antes de terminar la instalación. Regresar la corriente de electricidad en el cortacircuitos y el interruptor de la luz (si se aplica). Localizar el interruptor corredero de APAGADO y ENCENDIDO en el control de pared y ponerlo en posición ENCENDIDA (ON). Poner a prueba la luz y la función del reductor de luz y luego las velocidades del ventilador. Luego, localizar el transmisor del control remoto. Poner a prueba la función de luz de APAGADO y ENCENDIDO con el botón en el control remoto. Poner a prueba el funcionamiento del reductor de luz oprimiendo el botón por más de 2 segundos. Verificar las velocidades del ventilador con los diferentes botones de velocidad en el control remoto. (**diagrama 1**) Si el control remoto maneja todas las funciones de ventilador y luz, se ha instalado bien la batería. Si el ventilador y/o la luz no funciona(n), favor de referirse a la sección "Localización de fallas" para resolver cualquier asunto antes de comunicarse con el Servicio al Cliente.

Apagar el ventilador completamente *antes* de mover el interruptor de reversa (localizado en la parte superior del bastidor del motor). (**diagrama 1**) Regularlo para que se circule el aire dependiendo de las estaciones del año.

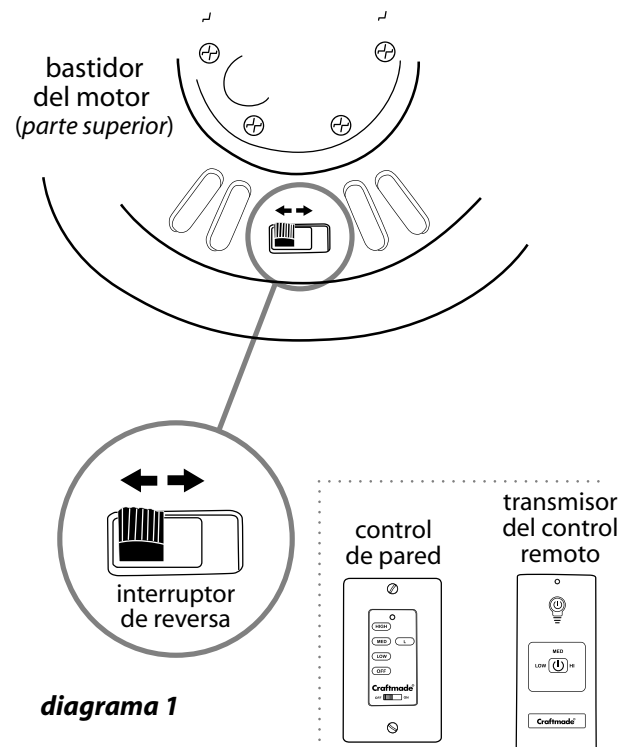
- posición IZQUIERDA en verano (**diagrama 2**)

- posición DERECHA en invierno (**diagrama 3**)

Un ventilador de techo le permitirá subir el termostato en verano y bajarlo en invierno sin notar una diferencia en su comodidad.

**Importante:** Hay que mover el interruptor de reversa o *completamente* hacia la IZQUIERDA o *completamente* hacia la DERECHA para que funcione el ventilador. Si el interruptor de reversa está puesto en la posición de en *medio* (**diagrama 4**), no funcionará el ventilador.

**NOTA:** Si el control remoto interfiere con otros aparatos, cambiar los conmutadores de las unidades de control remoto en el transmisor (y el control de pared) a otro código. Si es que cambia el código, **cortar la electricidad**, quitar la tapa de la batería, y, después de programar el nuevo código, repetir las instrucciones del último párrafo de la sección 10 (página 8).



**diagrama 1**



**diagrama 2**



**diagrama 3**



**diagrama 4**

## Localización de fallas.

**ADVERTENCIA:** *El no desconectar el suministro de fuerza eléctrica antes de hacer localización de fallas para cualquier problema de instalación eléctrica puede causar lesiones graves.*

**Problema:** El ventilador no funciona.

**Soluciones:**

1. Inspeccionar el interruptor de pared del ventilador.
2. Verificar que el interruptor de reversa del ventilador está en una sola posición, no en medio de las dos.
3. Asegurarse de que se hizo correctamente la instalación eléctrica en el receptor.
4. Verificar la instalación eléctrica del ventilador.
5. Asegurarse de que los conmutadores de las unidades de control remoto estén puestos correctamente en el transmisor del control remoto y el control de pared.
6. Es posible que no tuvo éxito el proceso de aprendizaje entre el ventilador, el transmisor del control remoto y el control de pared y que no se activó el código. Desconectar la electricidad y repetir las instrucciones en el último párrafo de la sección 10 (página 8).
7. Averiguar que la luz roja se prende en el transmisor del control remoto cuando se oprima un botón, lo cual significa que sirve la batería.

**Problema:** El juego de luz no se ilumina.

**Soluciones:**

1. Inspeccionar el interruptor de pared del ventilador.
2. Verificar que se instaló correctamente la bombilla.
3. Verificar que se hizo correctamente la conexión de cables en la cubierta decorativa.
4. Asegurarse de que se conectaron bien las conexiones tipo "molex" en el conector para el juego de luz.
5. Es posible que no tuvo éxito el proceso de aprendizaje entre el ventilador, el transmisor del control remoto y el control de pared y que no se activó el código. Desconectar la electricidad y repetir las instrucciones en el último párrafo de la sección 10 (página 8).
6. Verificar que la bombilla no suma más de 190W. [Nota: El poner una bombilla en el juego de luz que suma más de 190W ocasionará la interrupción de la corriente eléctrica que va al juego de luz debido al aparato que sirve para limitar el vatiaje.]

**Problema:** El ventilador funciona pero la luz no.

**Soluciones:**

1. Verificar que se instaló correctamente la bombilla.
2. Verificar que se hizo correctamente la conexión de cables en la cubierta decorativa.
3. Reemplazar una bombilla defectuosa con el mismo tipo de bombilla.
4. Asegurarse de que se conectaron bien las conexiones tipo "molex" en el conector para el juego de luz.
5. Verificar que la bombilla no suma más de 190W. [Nota: El poner una bombilla en el juego de luz que suma más de 190W ocasionará la interrupción de la corriente eléctrica que va al juego de luz debido al aparato que sirve para limitar el vatiaje.]

**Problema:** No funcionan el ventilador ni la luz con el control remoto.

**Soluciones:**

1. Averiguar la carga de la batería en el control remoto.
2. Asegurarse de que los conmutadores de las unidades de control remoto estén puestos correctamente en el transmisor del control remoto y el control de pared.
3. Es posible que no tuvo éxito el proceso de aprendizaje entre el ventilador, el transmisor del control remoto y el control de pared y que no se activó el código. Desconectar la electricidad y repetir las instrucciones en el último párrafo de la sección 10 (página 8).
4. Averiguar que hay batería en el control de pared; verificar si aún sirve la batería.

**Problema:** El ventilador se tambalea.

**Soluciones:**

1. Usar el juego para balancear las aspas incluido en uno de los paquetes de artículos de ferretería. *Si no se incluye un juego para balancear las aspas, llamar al Servicio al Cliente, 1-800-486-4892, para pedir uno.*
2. Averiguar que se apretó (apretaron) bien el (los) tornillo(s) de fijación en el cuello del bastidor del motor.
3. Averiguar que se apretó bien el tornillo de fijación en la bola que sirve para colgar.

## Garantía.

GARANTIA LIMITADA DE 30 AÑOS DE CRAFTMADE/ELLINGTON:

CRAFTMADE/ELLINGTON garantiza este ventilador al comprador original de grupo familiar para uso interior con las siguientes condiciones:

GARANTIA DE 1 AÑO: CRAFTMADE/ELLINGTON reemplazará o reparará cualquier ventilador que tenga funcionamiento deficiente debido a defectos en los materiales o trabajo manual. Comunicarse con el Servicio al Cliente de CRAFTMADE/ELLINGTON al **1-800-486-4892** para acordar el reenvío del ventilador. Devolver el ventilador, con los gastos de envío propagados, a Craftmade/Ellington. Nosotros repararemos o reemplazaremos el ventilador y pagaremos los gastos de envío de regreso.

GARANTIA DE 5 AÑOS: CRAFTMADE/ELLINGTON reemplazará o reparará sin costo al comprador original, cualquier motor de ventilador que no funcione de manera satisfactoria a causa de uso normal.

DEVOLVER EL MOTOR SOLAMENTE, los gastos de envío propagados, a Craftmade/Ellington. Nosotros repararemos el motor al comprador o le enviaremos uno de reemplazo y Craftmade/Ellington pagará los gastos de envío de regreso.

GARANTIA LIMITADA DE 6 a 30 AÑOS: CRAFTMADE/ELLINGTON reparará el ventilador, sin costo al comprador original por el coste laboral, si el motor del ventilador no funciona satisfactoriamente a causa del uso normal. Las piezas que se utilizan en hacer la reparación serán facturadas al comprador a los precios prevaletientes en el momento de la reparación.

El comprador original será responsable de todos los gastos incurridos en sacar, reinstalar y enviar el producto para reparación.

Esta garantía no se aplica cuando el ventilador tenga daños por abuso mecánico, físico, eléctrico o por agua resultando en su mal funcionamiento. Se exenta específicamente el deterioro en el acabado u otras partes debido al tiempo o exposición al aire marino bajo esta garantía.

Ni Craftmade/Ellington ni el fabricante se harán responsables por lo que pasa por una instalación inadecuada o el uso impropio de este producto. La compañía no se hará responsable en ningún caso de ningún daño emergente por incumplimiento de esta o cualquier otra garantía expresada o implicada en absoluto. Esta limitación de daños emergentes no se aplicará en estados donde es prohibido.

## Piezas de repuesto.

Para piezas o información, referirse al "Inventario de piezas" en la página 2. Servicio al Cliente de Craftmade/Ellington: **1-800-486-4892**  
[www.craftmade.com](http://www.craftmade.com)

# Craftmade

CEILING FANS

Est. 1985