

CRAFTMADE

READ THESE INSTRUCTIONS AND
SAVE THEM FOR FUTURE USE



Pro Energy Saver 209

Installation Guide

For Model:
CES209

Table of Contents:

- Safety Tips. pg. 1
- Unpacking Your Fan. pg. 2
- Parts Inventory. pg. 2
- Installation Preparation. pg. 3
- Hanging Bracket Installation. pg. 3
- Fan Assembly. pgs. 4 - 5
- Wiring. pg. 5
- Canopy Assembly. pg. 6
- Blade* Assembly. pg. 6
- Light Kit Assembly. pg. 7
- Testing Your Fan. pg. 8
- Troubleshooting. pg. 9
- Parts Replacement. pg. 9
- Warranty. pg. 9

*sold separately



net weight of fan: 12.35 lb (5.6 kg)

PRINTED IN CHINA

SAFETY TIPS.

WARNING: To reduce the risk of electrical shock, turn off the electricity to the fan at the main fuse box or circuit panel before you begin the fan installation or before servicing the fan or installing accessories.

1. **READ ALL INSTRUCTIONS AND SAFETY INFORMATION CAREFULLY BEFORE INSTALLING YOUR FAN AND SAVE THESE INSTRUCTIONS.**

CAUTION: To avoid personal injury, the use of gloves may be necessary while handling fan parts with sharp edges.

2. Make sure all electrical connections comply with Local Codes or Ordinances, the National Electrical Code, and ANSI/NFPA 70-1999. If you are unfamiliar with electrical wiring or if the house/building wires are different colors than those referred to in the instructions, please use a qualified electrician.
3. Make sure you have a location selected for your fan that allows clear space for the blades to rotate, and at least seven (7) feet (2.13 meters) of clearance between the floor and the fan blade tips. The fan should be mounted so that the tips of the blades are at least thirty (30) inches (76 centimeters) from walls or other upright structures.
4. The outlet box and ceiling support joist used must be securely mounted, and capable of supporting at least 35 pounds (16 kilograms). The box must be supported directly by the building structure. Use only CETL or CUL in Canada or ETL or UL in USA listed outlet boxes marked "FOR FAN SUPPORT."

WARNING: To reduce the risk of fire, electrical shock, or personal injury, mount to the outlet box marked "Acceptable for Fan Support of 15.9 kg (35 lb) or less," and use the mounting screws provided with the outlet box. Most outlet boxes commonly used for the support of lighting fixtures are not acceptable for fan support and may need to be replaced. Consult a qualified electrician if in doubt.

WARNING: To reduce the risk of fire, electrical shock, or personal injury, wire connectors provided with this fan are designed to accept only one 12 gauge house wire and two lead wires from the fan. If your house wire is larger than 12 gauge or there is more than one house wire to connect to the corresponding fan lead wires, consult an electrician for the proper size wire connectors to use.

5. Electrical diagrams are for reference only.
6. After installation is complete, check that all connections are absolutely secure.
7. After making electrical connections, spliced conductors should be turned upward and pushed carefully up into the outlet box. The wires should be spread apart with the grounded conductor and the equipment-grounding conductor on opposite sides of the outlet box.

WARNING: To reduce the risk of fire or electrical shock, do not use this fan with any solid state speed control device or control fan speed with a full range dimmer switch. [Using a full range dimmer switch to control fan speed will cause a loud humming noise from fan.] (**Note:** This fan *is* suitable for use with remote control.)

8. Do not operate the reverse switch until fan has come to a complete stop. (**Note:** If using remote control with reverse capability, reverse fan blade direction only when on LOW speed.)
9. Do not insert anything between the fan blades while they are rotating.

WARNING: To reduce the risk of personal injury, do not bend the blade arms during assembly or after installation. Do not insert objects into the path of the blades.

WARNING: To avoid personal injury or damage to the fan and other items, be cautious when working around or cleaning the fan.

10. Do not use water or detergents when cleaning the fan or fan blades. A dry dust cloth or lightly dampened cloth will be suitable for most cleaning.

WARNING: To reduce the risk of personal injury, use **only** parts provided with this fan. **The use of parts OTHER than those provided with this fan will void the warranty.**

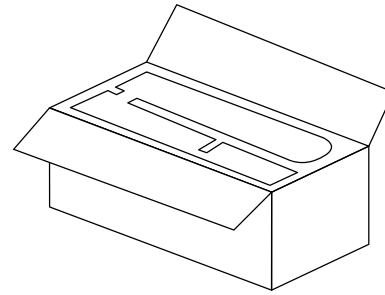
CAUTION: Do NOT tamper with or attempt to repair LED component of fixture. The light source is designed for this specific application and should not be serviced by untrained personnel. If any servicing is required, call our customer service department.

11. Light kit is dimmable to 10% with select dimmers.

NOTE: The important safety precautions and instructions appearing in the manual are not meant to cover all possible conditions and situations that may occur. It must be understood that common sense and caution are necessary factors in the installation and operation of this fan.

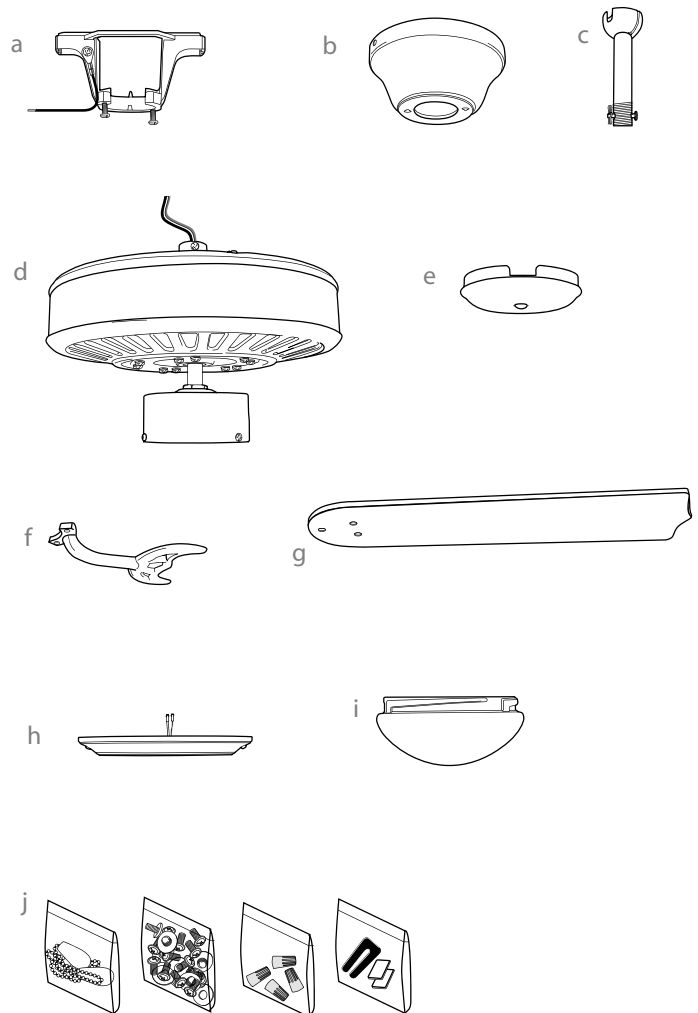
1. Unpacking Your Fan.

Carefully open the packaging. Remove items from Styrofoam inserts. Remove motor housing and place on carpet or Styrofoam to avoid damage to finish. Do not discard fan carton or Styrofoam inserts should this fan need to be returned for repairs. Check against parts inventory that all parts have been included.



2. Parts Inventory.

- a. hanging bracket. 1 piece
- b. canopy. 1 piece
- c. downrod and hanging ball (with pin and clip). 1 piece
- d. motor housing. 1 piece
- e. switch housing cap. 1 piece
- f. blade arm. 5 pieces
- g. blade*. 5 pieces
- h. light kit fitter. 1 piece
- i. glass shade. 1 piece
- j. hardware packs



**Blade drawings in this manual are representative only.*

! **IMPORTANT REMINDER:** You must use the parts provided with this fan for proper installation and safety. **!**

3. Installation Preparation.

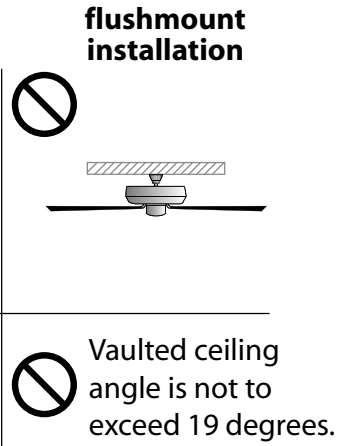
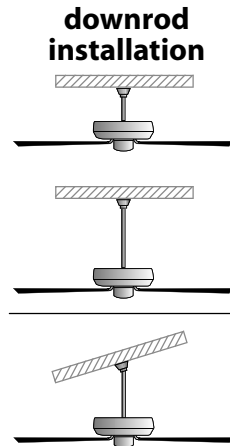
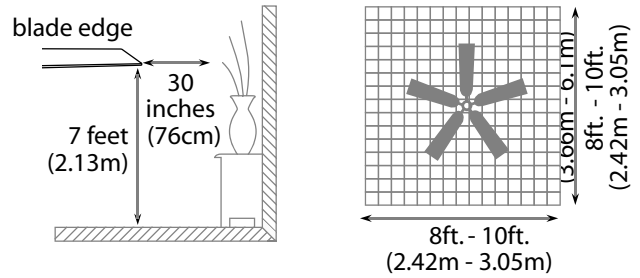
To prevent personal injury and damage, ensure that the hanging location allows the blades a clearance of 7 feet (2.13m) from the floor and 30in. (76cm) from any wall or obstruction.

This fan is suitable for room sizes up to 100 square feet (9.3 square meters).

This fan can be mounted with a **downrod** on a regular (no-slope) or vaulted ceiling. The hanging length can be extended by purchasing a longer downrod (0.5in./1.27cm diameter) than the ones provided. Other installation, such as **flushmount**, is *not* available for this fan.

Installation requires these tools:

Phillips screwdriver, flathead screwdriver, adjustable pliers or wrench, stepladder, wire cutters, and rated electrical tape.



4. Hanging Bracket Installation.

Turn off circuit breakers to current fixture from breaker panel and be sure operating light switch is turned to the OFF position.

WARNING: Failure to disconnect power supply prior to installation may result in serious injury.

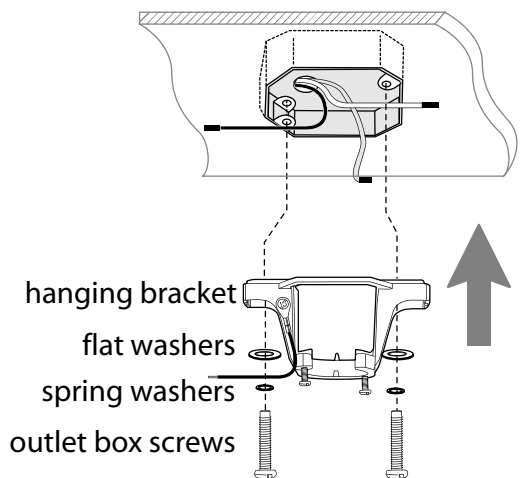
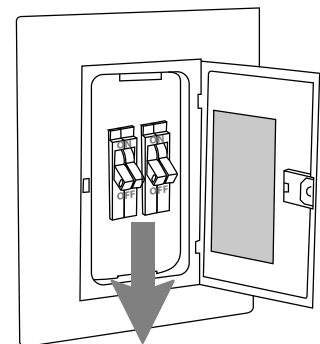
Remove existing fixture.

WARNING: When using an existing outlet box, be sure the outlet box is securely attached to the building structure and can support the full weight of the fan. Ensure outlet box is clearly marked "Suitable for Fan Support." If not, it must be replaced with an approved outlet box. Failure to do so can result in serious injury.

CAUTION: Be sure outlet box is grounded properly and that a ground wire (**GREEN** or bare) is present.

Install hanging bracket to outlet box, using original screws, spring washers and flat washers provided with new or original outlet box.* If installing on a vaulted ceiling, face opening of hanging bracket towards high point of ceiling. Arrange electrical wiring around the back of the hanging bracket and away from the bracket opening.

***Note:** It is very important that you use the proper hardware when installing the hanging bracket as this will support the fan.



5. Fan Assembly.

Remove hanging ball from downrod provided by loosening set screw on hanging ball. Remove pin and clip. Lower hanging ball and remove stop pin. Then slide hanging ball off downrod. [Refer to **diagram 1**.]

Loosen yoke set screws and nut at top of motor housing. [Refer to **diagram 2**.]

Tip: To prepare for threading electrical wires through downrod, apply a small piece of electrical tape to the ends of the electrical wires--this will keep the wires together when threading them through the downrod. [Refer to **diagram 2**.]

Determine the length of downrod you wish to use. Thread safety cable and electrical wires through threaded end of downrod and pull extra wire slack from the upper end of the downrod. [Refer to **diagram 2**.]

Thread downrod into the motor housing yoke until holes for pin and clip in downrod align with holes in yoke--*make sure wires do not get twisted*. Re-insert pin and clip that were previously removed. Tighten yoke set screws and nuts securely. [Refer to **diagram 2**.]

Slide canopy over downrod. [Refer to **diagram 3**.]

Thread safety cable and wires through hanging ball; then slide hanging ball over downrod--the top of the downrod should be noted as having a set screw hole; use this hole when setting the set screw. Insert stop pin into top of downrod and raise hanging ball. Be sure stop pin aligns with slots on the inside of the hanging ball. Tighten set screw securely. [Refer to **diagram 4**.]

WARNING: Failure to tighten set screw (on hanging ball) completely could result in the fan becoming loose and possibly falling.

["Fan Assembly" continued on next page.]

NOTE: The important safety precautions and instructions appearing in the manual are not meant to cover all possible conditions and situations that may occur. It must be understood that common sense and caution are necessary factors in the installation and operation of this fan.

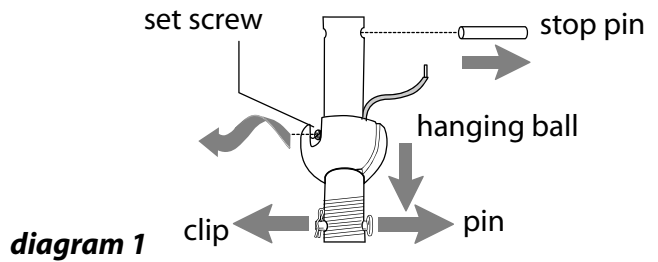


diagram 1

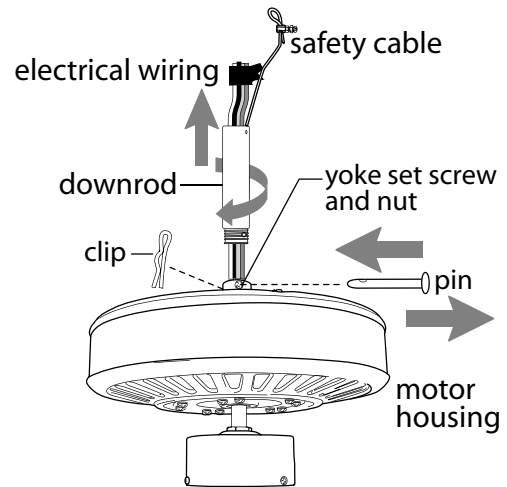


diagram 2

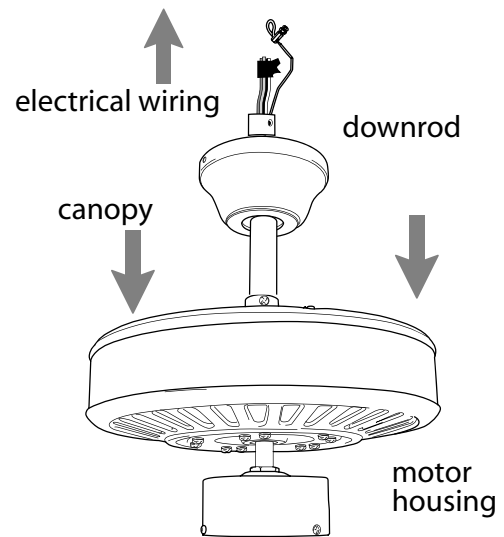


diagram 3

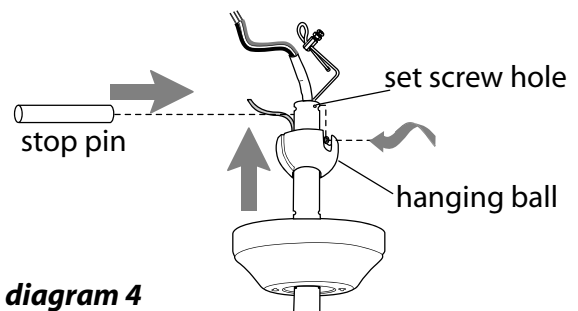


diagram 4

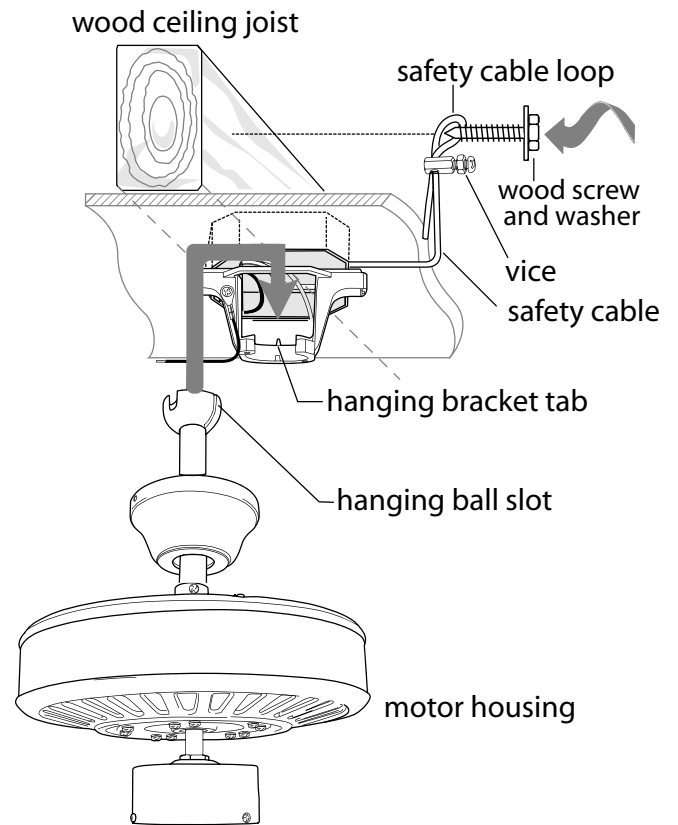
5. Fan Assembly. (cont.)

With the hanging bracket secured to the outlet box and able to support the fan, you are now ready to hang your fan. Grab the fan firmly with two hands. Slide downrod through opening in hanging bracket and let hanging ball rest on the hanging bracket. Turn the hanging ball slot until it lines up with the hanging bracket tab.

WARNING: Failure to align slot in hanging ball with tab in hanging bracket may result in serious injury or death.

Tip: Seek the help of another person to hold the stepladder in place and to help lift the fan up to you once you are set on the ladder.

Find a secure attachment point (wood ceiling joist highly recommended) and secure safety cable. It will be necessary to use a heavy duty wood screw, washer and lock washer (not supplied) with the safety cable loop. Adjust safety cable length by loosening screw and nut on safety cable vice. Adjust slack to a hand's length and tighten nut on vice securely. The loop at the end of the safety cable should just fit over the threads on the wood screw. *Test safety cable by pulling on loose end with pliers.* If cable slips, then vice and nut must be set tighter. Extra cable slack can be left in ceiling area.



6. Wiring.

WARNING: Turn off circuit breakers to current fixture from breaker panel and be sure switch is turned to the OFF position.

CAUTION: Be sure outlet box is properly grounded and that a ground wire (**GREEN** or Bare) is present.

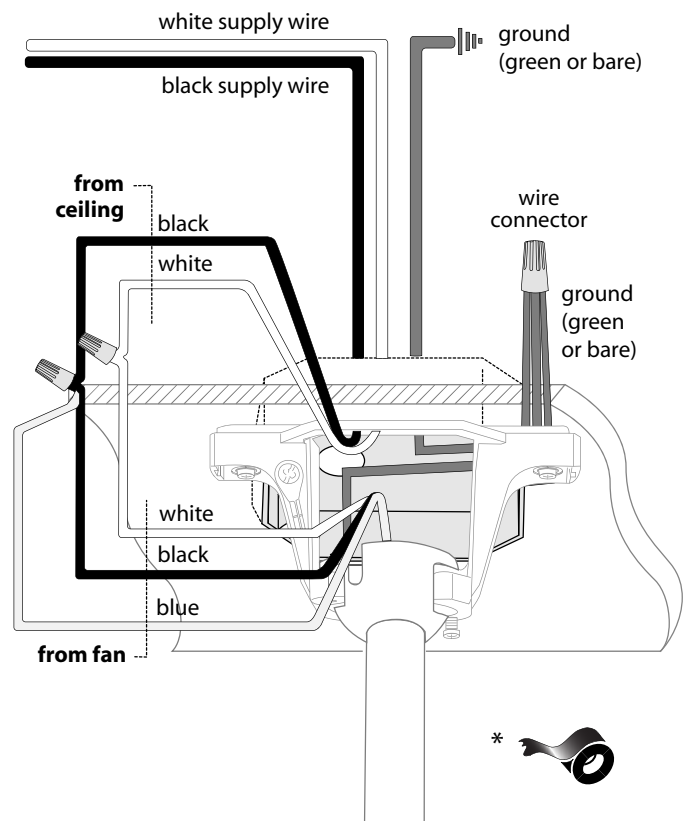
Make sure all electrical connections comply with Local Codes or Ordinances and the National Electrical Code. If you are unfamiliar with electrical wiring or if the house/building wires are different colors than those referred to below, please use a qualified electrician.

Note: Excess lead wire length from the fan can be cut to the desired length and then stripped.

When downrod is secured in place on the hanging bracket, electrical wiring can be made as follows: Connect **BLACK** and **BLUE** wires from fan to **BLACK** wire from ceiling with wire connector provided. Connect **WHITE** wire from fan to **WHITE** wire from ceiling with wire connector provided. Connect all **GROUND (GREEN)** wires together from fan to **BARE/GREEN** wire from ceiling with wire connector provided.

If you intend to control the fan light with a separate light switch, connect **BLUE** wire from fan to the **BLACK** (or **RED**) supply from the independent switch.

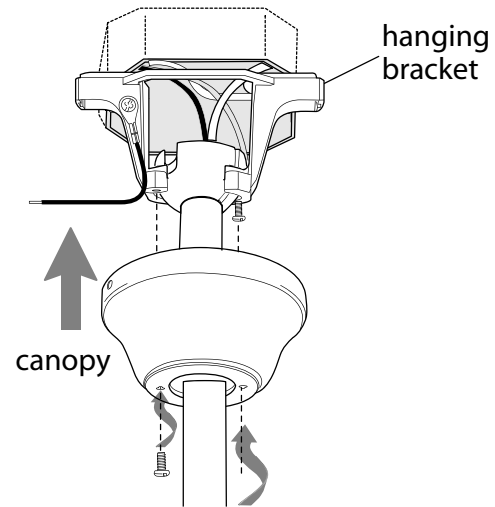
* Wrap each wire connector separately with electrical tape as an extra safety measure.



This fan is remote control adaptable (remote control sold separately).

7. Canopy Assembly.

Locate 2 screws on underside of hanging bracket and remove screw closest to the open end of the hanging bracket. Partially loosen the other screw. Lift canopy to hanging bracket. Place rounded part of slotted hole in canopy over loosened screw in hanging bracket and push up. Twist canopy to lock. Re-insert screw that was removed and then tighten both screws securely.



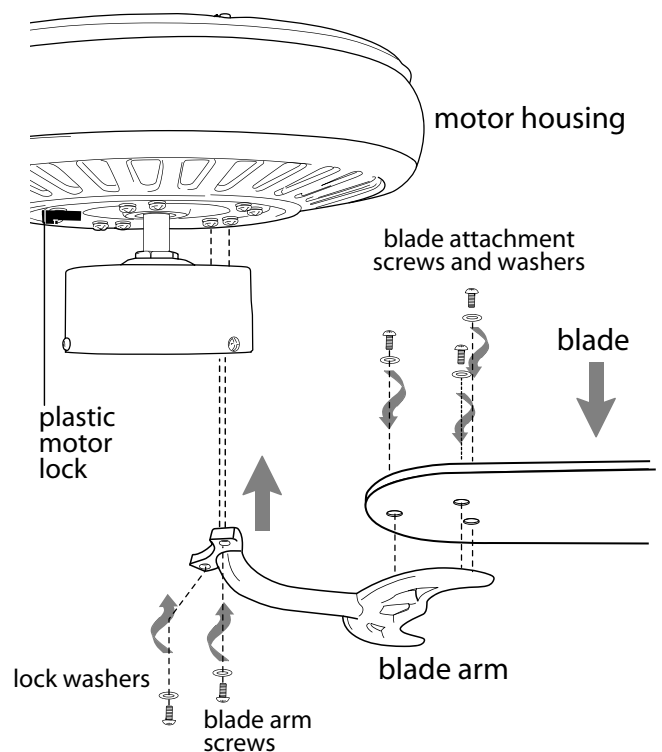
8. Blade Assembly.

Time Saver: Washers for blade screws can be set on each blade screw prior to installing blades.

Locate 15 blade attachment screws and washers in hardware pack. Hold blade arm up to blade and align holes. Insert 3 blade attachment screws (along with washers) with fingers first and then tighten screws securely with a Phillips screwdriver. Repeat for the remaining blades.

Remove blade arm screws and lock washers from underside of motor. If plastic motor locks are installed with blade arm screws, discard plastic motor locks (*save blade arm screws and lock washers to secure blade arms*). Align blade arm holes with motor screw holes and attach blade arm with lock washers and blade arm screws. Before securing screws permanently, repeat with remaining blade arms. Securely tighten all screws.

Note: Tighten blade arm screws twice a year.



9. Light Kit Assembly (Optional).

Remove 3 screws from switch housing cap.

If you wish to use your fan WITHOUT the light kit, align holes in switch housing cap with holes in switch housing. (Note: The gap on the top edge of the switch housing cap must align with the reverse switch on the switch housing for the proper fit.) Secure switch housing cap with 3 screws that were just removed. Please proceed to Section 10 to complete installation without light kit.

If you wish to use your fan WITH the light kit, locate **BLACK** (or **BLUE**) and **WHITE** wires in switch housing labeled LIGHT. Remove and discard plastic that holds these 2 wires together.

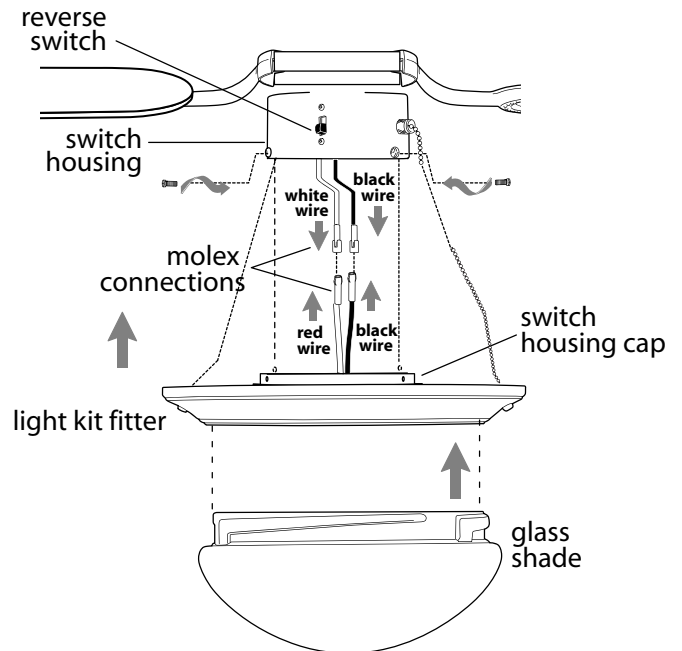
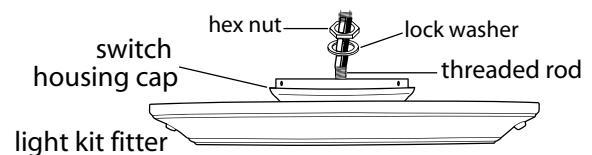
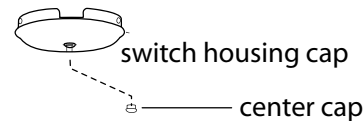
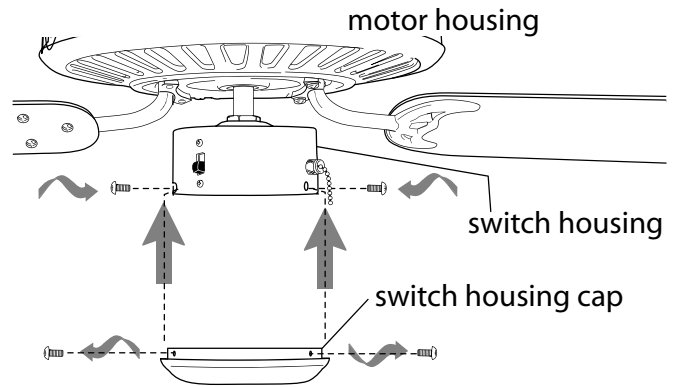
Remove the hex nut and lock washer from threaded rod in light kit fitter. Punch center cap out of switch housing cap with a screwdriver. Feed wires from light kit fitter through center hole in switch housing cap. Screw switch housing cap onto threaded rod on light kit fitter followed by lock washer and hex nut. Tighten hex nut over lock washer for a secure fit.

Connect **BLACK** (or **BLUE**) wire from switch housing to **BLACK** wire from light kit fitter. Connect **WHITE** wire from switch housing to **RED** wire from light kit fitter. Be sure that molex connections snap together securely.

Thread pull chain labeled FAN in switch housing through corresponding hole labeled FAN in light kit fitter. Thread pull chain labeled LIGHT in switch housing through corresponding hole labeled LIGHT in light kit fitter.

Carefully arrange wiring within the switch housing cap. Align holes in switch housing cap with holes in switch housing. (Note: The gap on the top edge of the switch housing cap must align with the reverse switch on the switch housing for the proper fit.) Re-insert screws that were previously removed and tighten all 3 screws securely with a Phillips screwdriver.

To attach glass shade, align grooves on glass shade with nodules on inside of light kit fitter and push up gently on glass shade. Then, turn glass shade to the RIGHT (clockwise) until it no longer turns. **NOTE:** Pull down *VERY GENTLY* on glass shade to make sure that glass shade is secure.



*NOTE: This equipment has been tested and found to comply with the limits for a Class B digital device, pursuant to Part 15 of the FCC Rules. These limits are designed to provide reasonable protection against harmful interference in a residential installation. This equipment generates, uses and can radiate radio frequency energy and, if not installed and used in accordance with the instructions, may cause harmful interference to radio communications. However, there is no guarantee that interference will not occur in a particular installation. If this equipment does cause harmful interference to radio or television reception, which can be determined by turning the equipment off and on, the user is encouraged to try to correct the interference by one or more of the following measures:

- * Reorient or relocate the receiving antenna.
- * Increase the separation between the equipment and receiver.
- * Connect the equipment into an outlet on a circuit different from that to which the receiver is connected.

Consult the dealer or an experienced radio/TV technician for help.

10. Testing Your Fan.

It is recommended that you test your fan before finalizing installation. Restore power from circuit box and light switch (if applicable). Test fan speeds with the pull chain labeled FAN. Start at the OFF position (no blade movement). First pull will set the fan to HI. Second pull will set the fan to MEDIUM. Third pull will set the fan to LOW. Fourth pull will again set the fan to the OFF setting. Test light with the pull chain labeled LIGHT. (**diagram 1**) If fan and/or light do (does) not function, please refer to "Troubleshooting" section to solve any issues before contacting Customer Service.

Turn fan completely off *before* moving the reverse switch. Set reverse switch to recirculate air depending on the season:

- DOWN position in summer (**diagram 2**)
- UP position in winter (**diagram 3**)

A ceiling fan will allow you to raise your thermostat setting in summer and lower your thermostat setting in winter without feeling a difference in your comfort.

IMPORTANT: Reverse switch must be set either *completely DOWN* or *completely UP* for fan to function. If the reverse switch is set in the *middle* position (**diagram 4**), fan will not operate.

Attach pull chain extensions supplied or custom pull chain extensions (sold separately) to ends of the pull chains.

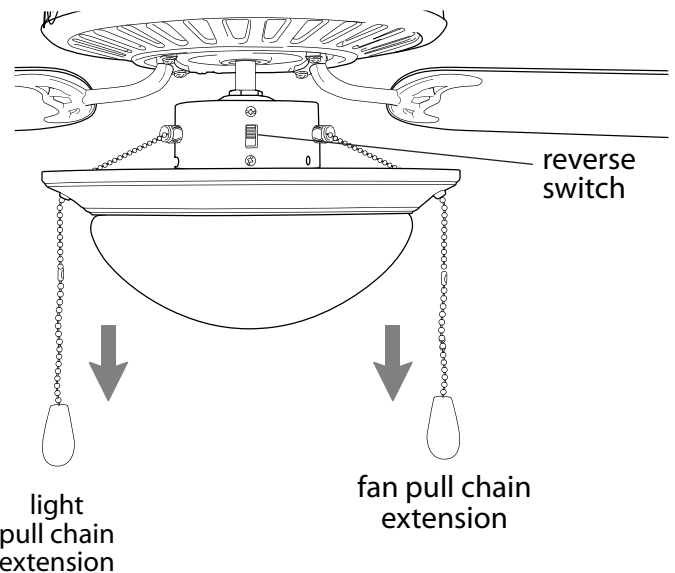


diagram 1

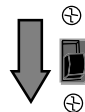


diagram 2

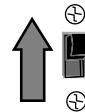


diagram 3



diagram 4

Troubleshooting.

WARNING: Failure to disconnect power supply prior to troubleshooting any wiring issues may result in serious injury.

Problem: Fan fails to operate.

Solutions:

1. Check power to wall switch.
2. Verify that reverse switch is set completely in either direction.
3. Check to be sure fan is wired properly.

Problem: Light kit (optional) not lighting.

Solutions:

1. Check wall switch to fan.
2. Check that wires in canopy are wired properly.
3. Verify that mox connections are connected properly in light kit fitter.

Problem: Fan operates but light fails.

Solutions:

1. Check to be sure wires in canopy are wired properly.
2. Verify that mox connections are connected properly in light kit fitter.

Problem: Fan wobbles.

Solutions:

1. Use the balancing kit provided in one of the hardware packs. *If no blade balancing kit is provided, please call Customer Support, at 1-800-486-4892, to request one.*
2. Check to be sure set screw(s) on motor housing yoke is (are) tightened securely.
3. Check to be sure set screw on hanging ball is tightened securely.

Parts Replacement.

For parts and information, please refer to "Parts Inventory" on page 2.

Craftmade Customer Support:

1-800-486-4892

www.craftmade.com

Warranty.

CRAFTMADE LIFETIME WARRANTY:

CRAFTMADE warrants this fan to the original household purchaser for indoor use under the following provisions:
1-YEAR WARRANTY: CRAFTMADE will replace or repair any fan which has faulty performance due to a defect in material or workmanship. Contact Craftmade Customer Service at **1-800-486-4892** to arrange for return of fan. Return fan, shipping prepaid, to Craftmade. We will repair or ship you a replacement fan, and we will pay the return shipping cost.

5-YEAR WARRANTY: CRAFTMADE will repair or replace, at no charge to the original purchaser, any fan motor that fails to operate satisfactorily when failure results from normal use.

RETURN FAN MOTOR ONLY, shipping prepaid, to Craftmade Industries. We will repair or ship purchaser a replacement motor and Craftmade will pay the return shipping cost.

6-YEAR to LIFETIME LIMITED WARRANTY: CRAFTMADE will repair the fan, at no charge for labor only to the original purchaser, if the fan motor fails to operate satisfactorily when failure results from normal use. Parts used in the repair will be billed to the purchaser at prevailing prices at time of repair.

The purchaser shall be responsible for all costs incurred in the removal, reinstallation and shipping of the product for repairs.

This warranty does not apply when damage from mechanical, physical, electrical or water abuse results in causing the malfunction. Deterioration of finishes or other parts due to time or exposure to salt air is specifically exempted under this warranty.

Neither Craftmade nor the manufacturer will assume any liability resulting from improper installation or use of this product. In no case shall the company be liable for any consequential damages for breach of this, or any other warranty expressed or implied whatsoever. This limitation as to consequential damages shall not apply in states where prohibited.

CRAFTMADE

CRAFTMADE

LEER ESTAS INSTRUCCIONES Y
GUARDARLAS PARA UTILIZACION FUTURA



Pro Energy Saver 209

Guía de instalación

Para modelo:
CES209

Índice de materias:

- Sugerencias de seguridad. Pág. 1
- Desempaquetado del ventilador. Pág. 2
- Inventario de piezas. Pág. 2
- Preparación para la instalación. Pág. 3
- Instalación del soporte de montaje. Pág. 3
- Ensamblaje del ventilador. Págs. 4 - 5
- Instalación eléctrica. Pág. 5
- Colocación de la cubierta decorativa. Pág. 6
- Colocación de las aspas*. Pág. 6
- Instalación del juego de luz. Pág. 7
- Verificación del funcionamiento del ventilador. Pág. 8
- Localización de fallas. Pág. 9
- Piezas de repuesto. Pág. 9
- Garantía. Pág. 9

*a la venta por separado



Intertek
4007498

peso neto del ventilador: 5,6 kg (12,35 lb)

IMPRESO EN CHINA

SUGERENCIAS DE SEGURIDAD.

ADVERTENCIA: Para evitar la posibilidad de una descarga eléctrica, desconectar la corriente en la caja de fusibles principal o el interruptor protector antes de iniciar la instalación del ventilador o antes de repararlo o instalar accesorios.

1. **LEER TODAS LAS INSTRUCCIONES E INFORMACIÓN DE SEGURIDAD CUIDADOSAMENTE ANTES DE INSTALAR SU VENTILADOR Y GUARDAR ESTAS INSTRUCCIONES.**

PRECAUCIÓN: Para reducir el riesgo de daño corporal, es posible que sea necesario usar guantes al manejar las piezas del ventilador que tengan bordes afilados.

2. Asegurarse de que todas las conexiones eléctricas cumplan con los Códigos o las Ordenanzas Locales, el Código Nacional Eléctrico, y ANSI/NFPA 70-1999. Si usted no está familiarizado con el alambrado eléctrico o los cables de la casa/el edificio son de colores diferentes a los cuales se refieren en las instrucciones, favor de buscar un electricista calificado.
3. Asegurarse de que haya localizado una ubicación para su ventilador que permite el espacio necesario para el ventilador y por lo menos 3,05 metros (10 pies) de espacio libre entre el piso y la caja protectora del ventilador. Debe instalar el ventilador para que los bordes de la caja protectora del ventilador queden a una distancia de por lo menos 76 centímetros (30 pulgadas) de las paredes y otras estructuras verticales.
4. La caja de salida eléctrica debe estar bien sujeta a la viga de soporte del techo y deben ser capaces de sostener por lo menos 16 kilogramos (35 libras). La caja debe tener apoyo directo de la estructura del edificio. Sólo usar cajas de salida registradas con CETL o CUL en Canadá o ETL o UL en EEUU que indiquen que "sirven para ventilador" ("FOR FAN SUPPORT" en inglés).

ADVERTENCIA: Para reducir el riesgo de incendio, descarga eléctrica o daño corporal, instalar en la caja de salida marcada "Aceptable para sostener ventilador de 15,9 kg (35 lb) o menos" ["Acceptable for Fan Support of 15.9 kg (35 lb) or less"] y utilizar los tornillos proporcionados con la caja de salida. La mayoría de las cajas de salida que se usan normalmente para sostener los aparatos de alumbrado no siempre son apropiadas para sostener ventiladores y es posible que las tenga que reemplazar. En caso de duda, consultar con un electricista calificado.

ADVERTENCIA: Para reducir el riesgo de incendio, descarga eléctrica o daño corporal, los conectores para cable provistos con este ventilador son diseñados para aceptar sólo un cable de calibre 12 de la casa y dos cables principales del ventilador. Si el calibre del cable de la casa es superior al 12 o hay más de un cable de la casa para conectar a los cables principales del ventilador al cual corresponda cada uno, consultar con un electricista para informarse sobre el tamaño correcto de conectores para cable que se debe usar.

5. Los diagramas eléctricos son únicamente para referencia.
6. Después de haber terminado la instalación, asegurarse de que todas las conexiones estén totalmente seguras.
7. Después de haber terminado todas las conexiones eléctricas, los conductores empalmados deben ser volteados para arriba y colocados cuidadosamente dentro de la caja de salida. Los alambres se deben de separar con el conductor a tierra a un lado y el conductor a tierra del equipo al lado opuesto.

ADVERTENCIA: Para reducir el riesgo de incendio o un choque eléctrico, no usar el ventilador con ningún control de velocidad de estado sólido ni controlar la velocidad del ventilador con un interruptor con reductor de luz de gama completa. [El usar un interruptor con reductor de luz de gama completa para controlar la velocidad del ventilador causará un zumbido recio del ventilador.] (**Nota:** Este ventilador *sí* sirve para usar con control remoto.)

8. No utilizar el interruptor de reversa hasta que el ventilador se haya parado completamente.
9. No insertar ningún objeto entre las aspas mientras estén rotando.

ADVERTENCIA: Para reducir el riesgo de daño corporal, no doblar ni alterar la caja del ventilador durante el ensamblaje ni durante la instalación. No insertar objetos entre las aspas mientras estén rotando.

ADVERTENCIA: Para reducir el riesgo de daño corporal o algún daño al ventilador, tener cuidado al estar trabajando alrededor del ventilador o limpiándolo.

10. No utilizar agua ni detergentes para limpiar el ventilador ni las aspas. Usar un trapo seco o ligeramente húmedo para su limpieza general.

ADVERTENCIA: Para reducir el riesgo de daño corporal, usar **sólo** las piezas provistas con este ventilador. **Al usar piezas DISTINTAS a las provistas con este ventilador se invalidará la garantía.**

PRECAUCIÓN: NO manipular ni intentar reparar el componente LED de la lámpara. La fuente de luz está diseñada para esta aplicación específica y el mantenimiento no debe estar a cargo de personal sin capacitación. Si necesita algún tipo de mantenimiento, llamar a nuestro departamento de Servicio al cliente.

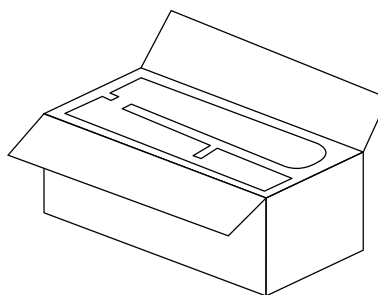
11. El juego de luz LED se puede regular al 10% con reguladores seleccionados.

NOTA: No se debe concluir que las precauciones de seguridad importantes e instrucciones en este manual van a abarcar todas las condiciones y situaciones posibles que puedan ocurrir. Se debe entender que el sentido común y la precaución son factores necesarios en la instalación y la operación de este ventilador.

1. Desempaquetado del ventilador.

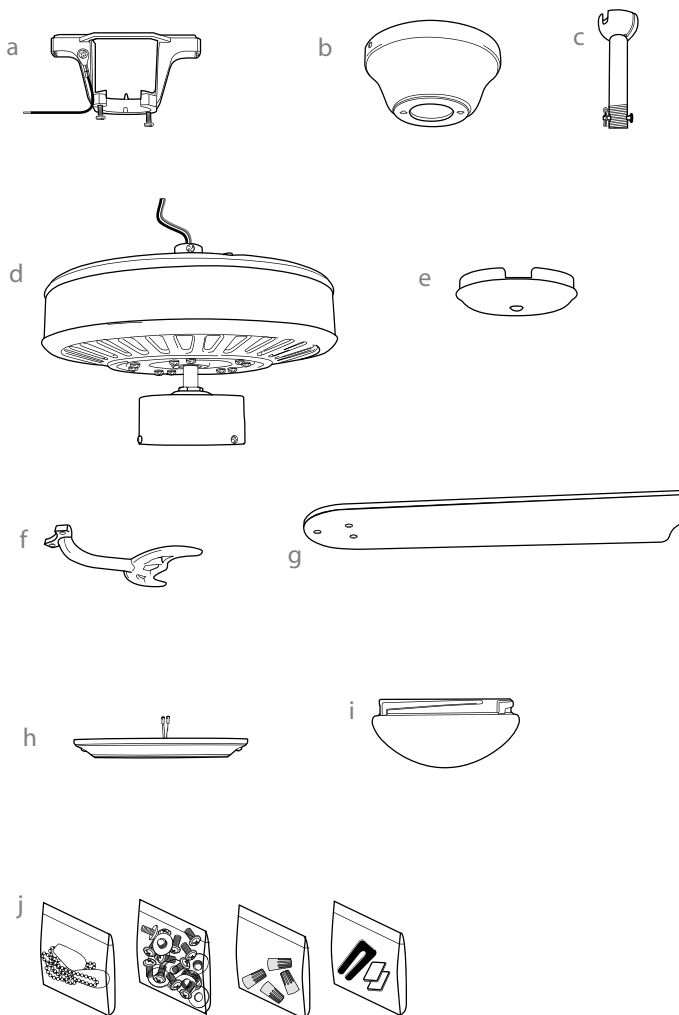
Abrir el empaque cuidadosamente. Sacar los artículos del embalaje. Sacar el motor y ponerlo en una alfombra o en el embalaje para evitar rayar el acabado. Guardar la caja de cartón o el empaquetamiento original en caso de que tenga que mandar el ventilador para alguna reparación.

Comprobar las piezas del ventilador con el inventario de piezas y verificar que se incluyeron todas.



2. Inventario de piezas.

- a.** soporte de montaje. 1 unidad
- b.** cubierta decorativa. 1 unidad
- c.** tubo y bola que sirve para colgar (con perno y clavija). 1 unidad
- d.** bastidor del motor. 1 unidad
- e.** cubierta de la caja de encendido. 1 unidad
- f.** brazo para el aspa. 5 unidades
- g.** aspa*. 5 unidades
- h.** conector para el juego de luz. 1 unidad
- i.** pantalla de vidrio. 1 unidad
- j.** paquetes de artículos de ferretería

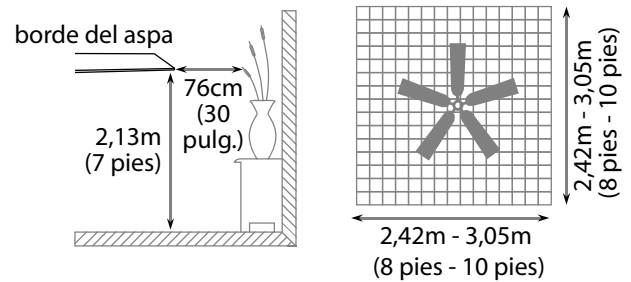


**Los dibujos del aspa en este manual son solamente representativos.*

! RECORDATORIO IMPORTANTE:
Se tienen que utilizar las piezas provistas con este ventilador para una instalación adecuada y su seguridad. **!**

3. Preparación para la instalación.

Para prevenir daño corporal y otros daños, estar seguro de que el lugar en donde va a colgar el ventilador le permite un espacio libre de 2,13m (7 pies) entre las puntas de las aspas y el piso y 76cm (30 pulg.) entre las aspas y cualquier pared u otra obstrucción. Este ventilador es adecuado para habitaciones hasta 9,3 metros cuadrados (100 pies cuadrados).

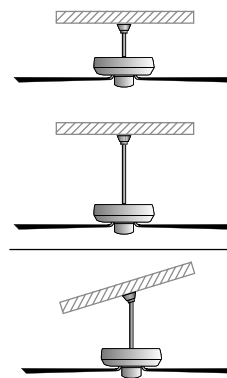


Se puede colgar este ventilador **con tubo** en un techo regular (sin inclinación) o abovedado. La longitud colgante se puede extender comprando un tubo más largo (con diámetro de 1,27cm/0,5 pulg.) de los que se le proveyeron. *No* hay ningún otro tipo de instalación, como **al ras con el techo**, disponible para este ventilador.

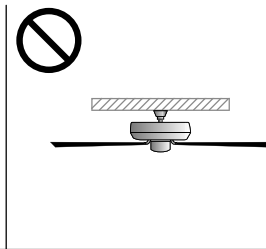
Se necesitan las herramientas siguientes para la instalación:

Destornillador de estrella Phillips, destornillador de paleta (plano), alicates ajustables o llave de tuercas, escalera de tijera, cortaalambres y cinta aisladora.

instalación con tubo



instalación al ras con el techo



El ángulo de inclinación de un techo abovedado no debe exceder los 19 grados.

4. Instalación del soporte de montaje.

Apagar los cortacircuitos en el panel de electricidad que suplen corriente a la caja de salida y asegurarse de que el interruptor de luz esté APAGADO.

ADVERTENCIA: El no desconectar el suministro de fuerza antes de la instalación puede tener por resultado lesiones graves.

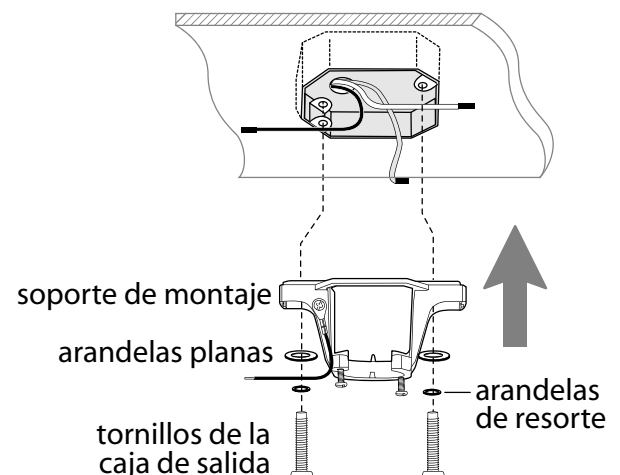
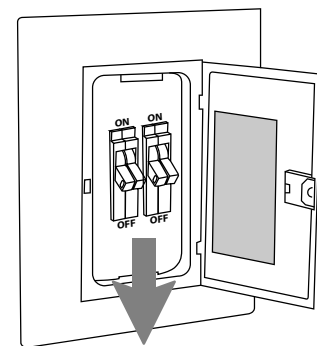
Quitar el aparato existente.

ADVERTENCIA: Si utiliza una caja de salida existente, asegurarse de que la caja de salida esté firmemente conectada a la estructura del edificio y que sea capaz de sostener el peso total del ventilador. Asegurarse de que la caja de salida indique claramente que "Sirve para ventilador" (FOR FAN SUPPORT); si no, se debe reemplazar con una caja de salida aprobada. El no hacer el cambio si es necesario puede resultar en lesiones graves.

PRECAUCIÓN: Asegurarse de que la caja de salida esté conectada a tierra correctamente y que haya un conductor a tierra (VERDE o pelado).

Instalar el soporte de montaje utilizando los tornillos originales, las arandelas de resorte y las arandelas planas de su nueva o existente caja de salida.* Si hace la instalación en un techo abovedado, colocar el soporte de montaje con la abertura dirigida hacia la parte alta del techo. Arreglar el alambrado eléctrico (los cables) en la parte de atrás del soporte y lejos de la abertura del soporte.

*Nota: Es muy importante usar los artículos de ferretería correctos al instalar el soporte de montaje puesto que sirve para sostener el ventilador.



5. Ensamblaje del ventilador.

Quitar la bola que sirve para colgar del tubo provisto aflojando el tornillo de fijación de la bola que sirve para colgar. Quitar el perno y la clavija. Bajar la bola que sirve para colgar y sacar el perno de tope y luego quitar la bola que sirve para colgar deslizando.

[Referirse al **diagrama 1**.]

Aflojar los tornillos de fijación del cuello y la tuerca en la parte superior del bastidor del motor. [Referirse al **diagrama 2**.]

Sugerencia: Para preparar los cables para pasarlos por el tubo, poner un pedacito de cinta aisladora en la punta de los cables--esto mantendrá los cables juntos al pasarlos por el tubo. [Referirse al **diagrama 2**.]

Determinar el largo del tubo que desea usar. Pasar los cables del ventilador y el cable de seguridad a través del extremo del tubo que tenga rosca y, con cuidado, jalar el cableado en exceso por la parte de arriba del tubo. [Referirse al **diagrama 2**.]

Enroscar el tubo en el cuello del bastidor del motor hasta alinearse los agujeros para el perno y la clavija en el tubo con los del cuello—asegurarse de que no se tuerzan los cables. Volver a introducir el perno y la clavija que se quitaron anteriormente. Apretar los tornillos de fijación del cuello y la tuerca completamente. [Referirse al **diagrama 2**.]

Deslizar la cubierta decorativa por el tubo. [Referirse al **diagrama 3**.]

Pasar los cables y el cable de seguridad por la bola que sirve para colgar; luego deslizar la bola que sirve para colgar sobre el tubo--la parte de arriba del tubo debe tener el agujero para el tornillo de fijación en ese extremo; usar ese agujero al colocar el tornillo de fijación. Introducir el perno de tope en la parte de arriba del tubo y subir la bola que sirve para colgar. Asegurarse de que el perno de tope se ponga en línea con las ranuras dentro de la bola que sirve para colgar. Apretar bien el tornillo de fijación. [Referirse al **diagrama 4**.]

ADVERTENCIA: Si no se aprieta bien el tornillo de fijación (en la bola que sirve para colgar) es posible que se afloje el ventilador y que se caiga.

[El "Ensamblaje del ventilador" continúa en la página siguiente.]

NOTA: No se debe concluir que las precauciones de seguridad importantes e instrucciones en este manual van a abarcar todas las condiciones y situaciones posibles que puedan ocurrir. Se debe entender que el sentido común y la precaución son factores necesarios en la instalación y la operación de este ventilador.

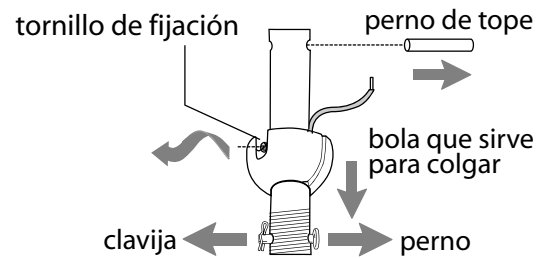


diagrama 1

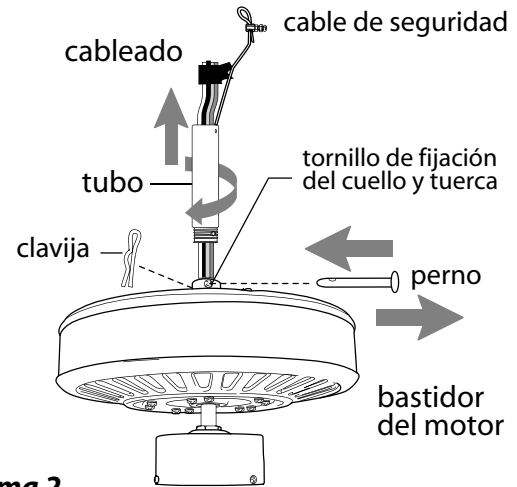


diagrama 2

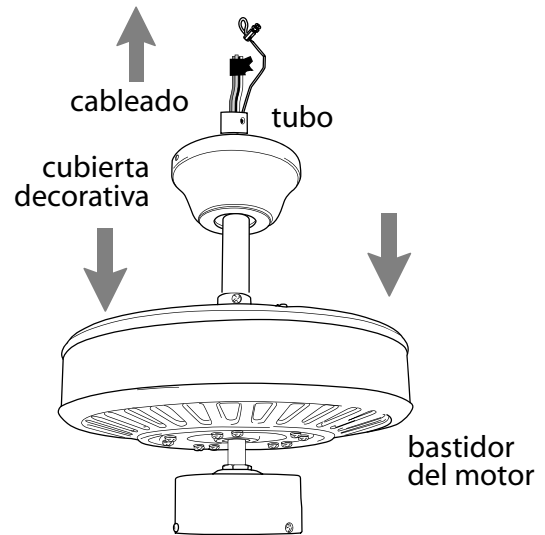


diagrama 3

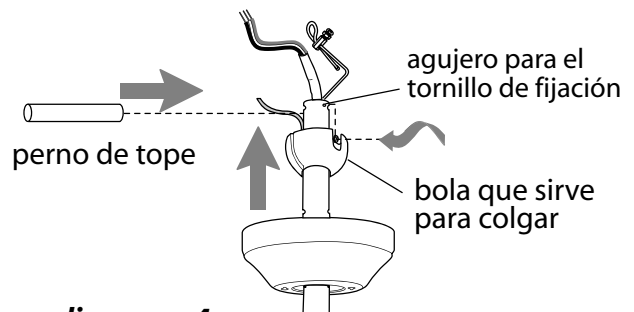


diagrama 4

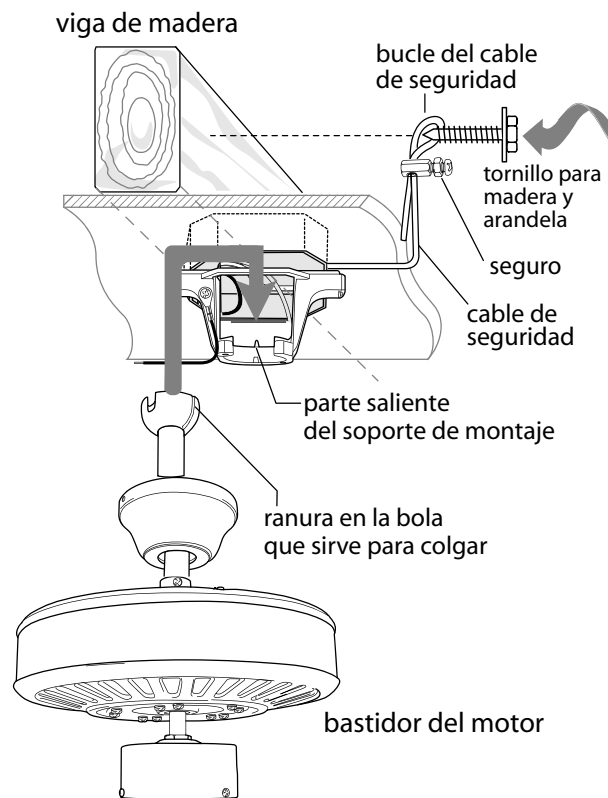
5. Ensamblaje del ventilador. (cont.)

Ya que esté sujetado el soporte de montaje a la caja de salida y capaz de apoyar el ventilador, usted está listo para colgar el ventilador. Agarrar el ventilador firmemente con las dos manos. Deslizar el tubo por la abertura del soporte de montaje y dejar que se detenga la bola que sirve para colgar en el soporte de montaje. Girar la bola que sirve para colgar hasta que la ranura de la bola que sirve para colgar se alinee con la parte saliente del soporte de montaje.

ADVERTENCIA: El no alinear la ranura en la bola que sirve para colgar con la parte saliente del soporte de montaje puede causar lesiones graves o la muerte.

Sugerencia: Solicitar ayuda de otra persona para mantener la escalera sujeta y para que le suba el ventilador cuando usted ya esté preparado en la escalera para colgarlo.

Encontrar un punto de acoplamiento seguro (se recomienda la viga de madera en el techo) y asegurar el cable de seguridad. Utilizar tornillo para madera para trabajos pesados, arandela y arandela de seguridad (no provistos) en el bucle del cable de seguridad. Ajustar el largo del cable de seguridad aflojando el tornillo y la tuerca del seguro del cable. Ajustar la parte floja del cable de seguridad para que mida como el largo de una mano. Apretar bien el tornillo y la tuerca del seguro del cable. El bucle del cable debe ser de tal tamaño que pase justo sobre la punta de la parte roscada del tornillo para madera. *Poner el cable a prueba, jalando con un alicate la parte suelta en la punta del cable. Si el cable se desliza o se reduce el bucle del cable por donde pasa el tornillo, hay que apretar el tornillo y la tuerca del seguro del cable nuevamente. Se puede poner el cable en exceso en el área del techo.*



6. Instalación eléctrica.

ADVERTENCIA: Apagar los cortacircuitos en el panel de electricidad que suplen corriente a la caja de salida y asegurarse de que el interruptor de luz esté APAGADO.

PRECAUCIÓN: Asegurarse de que la caja de salida esté conectada a tierra como es debido y que exista un conductor a tierra (**VERDE** o **pelado**).

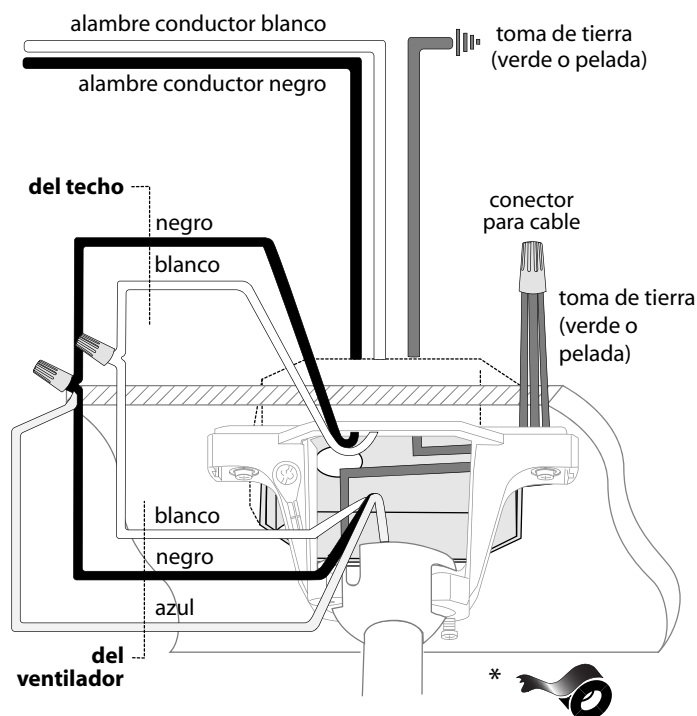
Asegurarse de que toda conexión eléctrica cumpla con los Códigos o las Ordenanzas Locales y el Código Nacional Eléctrico. Si usted no está familiarizado con la instalación eléctrica o los cables de la casa/el edificio son de colores diferentes a los cuales se refieren a continuación, favor de buscar un electricista calificado.

Nota: Si la longitud del alambrado que sale del ventilador es demasiado, se puede cortarlo al largo deseado y luego pelarlo.

Una vez que el ventilador esté bien sujeto en el soporte de montaje, se puede hacer la instalación eléctrica como sigue:

Conectar los cables **NEGRO** y **AZUL** del ventilador al cable **NEGRO** del techo con un conector para cable provisto.
Conectar el cable **BLANCO** del ventilador al cable **BLANCO** del techo con un conector para cable provisto.
Conectar todos los **CONDUCTORES A TIERRA (VERDES)** del ventilador a los **PELADOS/VERDES** del techo con un conector para cable provisto.

Si usted piensa controlar la luz del ventilador con un interruptor distinto, conectar el cable **AZUL** del ventilador al conductor **NEGRO** (o **ROJO**) que corresponde al interruptor independiente.

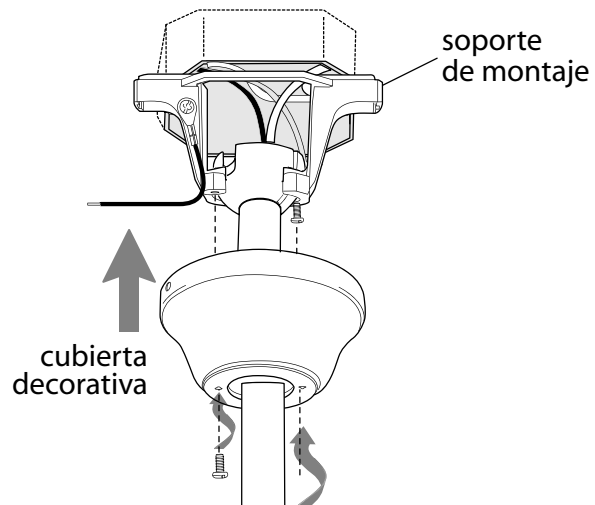


* Como una medida de seguridad adicional, envolver cada conector para cable por separado con cinta aisladora.

Este ventilador es adaptable para usar con control remoto (a la venta por separado).

7. Colocación de la cubierta decorativa.

Localizar los 2 tornillos en la parte inferior del soporte de montaje y quitar el tornillo que está localizado más cerca del extremo abierto del soporte de montaje. Aflojar parcialmente el otro tornillo. Elevar la cubierta decorativa hasta el soporte de montaje. Poner la parte redondeada del agujero con ranura en la cubierta decorativa encima del tornillo aflojado en el soporte de montaje y empujar hacia arriba. Girar la cubierta decorativa para cerrarla. Volver a introducir el tornillo que se quitó, y luego apretar bien ambos tornillos.



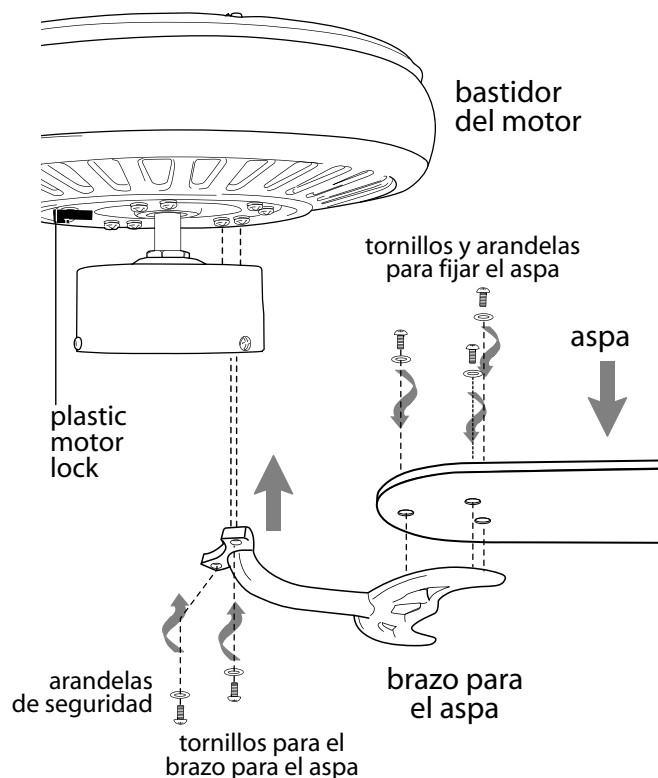
8. Colocación de las aspas.

Para ahorrar tiempo: Se pueden poner las arandelas en los tornillos que son para las aspas antes de colocar las aspas.

Localizar 15 tornillos para fijar las aspas y arandelas en uno de los paquetes de artículos de ferretería. Tomar uno de los brazos para las aspas y juntarlo con una de las aspas para alinear los agujeros. Introducir 3 tornillos para fijar las aspas (junto con las arandelas) con los dedos primero y luego apretarlos bien con un destornillador de estrella Phillips. Repetir el procedimiento con las demás aspas.

Sacar los tornillos para los brazos para el aspa y las arandelas de seguridad del lado inferior del motor. Si se han instalado soportes de plástico con los tornillos para el brazo para el aspa, desechar los soportes de plástico (*guardar los tornillos para el brazo para el aspa y las arandelas de seguridad para asegurar los brazos para el aspa*). Alinear los agujeros de uno de los brazos para las aspas con los agujeros para los tornillos en el motor y fijar el brazo para el aspa con arandelas de seguridad y tornillos para el brazo para el aspa. Antes de apretar los tornillos bien, repetir el mismo procedimiento con los demás brazos para las aspas. Apretar bien todos los tornillos.

Nota: Apretar los tornillos para los brazos para las aspas dos veces al año.



9. Instalación del juego de luz (opcional).

Quitar los 3 tornillos de la cubierta de la caja de encendido.

Si desea utilizar el ventilador SIN el juego de luz, alinear los agujeros en la cubierta de la caja de encendido con los agujeros en la caja de encendido. (**Nota:** La abertura en el borde superior de la cubierta de la caja de encendido debe alinearse con el interruptor de reversa en la caja de encendido para que se ajuste bien). Asegurar la cubierta de la caja de encendido con los 3 tornillos que apenas se quitaron. *Favor de pasar a la sección 10 para terminar la instalación SIN el juego de luz.*

Si desea utilizar el ventilador CON el juego de luz, localizar los cables **NEGRO** (o **AZUL**) y **BLANCO** en la caja de encendido con la etiqueta "LUZ" (LIGHT en inglés). Quitar y tirar el plástico que liga los 2 cables.

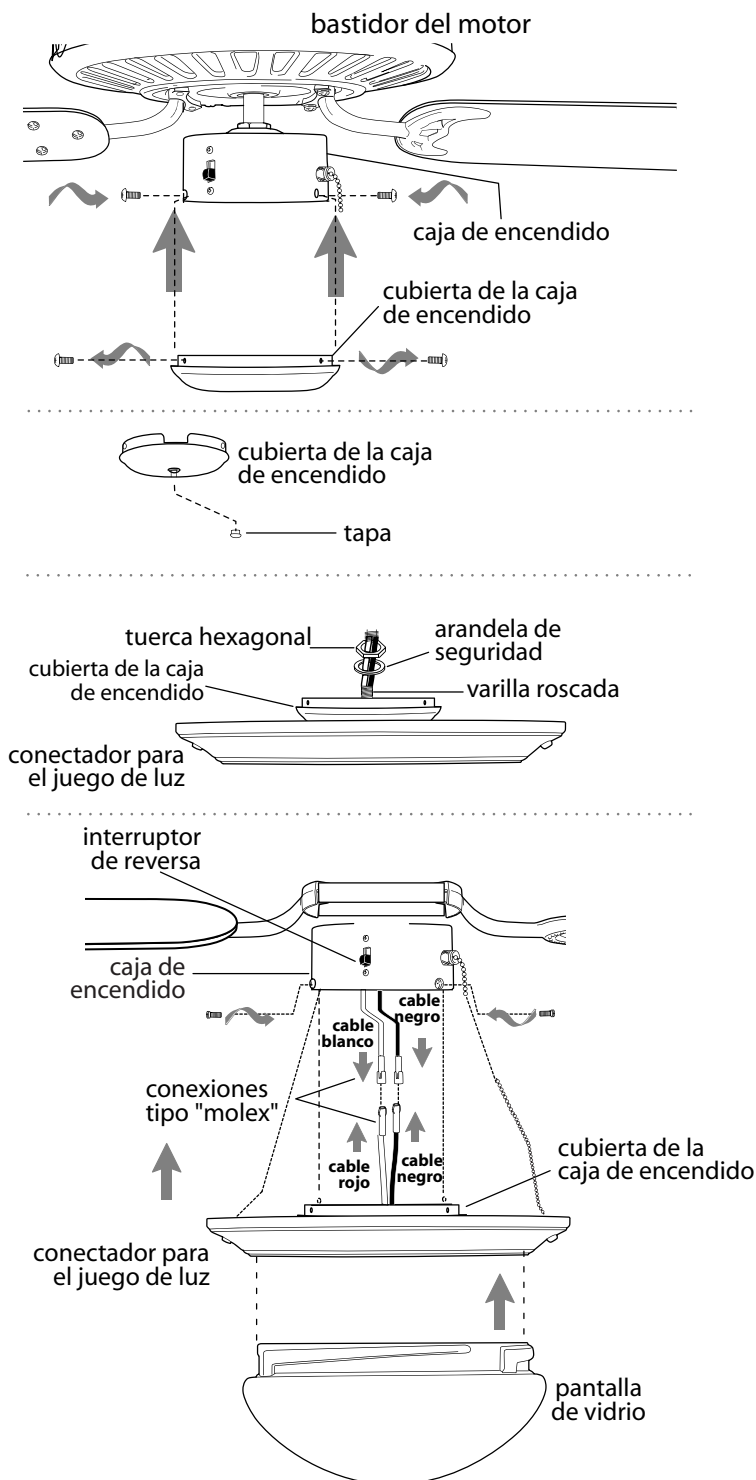
Quitar la tuerca hexagonal y la arandela de seguridad de la varilla roscada del conector para el juego de luz. Golpear con un destornillador el centro de la cubierta de la caja de encendido hasta que se caiga la tapa. Pasar los cables del conector para el juego de luz por el agujero en el centro de la cubierta de la caja de encendido. Atornillar la cubierta de la caja de encendido en la varilla roscada y luego colocar la arandela de seguridad y la tuerca hexagonal que se habían quitado anteriormente. Apretar la tuerca hexagonal encima de la arandela de seguridad para que queden bien ajustados.

Conectar el cable **NEGRO** (o **AZUL**) de la caja de encendido al cable **NEGRO** del conector para el juego de luz. Conectar el cable **BLANCO** de la caja de encendido al cable **ROJO** del conector para el juego de luz. Asegurarse de que las conexiones tipo moxex se cierren bien con un clic.

Pasar la cadena rotulada VENTILADOR (FAN) en la caja de encendido por el agujero correspondiente rotulado VENTILADOR en el conector para el juego de luz. Pasar la cadena rotulada LUZ (LIGHT) en la caja de encendido por el agujero correspondiente rotulado LUZ en el conector para el juego de luz.

Cuidadosamente arreglar el cableado dentro de la cubierta de la caja de encendido. Alinear los agujeros en la cubierta de la caja de encendido con los agujeros en la caja de encendido. (**Nota:** La abertura en el borde superior de la cubierta de la caja de encendido debe alinearse con el interruptor de reversa en la caja de encendido para que se ajuste bien). Volver a introducir los tornillos que se quitaron anteriormente y apretarlos con un destornillador de estrella Phillips.

Para fijar la pantalla de vidrio, alinear las ranuras en la pantalla de vidrio con los nódulos dentro del conector para el juego de luz y empujar suavemente la pantalla de vidrio hacia arriba. Luego, girar la pantalla de vidrio hacia la DERECHA (en el sentido de las agujas del reloj) hasta que deje de girar. **NOTA: SUAVEMENTE** jalar hacia abajo la pantalla de vidrio para asegurarse de que esté sujeta.



*NOTA: Se han hecho pruebas en este equipo y se ha comprobado que cumple con los límites para un aparato digital de clase B, de acuerdo con la Parte 15 de las Reglas de la FCC. Se concibieron estos límites para proveer protección razonable contra la interferencia adversa en una instalación residencial. Este equipo produce, usa y puede radiar energía de radiofrecuencia y, si no se instala y no se usa según las instrucciones, puede causar interferencia adversa en la radiocomunicación. Sin embargo, no hay ninguna garantía de que no habrá interferencia en una instalación en particular. Si este equipo sí causa interferencia adversa en la recepción de radio o televisión, que se puede determinar apagando y prendiendo el equipo, se le urge al usuario a intentar rectificar la interferencia tomando una o más de las medidas que siguen:

- * Orientar la antena de nuevo o localizarla en otro sitio.
- * Aumentar la separación entre el equipo y el receptor.
- * Conectar el equipo a un tomacorriente en un circuito distinto al cual está conectado el receptor.

Solicitar ayuda del distribuidor o un técnico de radio/televisión.

10. Verificación del funcionamiento del ventilador.

Se le recomienda poner el ventilador a prueba antes de terminar la instalación. Regresar la corriente de electricidad en el cortacircuitos y encender el interruptor de la luz en la pared (si se aplica). Verificar las velocidades del ventilador con la cadena de encendido en la caja de encendido. Empezar en estado de APAGADO (sin movimiento de las aspas). Con el primer tirón el ventilador estará en marcha ALTA. El segundo tirón controla el ventilador para que se baje a marcha MEDIA. El tercer tirón bajará el ventilador a marcha BAJA. Con el cuarto tirón se APAGARÁ el ventilador de nuevo (**diagrama 1**). Si el ventilador y/o la luz no funciona, favor de referirse a la sección "Localización de fallas" para resolver cualquier asunto antes de comunicarse con el Servicio al cliente.

Apagar el ventilador completamente *antes* de mover el interruptor de reversa. Regularlo para que circule bien el aire dependiendo de las estaciones del año:

- posición ABAJO en verano (**diagrama 2**)
- posición ARRIBA en invierno (**diagrama 3**)

Un ventilador de techo le permitirá subir el termostato en verano y bajarlo en invierno sin notar una diferencia en su comodidad.

Importante: Hay que mover el interruptor de reversa o *completamente* hacia ARRIBA o *completamente* hacia ABAJO para que funcione el ventilador. Si el interruptor de reversa está puesto en la posición *de en medio* (**diagrama 4**), no funcionará el ventilador.

Fijar las extensiones para las cadenas de encendido provistas a las cadenas de encendido o usar unas hechas a medida (a la venta por separado).

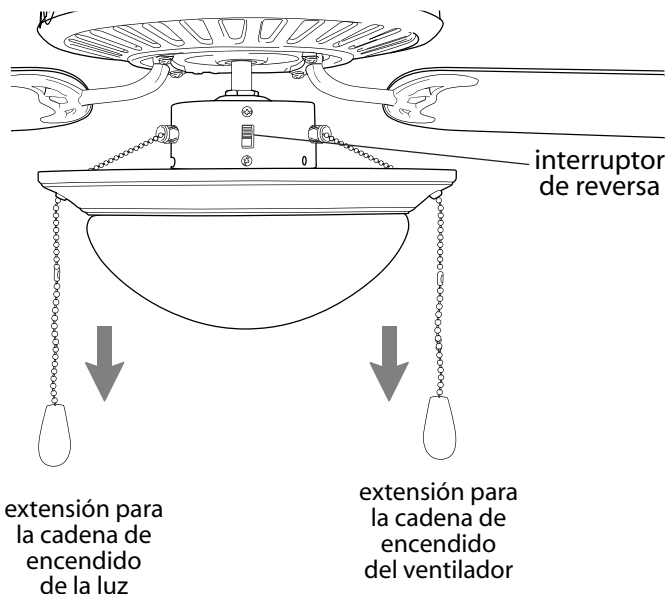


diagrama 1

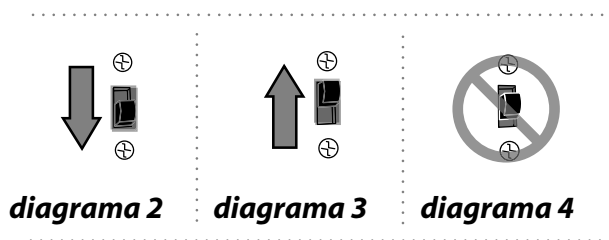


diagrama 2

diagrama 3

diagrama 4

Localización de fallas.

ADVERTENCIA: El no desconectar el suministro de fuerza eléctrica antes de hacer localización de fallas para cualquier problema de instalación eléctrica puede causar lesiones graves.

Problema: El ventilador no funciona.

Soluciones:

1. Inspeccionar el interruptor de pared del ventilador.
2. Verificar que el interruptor de reversa del ventilador está en una sola posición, no en medio de las dos.
3. Verificar la instalación eléctrica del ventilador.

Problema: El juego de luz (opcional) no se ilumina.

Soluciones:

1. Inspeccionar el interruptor de pared del ventilador.
2. Verificar que se hizo correctamente la conexión de cables en la cubierta decorativa.
3. Asegurarse de que se conectaron bien las conexiones tipo "molex" en el conector para el juego de luz.

Problema: El ventilador funciona pero la luz no.

Soluciones:

1. Verificar que se hizo correctamente la conexión de cables en la cubierta decorativa.
2. Asegurarse de que se conectaron bien las conexiones tipo "molex" en el conector para el juego de luz.

Problema: El ventilador se tambalea.

Soluciones:

1. Usar el juego para balancear las aspas incluido en uno de los paquetes de artículos de ferretería. *Si no se incluye un juego para balancear las aspas, llamar al Servicio al cliente, al 1-800-486-4892, para pedir uno.*
2. Averiguar que se apretó (apretaron) bien el (los) tornillo(s) de fijación en el cuello del bastidor del motor.
3. Averiguar que se apretó bien el tornillo de fijación en la bola que sirve para colgar.

Piezas de repuesto.

Para piezas o información, referirse al "Inventario de piezas" en la página 2.

Servicio al cliente de Craftmade:

1-800-486-4892

www.craftmade.com

Garantía.

GARANTIA LIMITADA DE POR VIDA DE CRAFTMADE:

CRAFTMADE garantiza este ventilador al comprador original de grupo familiar para uso interior con las siguientes condiciones:

GARANTIA DE 1 AÑO: CRAFTMADE reemplazará o reparará cualquier ventilador que tenga funcionamiento deficiente debido a defectos en los materiales o trabajo manual.

Comunicarse con el Servicio al cliente de CRAFTMADE al **1-800-486-4892** para acordar el reenvío del ventilador.

Devolver el ventilador, con los gastos de envío prepagados, a Craftmade. Nosotros repararemos o reemplazaremos el ventilador y pagaremos los gastos de envío de regreso.

GARANTIA DE 5 AÑOS: CRAFTMADE reemplazará o reparará sin costo al comprador original, cualquier motor de ventilador que no funcione de manera satisfactoria a causa de uso normal.

DEVOLVER EL MOTOR SOLAMENTE, los gastos de envío prepagados, a Craftmade. Nosotros repararemos el motor al comprador o le enviaremos uno de reemplazo y Craftmade pagará los gastos de envío de regreso.

GARANTIA LIMITADA DE 6 AÑOS hasta DE POR VIDA:

CRAFTMADE reparará el ventilador, sin costo al comprador original por el costo laboral, si el motor del ventilador no funciona satisfactoriamente a causa del uso normal. Las piezas que se utilizan en hacer la reparación serán facturadas al comprador a los precios prevalecientes en el momento de la reparación.

El comprador original será responsable de todos los gastos incurridos en sacar, reinstalar y enviar el producto para reparación.

Esta garantía no se aplica cuando el ventilador tenga daños por abuso mecánico, físico, eléctrico o por agua resultando en su mal funcionamiento. Se exenta específicamente el deterioro en el acabado u otras partes debido al tiempo o exposición al aire marino bajo esta garantía.

Ni Craftmade ni el fabricante se harán responsables por lo que pasa por una instalación inadecuada o el uso impropio de este producto. La compañía no se hará responsable en ningún caso de ningún daño emergente por incumplimiento de esta o cualquier otra garantía expresada o implicada en absoluto. Esta limitación de daños emergentes no se aplicará en estados donde es prohibido.

CRAFTMADE